



For further Models please visit www.fiche-man.com

Or

email sales@fiche-man.com

This CD is subject to Copyright and may only be distributed by the above Source



PARTS CATALOGUE

Part of fiche set 3852120, Issue 15, 10/98

THUNDERBIRD SPORT

PREPARED BY
TRIUMPH DESIGNS LIMITED
JACKNELL ROAD, DODWELLS BRIDGE INDUSTRIAL ESTATE, HINCKLEY,
LEICESTERSHIRE LE10 3BS, ENGLAND

This document is protected by copyright and may not, in whole or part be stored in a retrieval system, or transmitted in any form or by any means, copied, photographed, photocopied, translated or reduced to any machine readable form without the prior consent in writing of Triumph Designs Limited. All rights reserved. © 1998 Triumph Designs Limited

FOREWORD

WARNING: Only Triumph approved parts should be used to service, repair or convert Triumph motorcycles. To ensure that Triumph approved parts are used, always order parts, accessories and conversions from an authorised Triumph dealer. The fitting of non-approved parts, accessories or conversions may adversely affect the handling, stability or other aspects of the motorcycle operation which may result in an accident causing serious injury or death.

WARNING: Always have Triumph approved parts, accessories and conversions fitted by an authorised Triumph dealer. The fitting of parts, accessories and conversions by a dealer who is not an authorised Triumph dealer may affect the handling, stability or other aspects of the motorcycle operation which may result in an accident causing serious injury or death.

WARNING: Always have Triumph approved parts, accessories and conversions fitted by a trained technician. To ensure that a trained technician is used, have an authorised Triumph dealer fit the parts. The fitting of parts, accessories and conversions by personnel other than a trained technician at an authorised Triumph dealer may affect the handling, stability or other aspects of the motorcycle operation which may result in an accident causing serious injury or death.

PART NUMBERS

Part numbers used in this parts catalogue must not be abbreviated or added to in any way. In all cases the complete number, including any prefix or suffix must be quoted on the order.

CAUTION: If the part number appearing on your order is changed in any way from that quoted in the catalogue, your order will be delayed or rejected.

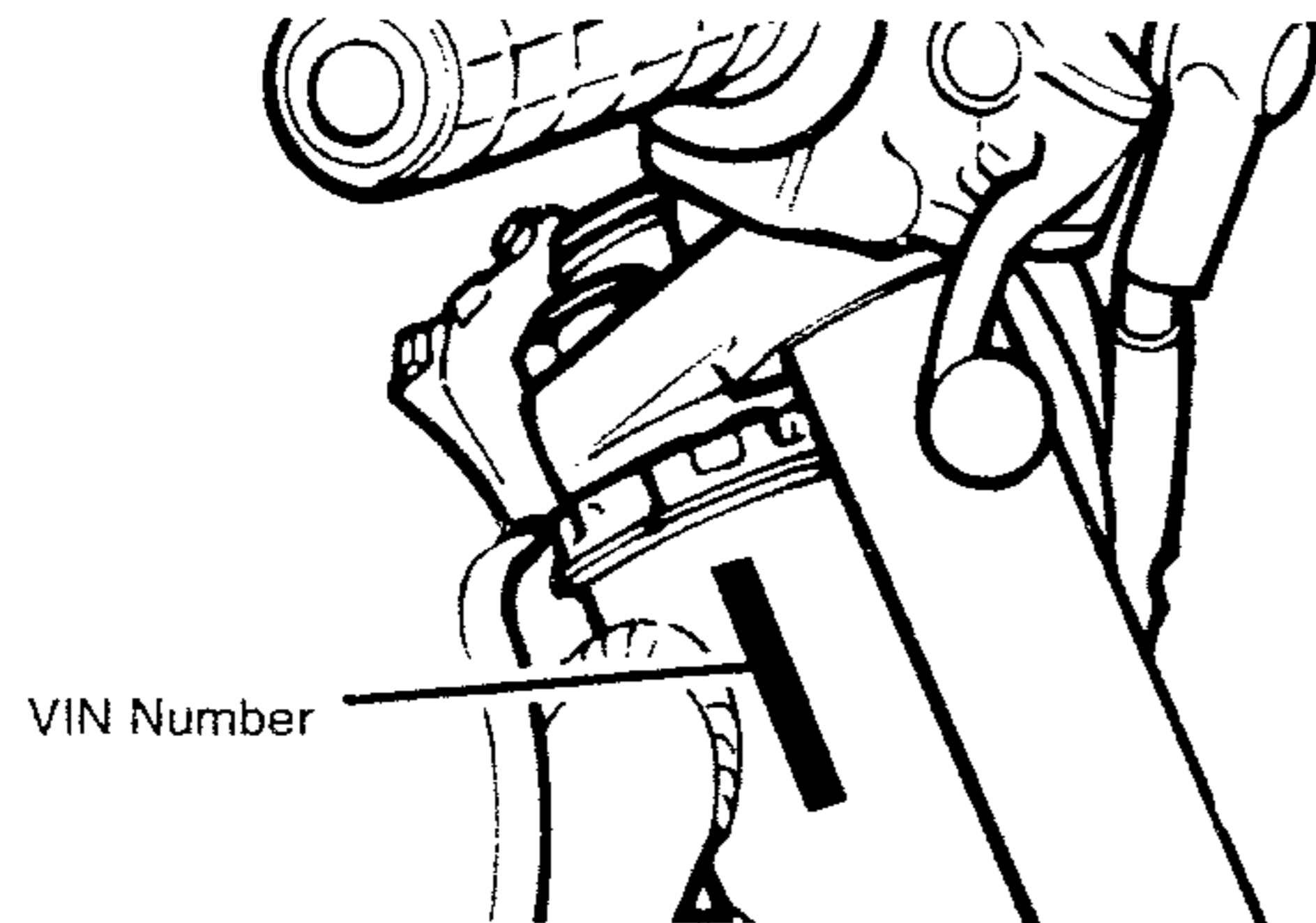
The first 3 digits of a part number identify the component/system area of the motorcycle from which they are derived. For example, a part beginning with the numbers 202 will always be a braking system part. The table below gives an overview of this numbering system.

No:	Area	No:	Area	No:	Area	No:	Area
110	Crankshaft	120	Balancers	201	Rear Wheel	250	Electrical
111	Connecting Rods	121	Lubrication	202	Brakes	270	Lighting
112	Pistons	122	Aux. Gears	204	Fork/Handlebar	300 to 375	Fixings, rivets, flanged sleeves, washers, circles, nuts, bolts, tape, studs, bushes, socket screws, inserts, clips, ties etc.
113	Valve gear	123	Sump	205	Rear Suspension		
114	Camshaft	124	Carburettors	207	Frame		
115	Cylinder Head	126	Engine Covers	208	Foot Controls		
116	Crankcase	129	Ignition System	210	Cooling System		
117	Clutch	130	Alternator	220	Airbox/Exhaust		
118	Gears	131	Starter Motor	230	Bodywork		
119	Gear Selectors	200	Front Wheel	240	Fuel System		

VIN NUMBER

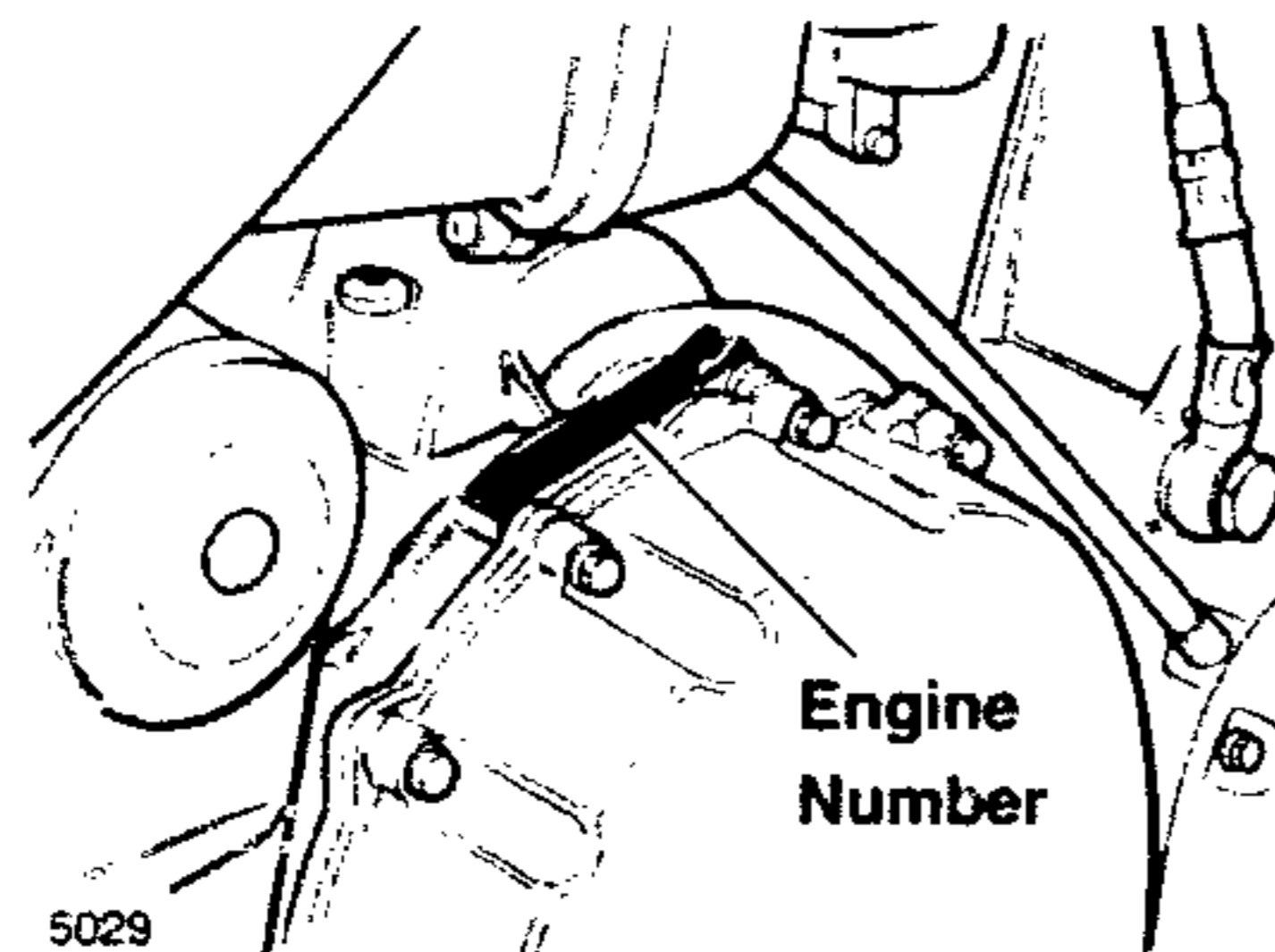
In some cases, correct selection of a part depends on matching of the vehicle identification number (VIN) of the motorcycle to a range of VIN numbers in the catalogue. It is essential that the VIN number be correctly matched with the information given in the catalogue in order to make correct selection of spare parts. Generally, only the final six digits of the VIN number will be required. The VIN number can always be found in two places on the motorcycle.

- **OUTSIDE USA:** The vehicle identification number is stamped into the right side of the steering head and on a plate situated on the head brace on the right hand side of the frame.
- **USA:** The vehicle identification number is stamped into the right side of the headstock. The vehicle identity number is also printed on a label on the headstock.



ENGINE NUMBER

In some cases, correct selection of a part depends on matching of the engine number of the motorcycle to a range of engine numbers in the catalogue. It is essential that the engine number be correctly matched with the information given in the catalogue in order to make correct selection of spare parts. The engine number can always be found stamped on a casting feature in the upper crankcase. The feature is located just above the clutch cover on the right hand side of the motorcycle.



COUNTRY CODES USED IN THIS PARTS CATALOGUE

Where necessary, a two letter code is used to denote parts which are applicable to one or more countries. Where a country code is used, the parts concerned must only be sold within the country concerned. The codes are as follows.

CODE	COUNTRY	CODE	COUNTRY
AR	ARGENTINA	JP	JAPAN
AU	AUSTRALIA	MY	MALAYSIA
BR	BRAZIL	NL	HOLLAND-BELGIUM
CA	CANADA	PT	PORTUGAL
Ch	SWITZERLAND	SE	SWEDEN
CY	CYPRUS	SG	SINGAPORE
DE	GERMANY	TH	THAILAND
ES	SPAIN	NO	NORWAY
FR	FRANCE	NZ	NEW ZEALAND
GR	GREECE	UK	UNITED KINGDOM
HK	HONG KONG	US	UNITED STATES
IT	ITALY	ZA	SOUTH AFRICA

IDENTIFICATION WITHIN USA

In some cases, parts denoted as for the USA may be specified as applicable only in certain states. These state by state applications are annotated as follows.

US Applicable to all states.

US 49 state Applicable to all states except California.

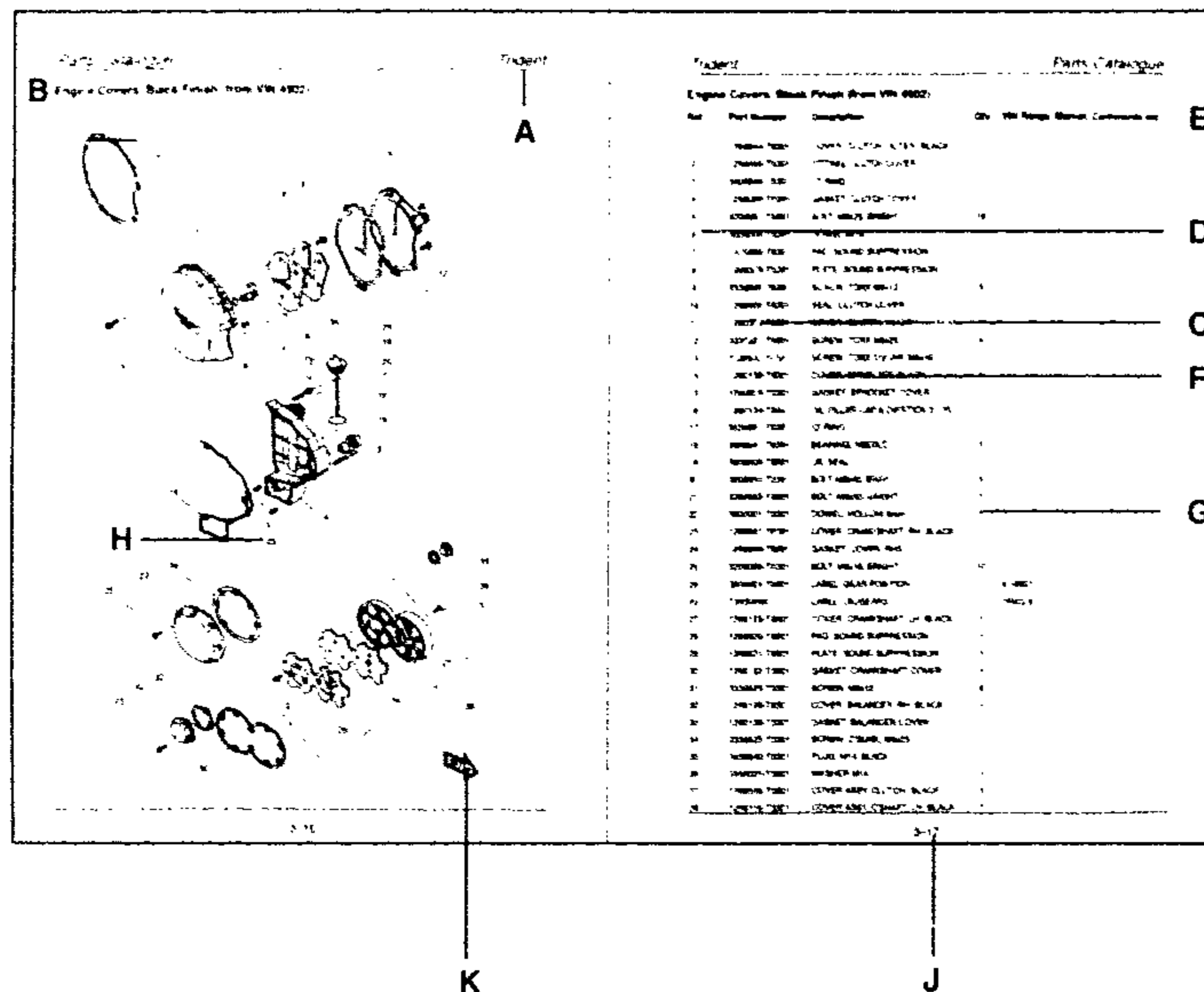
US CAL Applicable only in the state of California.

WARNING LABELS

Certain parts of the motorcycle carry warning labels for the advice and guidance of the rider. Please ensure that where a component which carries a warning label is ordered, the appropriate warning label is also ordered, fitted to the host part, and supplied to the customer.

WARNING: Failure to supply and fit a warning label as directed above may ultimately lead to a dangerous riding condition resulting in an accident causing serious injury or death.

PARTS CATALOGUE FORMAT



The parts catalogue consists of a series of numbered sections which contain parts information on related component groups. There are 14 of these sections in the parts catalogue.

Each model within the Triumph range is allocated a separate parts catalogue. Because of this, it is essential to order parts from the catalogue which is specific to the model being repaired, converted or serviced.

WARNING: Ensure that the correct catalogue has been used before ordering parts. Selection and subsequent fitment of parts from an incorrectly selected catalogue may affect the handling, stability or other aspects of the motorcycle operation which may result in an accident causing serious injury or death.

In all sections, the parts are illustrated on the left hand (even numbered) pages and the key to the illustrations can always be found on the right hand (odd numbered) pages.

Remember, in some cases, all the parts depicted in an illustration cannot be described on the page facing the illustration. In this case, the information is continued on the next pair of facing pages and the illustration repeated.

Refer to the following page for an explanation of the illustration above

PARTS CATALOGUE FORMAT

- A Model** Indicates the model to which the catalogue applies (see warning on previous page).
- B Page Title** Indicates the group of components which appear on the page.
NOTE: In some cases, the title bar will also give further information about the components on the page. This additional information may refer to such things as colour, engine cylinder configuration or VIN/Engine number range. Always pay particular attention to the title bar for this additional information.
- C Part Number** Indicates the part number to use when ordering spare parts. Remember that all the number, including any prefix or suffix, must be used when ordering.
- D/H Reference Number** Links the illustration to the part number. The reference number will be repeated if there is more than one choice of part with the same reference number. Remember, the illustration is for visual recognition only and may differ in minor detail from the actual part.
- E Additional Information** In this column various additional information will be given. This information may include:
 - ... the markets (countries) in which the part may be applied,
 - ... the VIN or engine number range to which it may be applied, (this may be in addition to VIN or engine number information already given in the title bar)
 - ... colour information,
 - ... other essential information.

VIN/engine number information is given as follows:

 - ◆ 3000 indicates a part that may be used on motorcycles up to and including VIN/engine number 3000.
 - 3001 ◆ 4000 indicates a part that may be used on motorcycles from VIN/engine number 3001 up to VIN/engine number 4000 (including VIN/engine numbers 3001 & 4000).
 - 4001 ◆ indicates a part that may be used on motorcycles including and beyond VIN/engine number 4001

NOTE: to differentiate engine numbers from VIN numbers, engine numbers will always be written in italics and will carry the prefix 'eng No'. VIN numbers will not be prefixed. For example:

 - ◆ 3000 can be identified as a VIN number as it has no prefix and is NOT written in italics.
 - ◆ *eng No 3000* can be identified as an engine number as it has the 'eng No' prefix and IS written in italics.

NOTE: where no VIN/engine number range is specified in either the title bar or in the space for additional information, the part is applicable to all VIN/engine numbers.
- F Description** Gives a brief description of the part.
- G Quantity** Indicates the quantity per motorcycle. The quantity ordered need not reflect this quantity and the information is given as a reference guide only. Where the same part is used on both 4 and 3 cylinder engines, the first quantity given is for the 4 cylinder version.
- J Page number** Page numbers are always prefixed by the section number. For example, the page number 4-16 indicates page sixteen of section four. Each section is numbered from page 1 which will always be the index to that section.
- K Arrow** Indicates the orientation of the parts in relation to a complete motorcycle

PAINT CODES

In certain instances, though not always, a part number for a painted panel will be followed by a two letter code which denotes the panel colour. When ordering painted panels it is essential to include these code letters in your order. The following paint colour codes are included in the Triumph range of parts catalogues:

CODE	COLOUR	CODE	COLOUR
CA	LANCASTER RED	JA	CARIBBEAN BLUE
CB	RADIANT RED	JB	OXFORD BLUE
CE	CANDY APPLE RED	JC	MIDNIGHT BLUE
CF	PIMENTO RED	JD	CASPIAN BLUE
CG	CINNABAR RED	JE	BARRACUDA BLUE
CH	MERLOT RED	JH	AEGEAN BLUE
CJ	RUBY RED	JI	PACIFIC BLUE
CK	CHILLI RED	JJ	COBALT BLUE
CL	CARDINAL RED	JK	TURQUOISE
CM	TORNADO RED	JL	TURQUOISE MICA
CN	VOLCANIC RED	KD	NIGHTSHADE
EB	FIREBALL ORANGE	KE	VIOLET
EC	AMBER	LA	CHARCOAL GREY
ED	LUCIFER ORANGE	MD	QUICKSILVER
FA	RACING YELLOW	ME	SILVER
FB	STRONTIUM YELLOW	NE	IVORY
FC	LIGHTNING YELLOW	PA	ASSAM BLACK
GA	SANDSTORM	PB	CHERRY BLACK
GC	HERITAGE GOLD	PC	DIABLO BLACK
GD	COPPER	PG	JET BLACK
GE	PLATINUM	PP	OBSIDIAN BLACK
HA	BRITISH RACING GREEN	TA	BURGUNDY
HD	HERITAGE GREEN	TB	CHERRY RED
HE	IMPERIAL GREEN	TC	AUBERGINE
HF	KHAKI	VA	CREAM
HG	ROULETTE GREEN		

Where no two letter code appears, the first seven digits of the part number denotes the panel colour. Examples of each type of painted panel part number appear below:-

1 2304009-T0301 . . . COCKPIT FAIRING 1 . . . BRITISH RACING GREEN
 1 T2304039-KD . . . COCKPIT FAIRING 1 . . . NIGHTSHADE

CATALOGUE SECTION INDEX

- Section 1** . . . Cylinder head, valves, pistons, liners, camshaft & balancers
- Section 2** . . . Clutch and transmission including gearchange mechanism.
- Section 3** . . . Crankcase, engine covers and engine lubrication system
- Section 4** . . . Fuel and exhaust system.
- Section 5** . . . Cooling system.
- Section 6** . . . Front suspension and steering including clutch master cylinder.
- Section 7** . . . Rear swinging arm & rear suspension
- Section 8** . . . Braking system.
- Section 9** . . . Wheels, tyres & final drive.
- Section 10** . . . Frame, footrests, engine mountings, stands and tool kit
- Section 11** . . . Electrical system.
- Section 12** . . . Bodywork, bodywork fixings and decals.
- Section 13** . . . Service tools, literature and touch-up paint.
- Section 14** . . . Part number index.

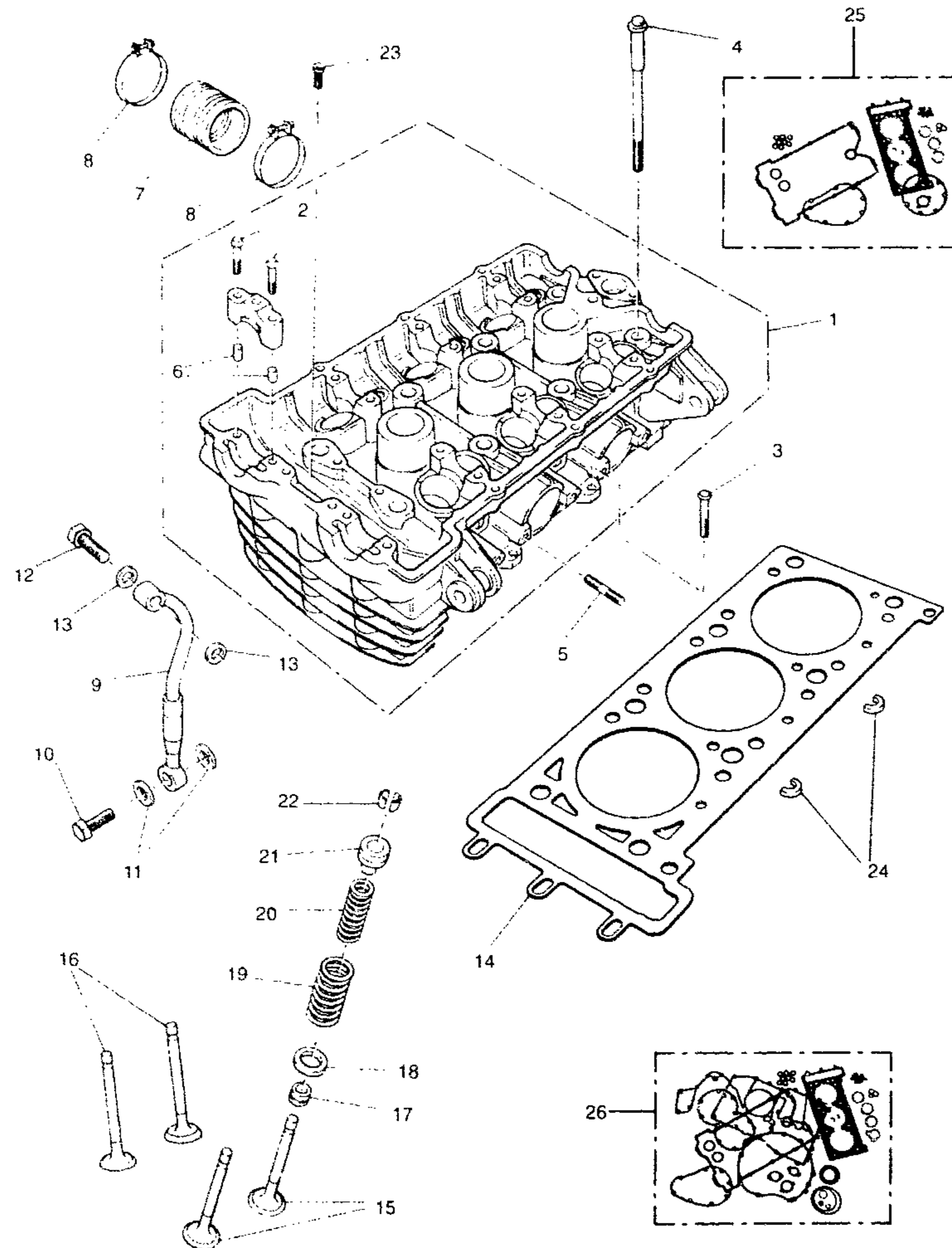
SECTION 1

COMPONENT GROUP	FRAME No:
Cylinder Head & Valves	Frame 1-2
Camshaft & Camshaft Drive	Frame 1-3
Camshaft & Camshaft Drive Cont'd	Frame 1-4
Crankshaft, Connecting Rods, Pistons & Liners	Frame 1-5
Balancer	Frame 1-6

**SEE
NEXT
FRAME**

Cylinder Head & Valves

Cylinder Head & Valves

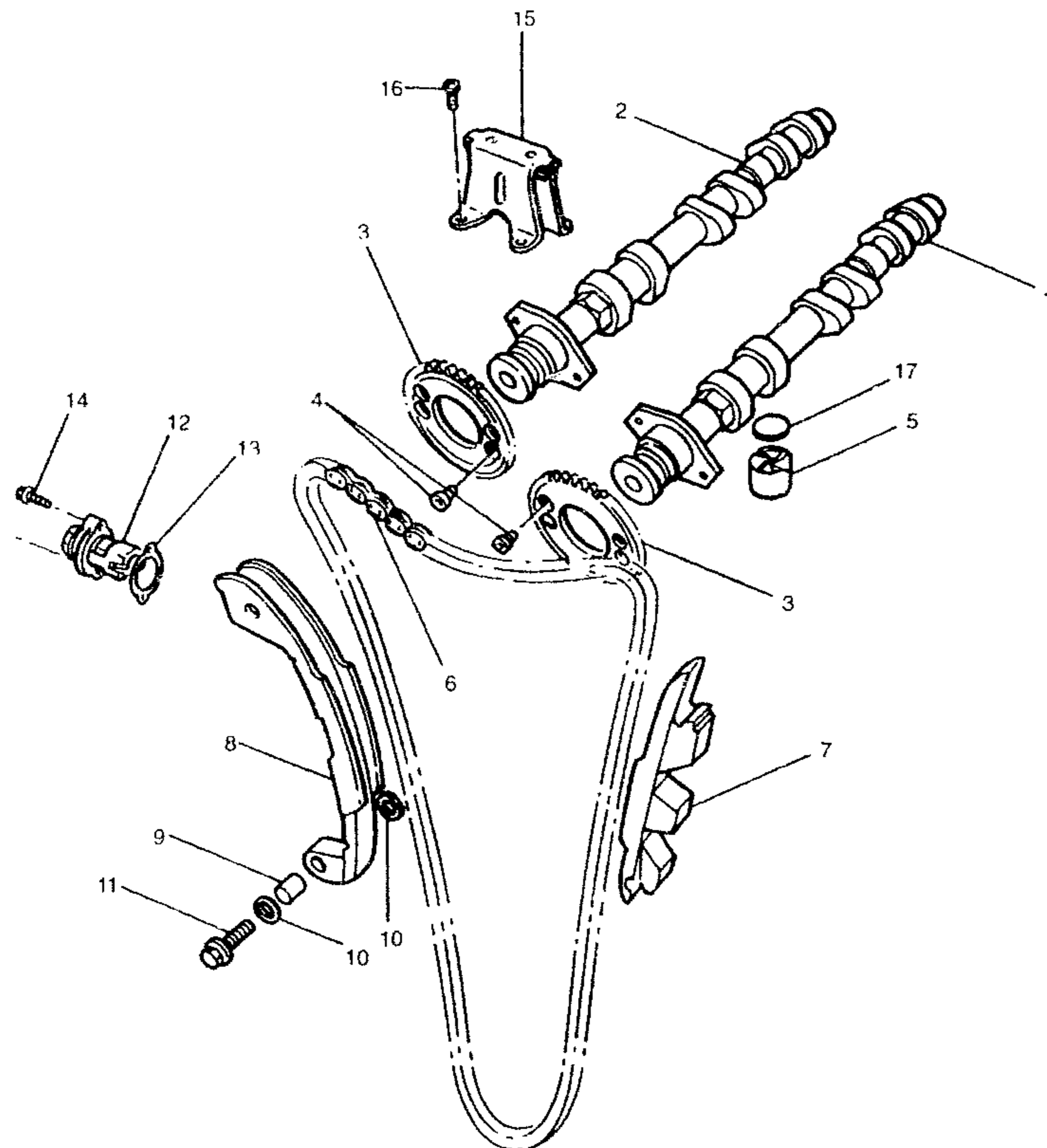


Ref	Part Number	Description	Qty	VIN Range. Market. Comments etc.
1	T1150555	CYLINDER HEAD, SUB ASSY	1	
2	3330025-T0301	SCREW M6 x 40	16	
3	3330004-T0301	SCREW, M6 x 25	2	
4	T1160355	BOLT, CYLINDER HEAD	8	
5	3100001-T0301	STUD, EXHAUST	6	
6	3000001-T0301	DOWEL, HOLLOW, 8mm	16	
7	T1240086	RUBBER, CARB TO HEAD	3	
8	3700003-T0301	CLIP, CARB TO HEAD RUBBER	6	
9	1210476-T0301	OIL PIPE, CAM FEED	1	
10	T1210468	BANJO BOLT, M14	1	
11	3550047-T0301	WASHER, M14	2	
12	T1210467	BANJO BOLT, M10	1	
13	3550045-T0301	WASHER, M10	2	
14	T1150309	GASKET CYL HEAD, 3 CYL	1	
15	T1130165	VALVE, EXHAUST	6	
16	T1130160	VALVE, INLET	6	
17	3600004-T0301	OIL SEAL, VALVE STEM	12	
18	T1130170	WASHER, THRUST	12	
19	1130115-T0301	SPRING, VALVE (OUTER)	12	
20	T1130125	SPRING, VALVE (INNER)	12	
21	1130050-T0301	CUP, VALVE SPRING	12	
22	1130060-T0301	COLLET, VALVE	24	
23	T3050058	CAPSCREW, M6 x 20	3	
24	1150016-T0301	SPACER, CYL' HEAD GASKET	2	
25	3990060-T0301	GASKET SET, CYLINDER HEAD	1	
26	T3990052	GASKET SET, FULL	1	



Camshaft & Camshaft Drive

Camshaft & Camshaft Drive



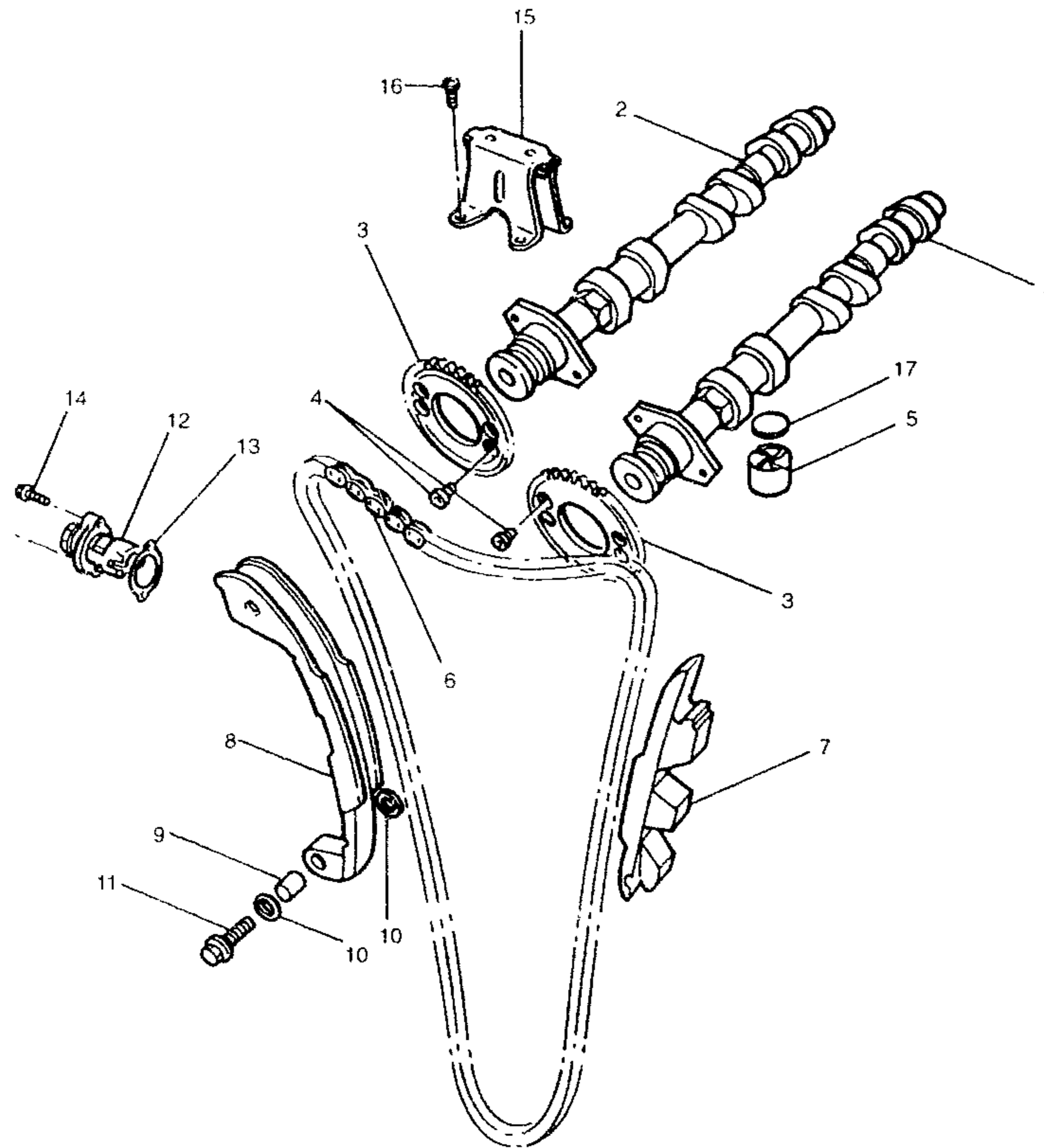
Ref	Part Number	Description	Qty	VIN Range, Market, Comments etc.
1	1140430-T0301	CAMSHAFT, EXHAUST, 3 CYL	1	
2	1140410-T0301	CAMSHAFT, INLET, 3 CYL	1	
3	1140020-T0301	SPROCKET, CAMSHAFT	2	
4	3330014-T0301	SCREW, M6 x 12	4	
5	T1130065	BUCKET, TAPPET	12	NO LONGER GRADED
6	1140211-T0301	CHAIN, CAM DRIVE 146L	1	
7	T1140004	BLADE, RUBBING, CAMCHAIN	1	
8	1140040-T0301	BLADE, TENSIONER, CAMCHAIN	1	
9	1140110-T0301	TUBE, TENSIONER	1	
10	3550029-T0301	WASHER, M8 (HARDENED)	2	
11	3200028-T0301	BOLT, M8 x 30	1	
12	1140183-T0301	TENSIONER ASSY	1	
13	1140185-T0301	GASKET, TENSIONER	1	
14	T3202020	BOLT, DOMED M6 x 20	2	
15	1140190-T0301	TOP PAD	1	
16	T3330071	SCREW, M6 x 12	4	
17	1130220-TC301	SHIM, TAPPET 2.20	A/R	
17	T1130222	SHIM, TAPPET 2.225	A/R	
17	1130225-T0301	SHIM, TAPPET 2.25	A/R	
17	T1130227	SHIM, TAPPET 2.275	A/R	
17	1130230-T0301	SHIM, TAPPET 2.30	A/R	
17	T1130232	SHIM, TAPPET 2.325	A/R	
17	1130235-T0301	SHIM, TAPPET 2.35	A/R	
17	T1130237	SHIM, TAPPET 2.375	A/R	
17	1130240-T0301	SHIM, TAPPET 2.40	A/R	
17	1130245-T0301	SHIM, TAPPET 2.45	A/R	
17	1130250-T0301	SHIM, TAPPET 2.50	A/R	
17	1130255-T0301	SHIM, TAPPET 2.55	A/R	
17	T1130257	SHIM, TAPPET 2.575	A/R	
17	1130260-T0301	SHIM, TAPPET 2.60	A/R	
17	T1130262	SHIM, TAPPET, 2.625	A/R	
17	1130265-T0301	SHIM, TAPPET 2.65	A/R	
17	T1130267	SHIM, TAPPET, 2.675	A/R	
17	1130270-T0301	SHIM, TAPPET 2.70	A/R	
17	T1130272	SHIM, TAPPET, 2.725	A/R	
17	1130275-T0301	SHIM, TAPPET 2.75	A/R	
17	T1130277	SHIM, TAPPET, 2.775	A/R	



Camshaft & Camshaft Drive

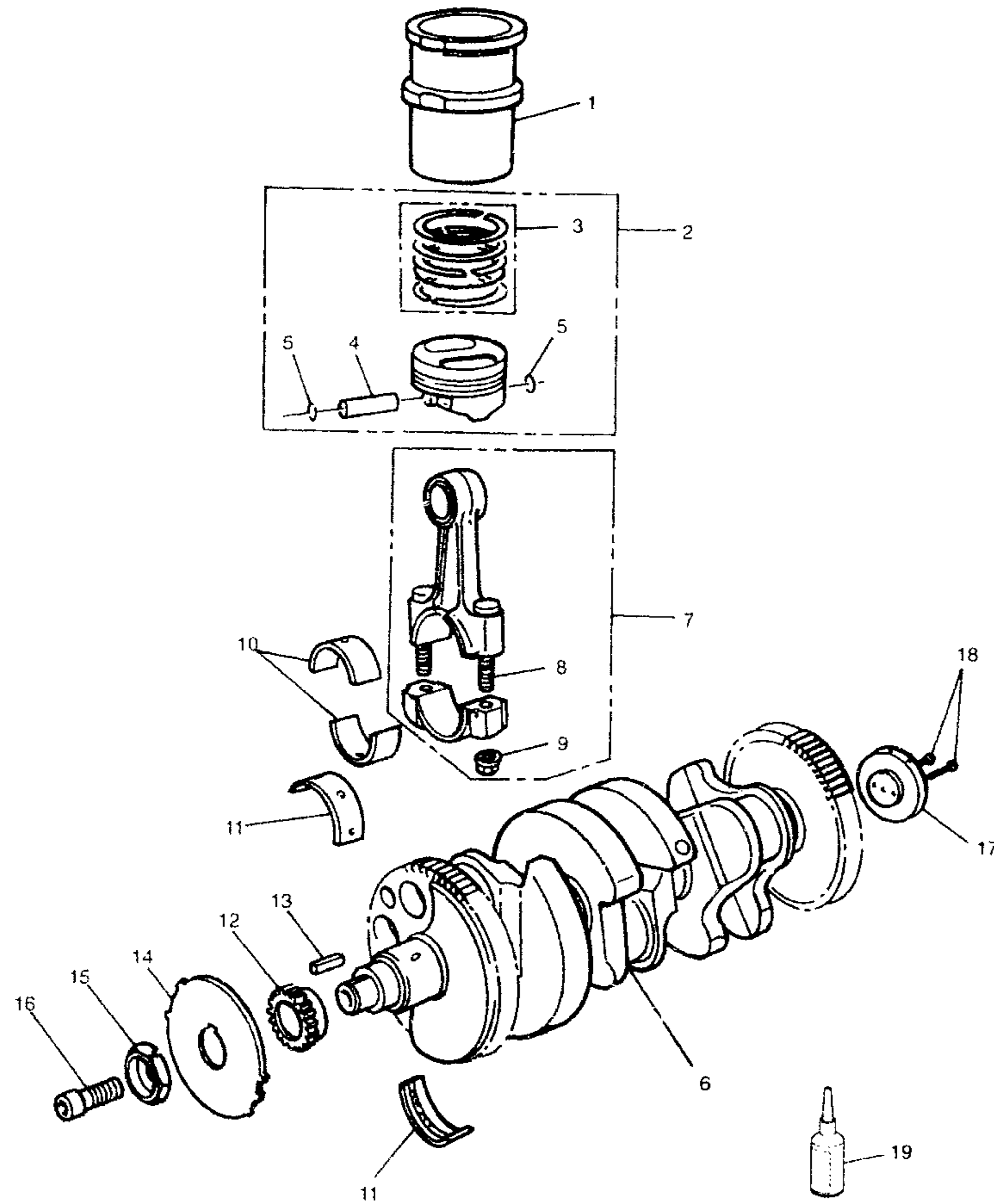
Camshaft & Camshaft Drive Cont'd

Ref	Part Number	Description	Qty	VIN Range. Market. Comments etc.
17	1130280-T0301	SHIM, TAPPET 2 80	A R	
17	T1130282	SHIM, TAPPET, 2 825	A R	
17	1130285-T0301	SHIM, TAPPET 2 85	A R	
17	T1130287	SHIM, TAPPET, 2 875	A R	
17	1130290-T0301	SHIM, TAPPET 2 90	A R	
17	T1130297	SHIM, TAPPET 2 975	A R	



Crankshaft, Connecting Rods, Pistons & Liners

Crankshaft, Connecting Rods, Pistons & Liners

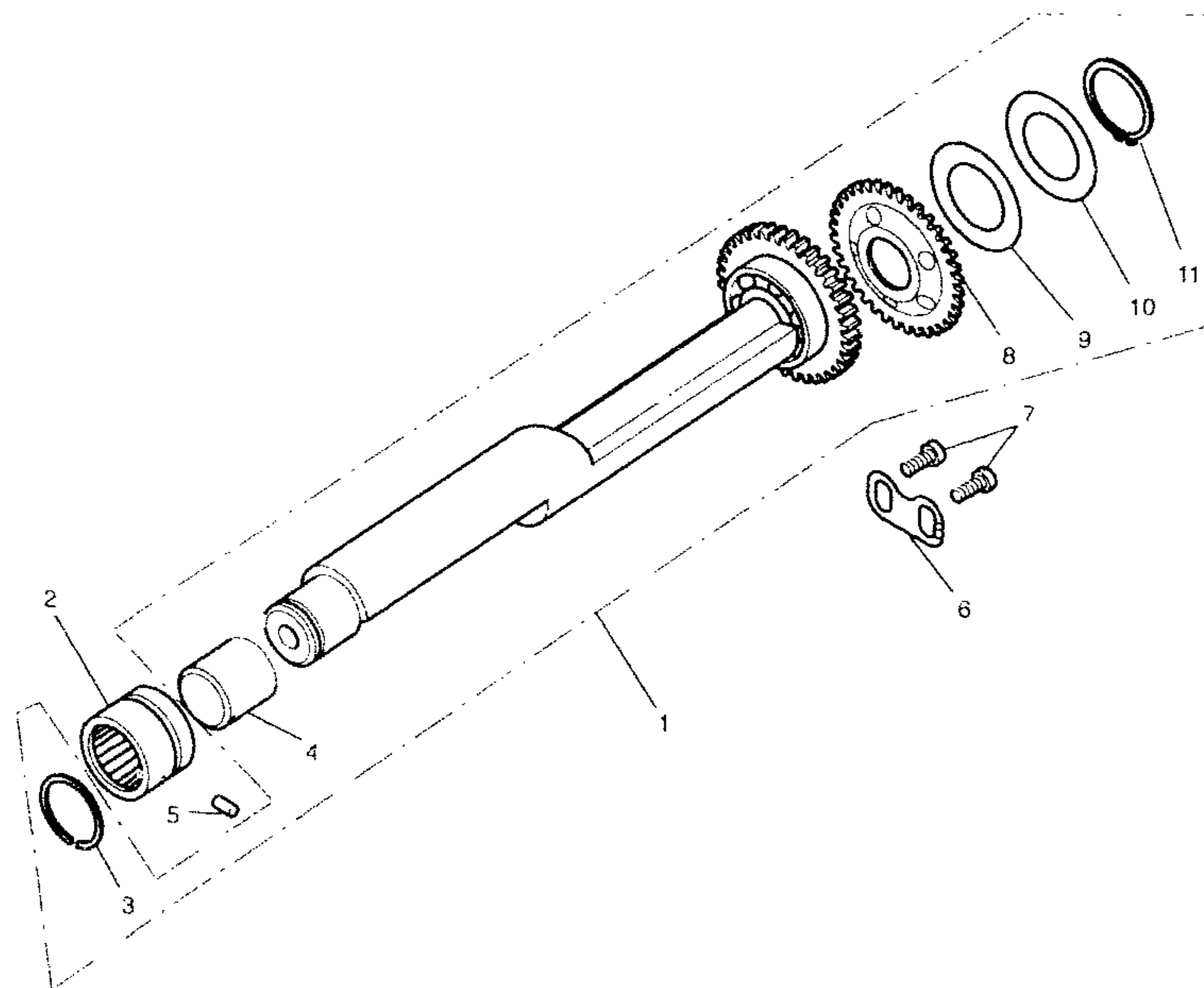


Ref	Part Number	Description	Qty	VIN Range. Market. Comments etc.
1	1160390-T0301	LINER, CYLINDER	2	CYLINDER Nos 1 & 3
1	1160395-T0301	LINER, CYLINDER	1	CYLINDER No 2
2	1120000-T0301	PISTON ASSY	2	CYLINDER Nos 1 & 3
2	1120002-T0301	PISTON ASSY	1	CYLINDER No 2
3	1120120-T0301	PISTON RING SET	3	
4	1120030-T0301	GUDGEON PIN	3	
5	1120015-T0301	CIRCLIP, PISTON	6	
6	1200400-T0301	CRANKSHAFT & GEAR	1	
7	1110150-T0301	CONNECTING ROD ASSY.	3	
8	1110060-T0301	BOLT, CON ROD	6	
9	1110015-T0301	NUT, CON ROD	6	
10	1110051-T0301	BEARING CON ROD, WHITE	6	WHITE
10	1110052-T0301	BEARING CON ROD, RED	6	RED
10	1110053-T0301	BEARING CON ROD, BLUE	6	BLUE
11	1160371-T0301	MAIN BEARING, WHITE	8	WHITE
11	1160372-T0301	MAIN BEARING, RED	8	RED
11	1160373-T0301	MAIN BEARING, BLUE	8	BLUE
11	1160374-T0301	MAIN BEARING, GREEN	8	GREEN
12	1140030-T0301	CRANK SPROCKET, HY-VO	1	
13	1100041-T0301	KEY, CRANKSHAFT	1	
14	T1290110	ROTOR, IGNITION, 3 CYL	1	
15	1100039-T0301	CLAMPING, SPACER	1	
16	T3050061	CAPSCREW, M8 x 20	1	
17	T1100100	CENTRIFUGAL BREATHER	1	
18	3330035-T0301	SCREW, TORX, M6 x 25	2	
19	T4000625	HYLOMAR	1	



Balancer

Balancer



Ref	Part Number	Description	Qty	VIN Range, Market, Comments etc.
1	1200500-T0301	BALANCER SHAFT ASSY	1	
2	3800021-T0301	BEARING NEEDLE	1	
3	3500014-T0301	CLIP RETAINING	1	
4	3800023-T0301	RING INNER	1	
5	3000070-T0301	DOWEL	1	
6	1200128-T0301	PLATE RETAINING	1	
7	T3330604	SCREW C'SK TORX M6 x 14	2	
8	1200335-T0301	GEAR, BALANCER, BACKLASH	1	
9	3550192-T0301	WASHER, PLAIN	1	
10	3550200-T0301	WASHER, CRINKLE	1	
11	3500016-T0301	GIRCLIP	1	

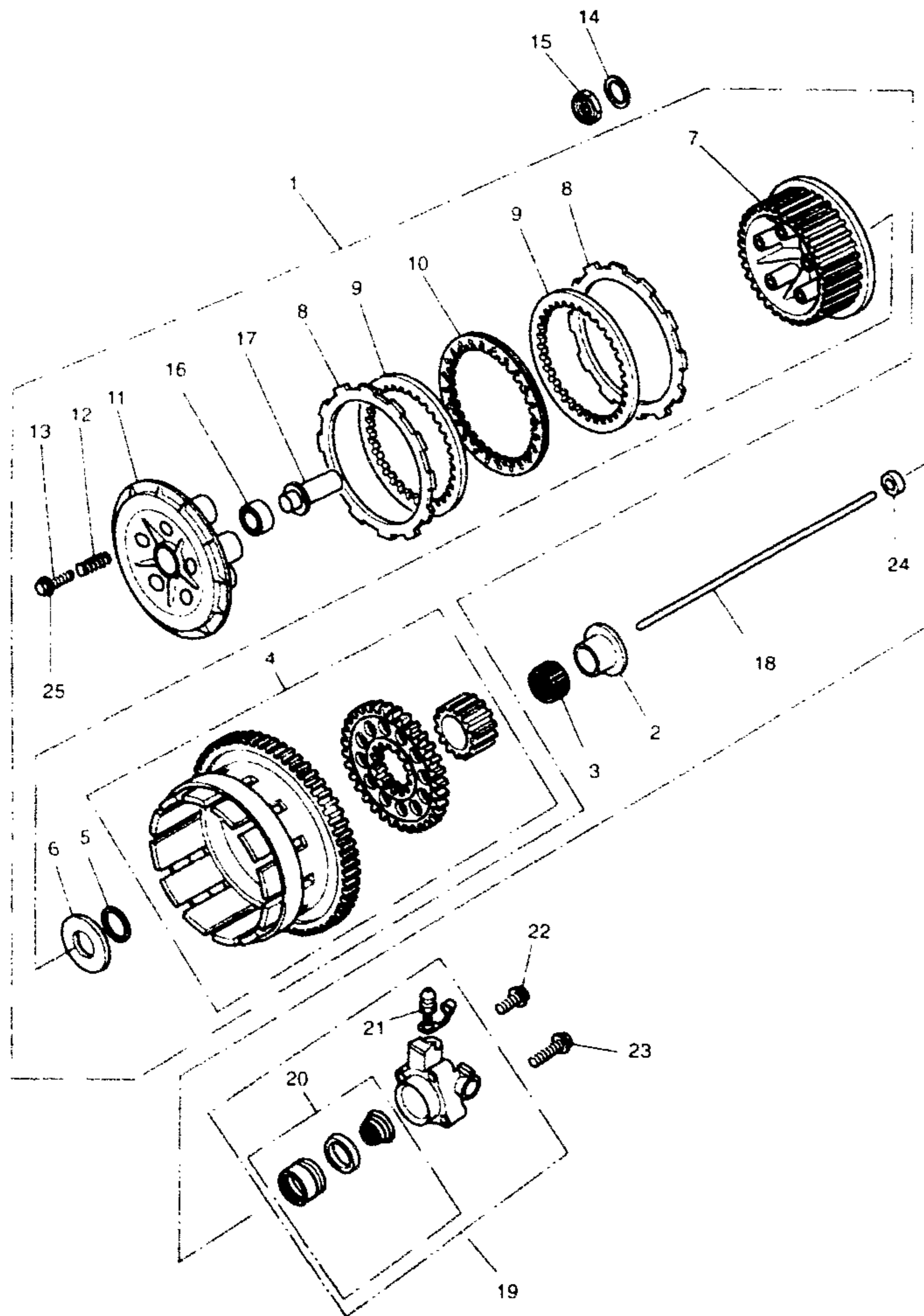


SECTION 2

COMPONENT GROUP	FRAME No:
Clutch	Frame 2-2
Transmission	Frame 2-3
Gear Selector Drum	Frame 2-4
Gear Change Pedal	Frame 2-5
Alternator & Starter Drive Gears	Frame 2-6

**SEE
NEXT
FRAME**

Clutch



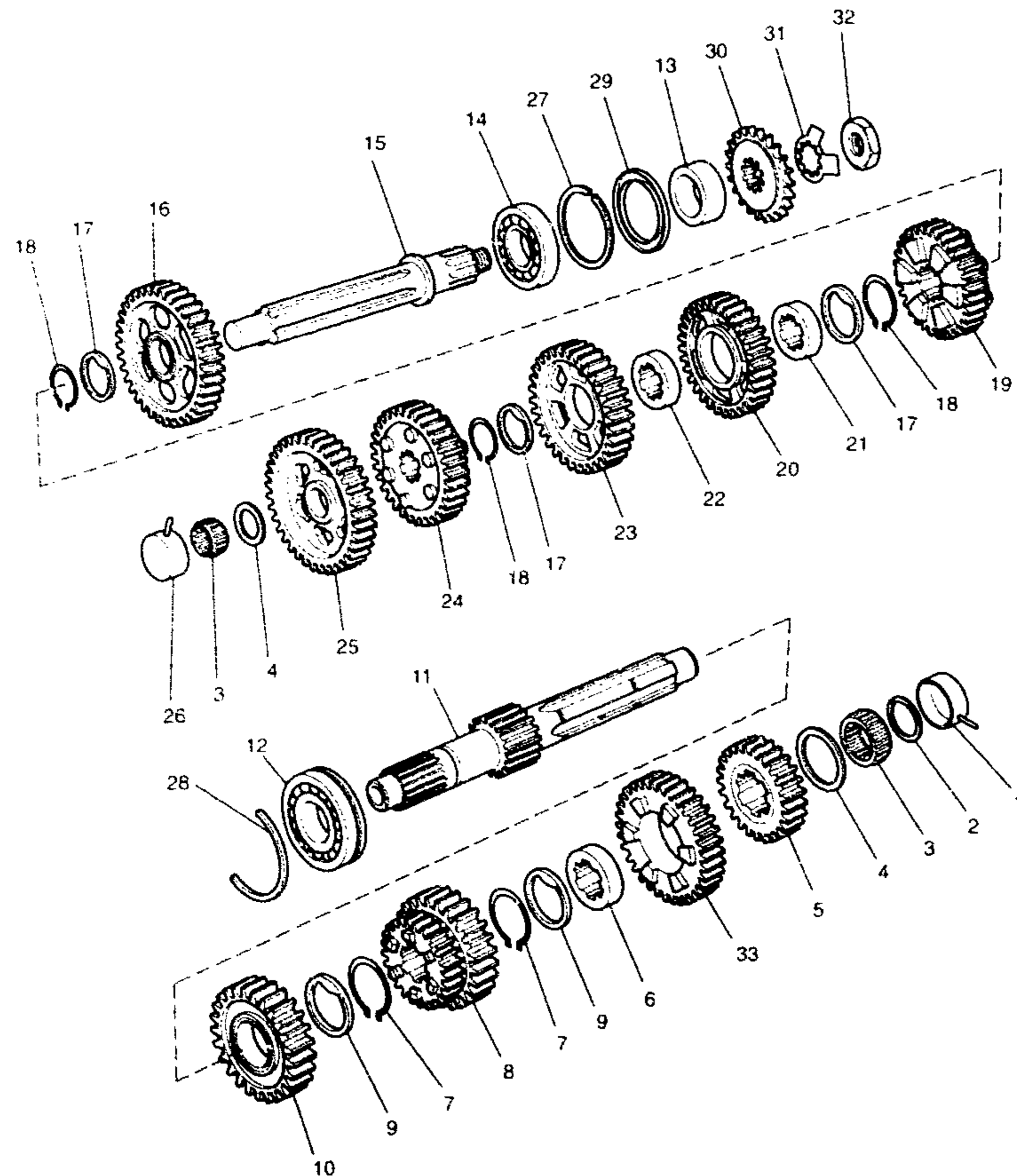
Clutch

Ref	Part Number	Description	Qty	VIN Range, Market, Comments etc.
1	T1170003	CLUTCH ASSY, 3 CYL	1	
2	1170090-T0301	BUSH	1	
3	3800035-T0301	BEARING, NEEDLE KT 35/30	1	
4	T1170371	CLUTCH BASKET ASSY	1	
5	1170310-T0301	SHIM, CLUTCH ASSY (0.10)	1	0.10mm THICK
5	1170315-T0301	SHIM, CLUTCH ASSY (0.15)	1	0.15mm THICK
5	1170320-T0301	SHIM, CLUTCH ASSY (0.20)	1	0.20mm THICK
5	1170325-T0301	SHIM, CLUTCH ASSY (0.25)	1	0.25mm THICK
5	1170330-T0301	SHIM, CLUTCH ASSY (0.30)	1	0.30mm THICK
5	1170335-T0301	SHIM, CLUTCH ASSY (0.35)	1	0.35mm THICK
6	1170020-T0301	WASHER 'A' CLUTCH	1	
7	1170025-T0301	CENTRE DRUM, CLUTCH	1	
8	T1170036	DISC SET, CLUTCH, FRICTION	1	SET OF 9 PLATES
9	1170040-T0301	PLATE, CLUTCH	7	
10	1170065-T0301	PLATE, CLUTCH, B	1	
11	1170030-T0301	PLATE, CLUTCH, PRESSURE	1	
12	1170086-T0301	SPRING, CLUTCH	5	
13	1170050-T0301	SPECIAL BOLT M6 x 25	5	
14	1170091-T0301	WASHER, CLUTCH	1	
15	1170092-T0301	NUT, CLUTCH, M22	1	
16	3800012-T0301	BEARING, JIS 16003	1	
17	1170088-T0301	JOINT PIECE, CLUTCH PUSHROD	1	
18	1170270-T0301	CLUTCH PUSHROD	1	
19	T1170605	SLAVE CYL ASSY, CLUTCH	1	
20	1170201-T0301	PISTON SET, CLUTCH, S'CYL	1	
21	1170205-T0301	BLEED SCREW, S'CYL CLUTCH	1	
22	T3202030	BOLT, M6 x 40, DOMED	1	
23	T3202080	BOLT, M6 x 80, DOMED	2	
24	3600012-T0301	SEAL, CLUTCH PUSH ROD	1	
25	1170087-T0301	WASHER, CLUTCH SPRING	5	



Transmission

Transmission

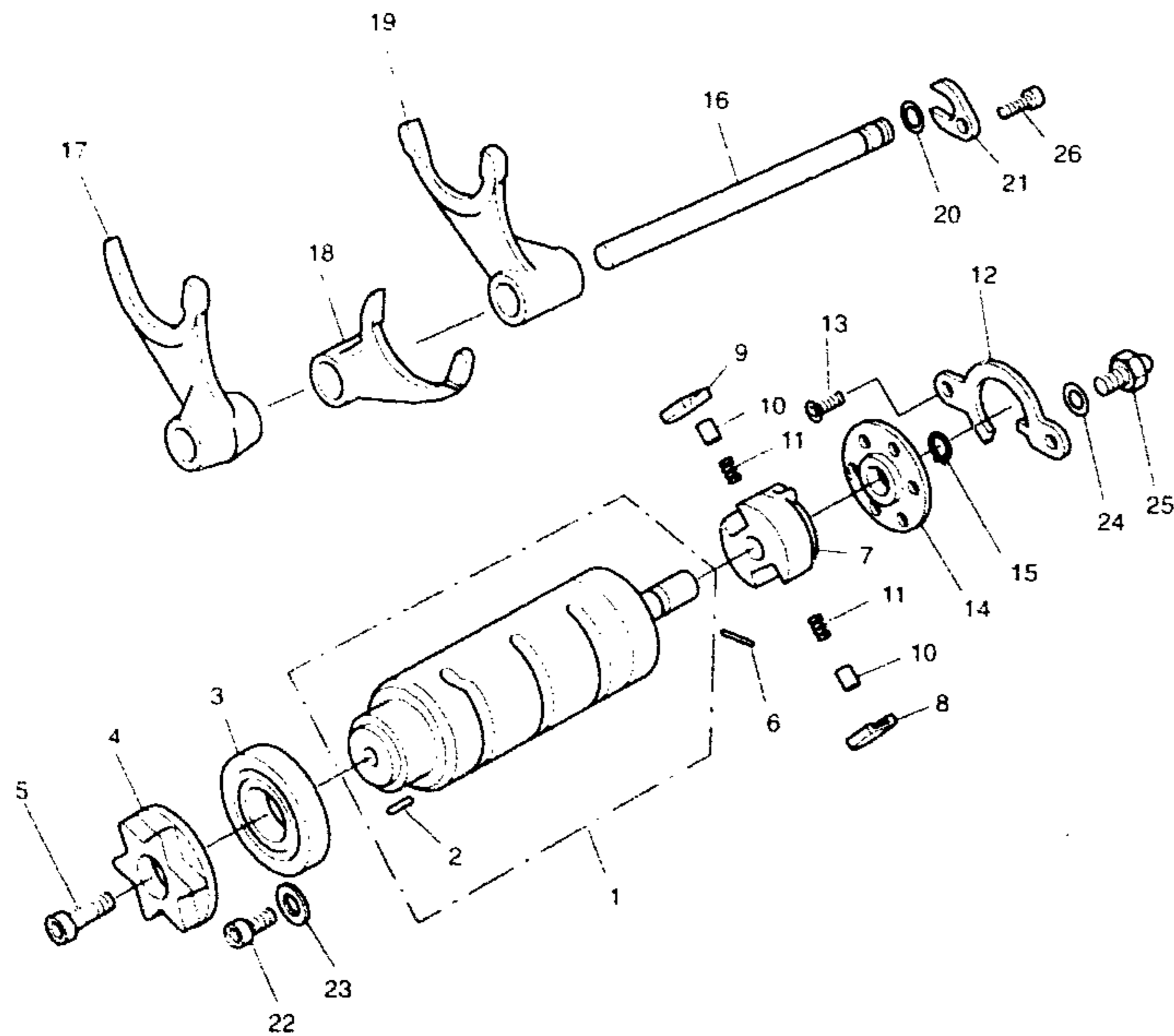


Ref	Part Number	Description	Qty	VIN Range, Market, Comments etc.
1	1180150-T0301	SLEEVE, INPUT BEARING	1	
2	3500002-T0301	CIRCLIP	1	
3	3800006-T0301	BEARING, NEEDLE	2	
4	1180270-T0301	WASHER, THRUST	2	
5	1180490-T0301	GEAR, INPUT, SECOND	1	
6	1180563-T0301	SLEEVE, INPUT SHAFT	1	
7	3500003-T0301	CIRCLIP	2	
8	1180500-T0301	GEAR, INPUT, THIRD/FOURTH	1	
9	1180280-T0301	WASHER, THRUST	2	
10	1180401-T0301	GEAR, INPUT, FIFTH	1	
11	1180480-T0301	INPUT SHAFT	1	
12	3800002-T0301	BEARING, BALL	1	
13	1180160-T0301	SLEEVE	1	
14	T3800085	ROLLER BEARING	1	
15	1180010-T0301	OUTPUT SHAFT	1	
16	1180403-T0301	GEAR, OUTPUT, SECOND	1	
17	1180290-T0301	WASHER, THRUST	3	
18	3500004-T0301	CIRCLIP	3	
19	1180470-T0301	GEAR, OUTPUT, SIXTH	1	
20	1180450-T0301	GEAR, OUTPUT, FOURTH	1	
21	1180567-T0301	BUSH, SPLINED	1	
22	1180566-T0301	BUSH, SPLINED	1	
23	1180440-T0301	GEAR, OUTPUT, THIRD	1	
24	1180460-T0301	GEAR, OUTPUT, FIFTH	1	
25	1180402-T0301	GEAR, OUTPUT, FIRST	1	
26	1180130-T0301	SLEEVE, OUTPUT BEARING	1	
27	3800005-T0301	RETAINING RING, BEARING	1	
28	3800004-T0301	RETAINING RING, BEARING	1	
29	3600006-T0301	OIL SEAL	1	
30	1180171-T0301	SPROCKET, GEARBOX, 17 TEETH	1	
31	1180180-T0301	WASHER, SPROCKET	1	
32	1180175-T0301	NUT, GEARBOX SPROCKET	1	
33	1180520-T0301	GEAR, INPUT, SIXTH	1	



Gear Selector Drum

Gear Selector Drum

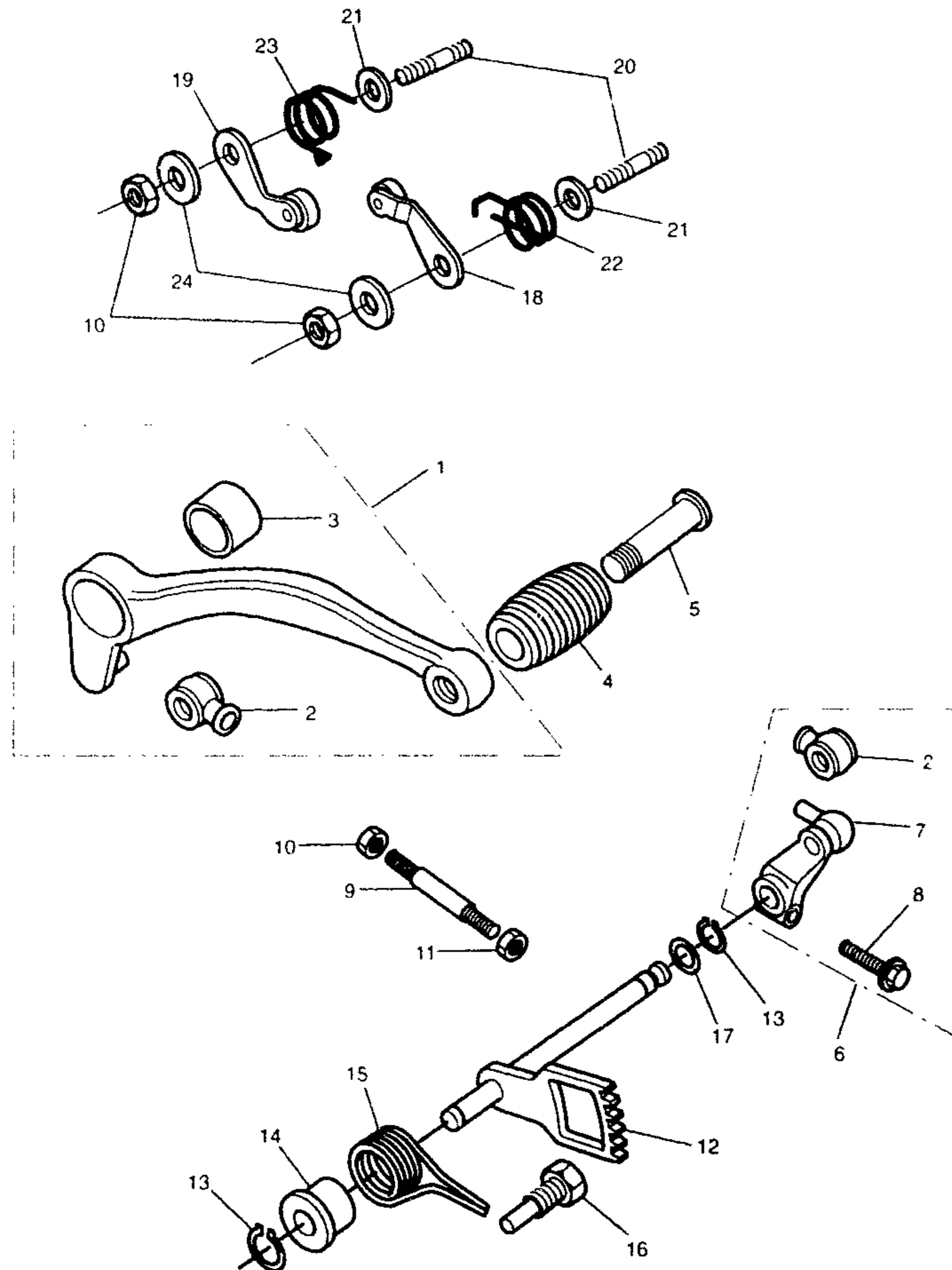


Ref	Part Number	Description	Qty	VIN Range, Market, Comments etc.
1	1190355-T0301	SELECTOR DRUM/SPINDLE ASSY	1	
2	3000009-T0301	DOWEL, 3 x 12	1	
3	3800007-T0301	BEARING, BALL	1	
4	1190100-T0301	DETENT WHEEL	1	
5	3330035-T0301	SCREW TORX M6 x 25	1	
6	3000008-T0301	SPIROL PIN 2 x 10	1	
7	1190230-T0301	GEAR, ACTUATING	1	
8	T1190325	PAWL, LOWER	1	
9	T1190085	PAWL, UPPER	1	
10	1190300-T0301	PLUNGER, PAWL	2	
11	1190310-T0301	SPRING, PLUNGER	2	
12	1190200-T0301	STOP PLATE	1	
13	T3332604	SCREW, TORX, C'SUNK M6 x 14	2	
14	T1190245	GEAR INDICATOR PLATE	1	
15	3500006-T0301	CIRCLIP	1	
16	1190050-T0301	SELECTOR SHAFT, GEARBOX	1	
17	1190080-T0301	SELECTOR FORK, (2ND/4TH)	1	
18	1190070-T0301	SELECTOR FORK (5TH/6TH)	1	
19	1190060-T0301	SELECTOR FORK, (1ST/3RD)	1	
20	3600007-T0301	'O' RING	1	
21	1190110-T0301	KEEPER PLATE, SELECTOR SHAFT	1	
22	T3050069	CAPSCREW M6 x 10	1	
23	3550032-T0301	WASHER, LARGE M6	1	
24	3550020-T0301	SEALING WASHER, M10	1	
25	T1190024	SWITCH, NEUTRAL INDICATOR	1	
26	3330016-T0301	SCREW, TORX M6 x 20	1	



Gear Change Pedal

Gear Change Pedal

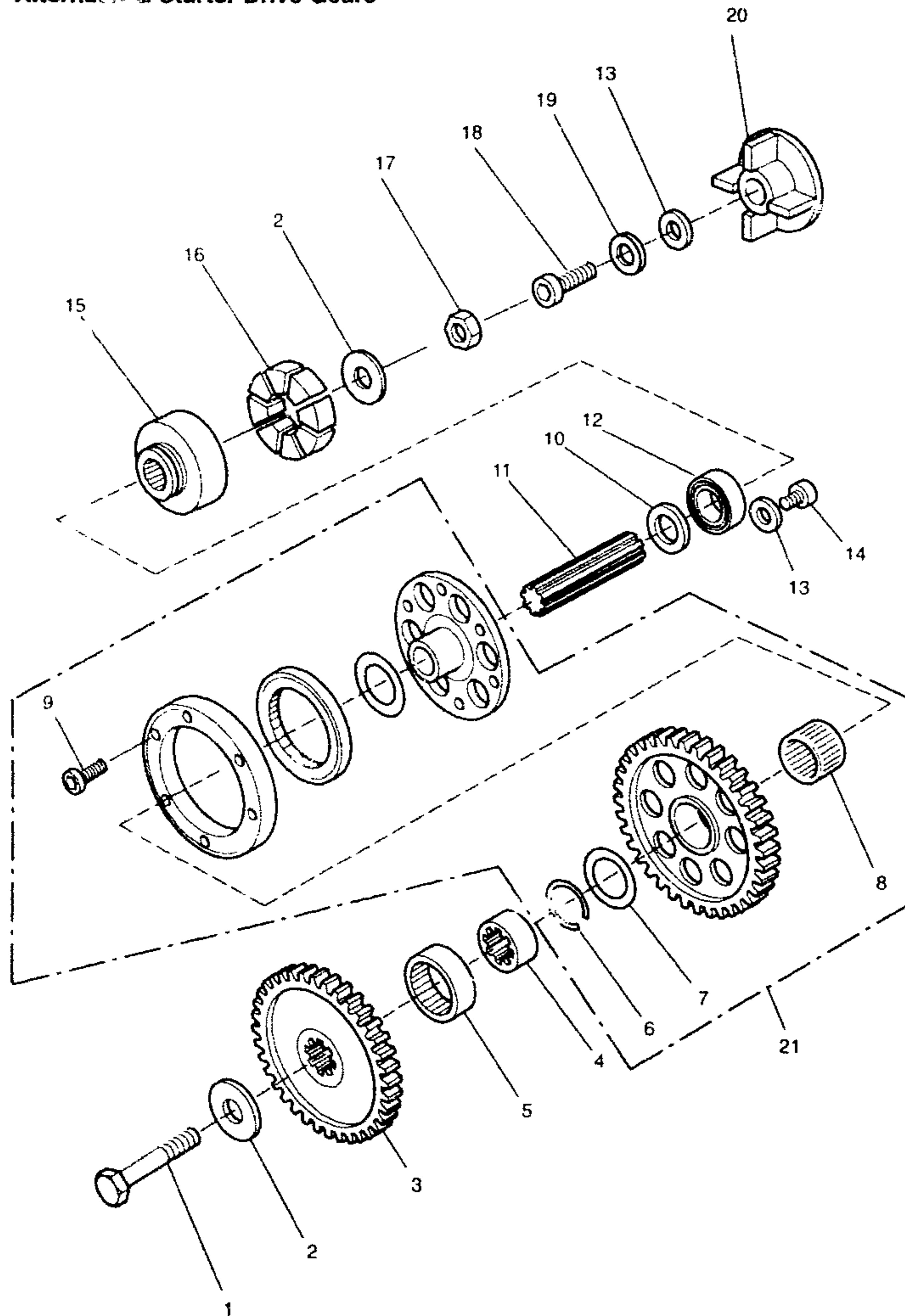


Ref	Part Number	Description	Qty	VIN Range, Market, Comments etc.
1	T2080765	GEARCHANGE PEDAL ASSY	1	
2	T2080049	BOOT, BALL JOINT	2	
3	T3750006	BUSH, BALL JOINT	2	
4	T2080281	RUBBER, GEARCHANGE	1	
5	T2080282	PIN, GEARCHANGE	1	
6	2080045-T0301	LINKAGE CLAMP ASSY	1	
7	T2080050	CLAMP, LINKAGE	1	
8	3200015-T0301	BOLT, M6 x 20	1	
9	T2080371	PUSHROD, GEARCHANGE	1	
10	3350008-T0301	NUT, M6	3	
11	3350015-T0301	NUT, M6	1	
12	1190260-T0301	SHAFT ASSY, GEARCHANGE	1	
13	3500008-T0301	CIRCLIP	2	
14	1190340-T0301	BUSH, SPRING LOCATION	1	
15	1190160-T0301	RETURN SPRING, GEARCHANGE	1	
16	1190170-T0301	BOLT, SPRING LOCATION	1	
17	3550016-T0301	THRUST WASHER	1	
18	1190021-T0301	DETENT ARM ASSY, NEUTRAL	1	
19	1190022-T0301	DETENT ARM ASSY, GEARS	1	
20	3100002-T0301	STUD, M6 x 23	2	
21	3550019-T0301	WASHER, M6, HARDENED	2	
22	1190140-T0301	SPRING, DETENT ARM, NEUTRAL	1	
23	1190335-T0301	SPRING, DETENT ARM, GEARS	1	
24	1190190-T0301	COLLAR, DETENT ARMS	2	



Alternator & Starter Drive Gears

Alternator & Starter Drive Gears



Ref	Part Number	Description	Qty	VIN Range, Market, Comments etc.
1	T3150129	BOLT, M8 x 102.5	1	
2	3550022-T0301	HARDENED WASHER	2	
3	T1220960	GEAR ASSY ALTERNATOR DRIVE	1	
4	T1220280	SLEEVE	1	
5	3800019-T0301	NEEDLE BEARING	1	
6	3500002-T0301	CIRCLIP	1	
7	1220330-T0301	THRUST WASHER	2	
8	3800011-T0301	NEEDLE BEARING ASSY	1	
9	T3050063	CAPSCREW M6x16	6	
10	1220291-T0301	SPACER, SF RAG CLUTCH	1	
11	T1220267	SHAFT, ALTERNATOR DRIVE	1	
12	3800020-T0301	BALL BEARING	1	
13	3550032-T0301	HARDENED WASHER	2	
14	T3050062	CAPSCREW, M6 x 12	2	
15	T1220246	HOUSING, ALTERNATOR SHOCK ABSORBER	1	
16	T1220325	RUBBER, ALTERNATOR SHOCK ABSORBER	4	
17	T3350112	NUT, M8	1	
18	T3150125	BOLT, M6 x 16	1	
19	3550031-T0301	BELLEVILLE WASHER	1	
20	T1220306	CENTRE SHOCK ABSORBER	1	
21	T1221030	SPRAG CLUTCH ASSY	1	



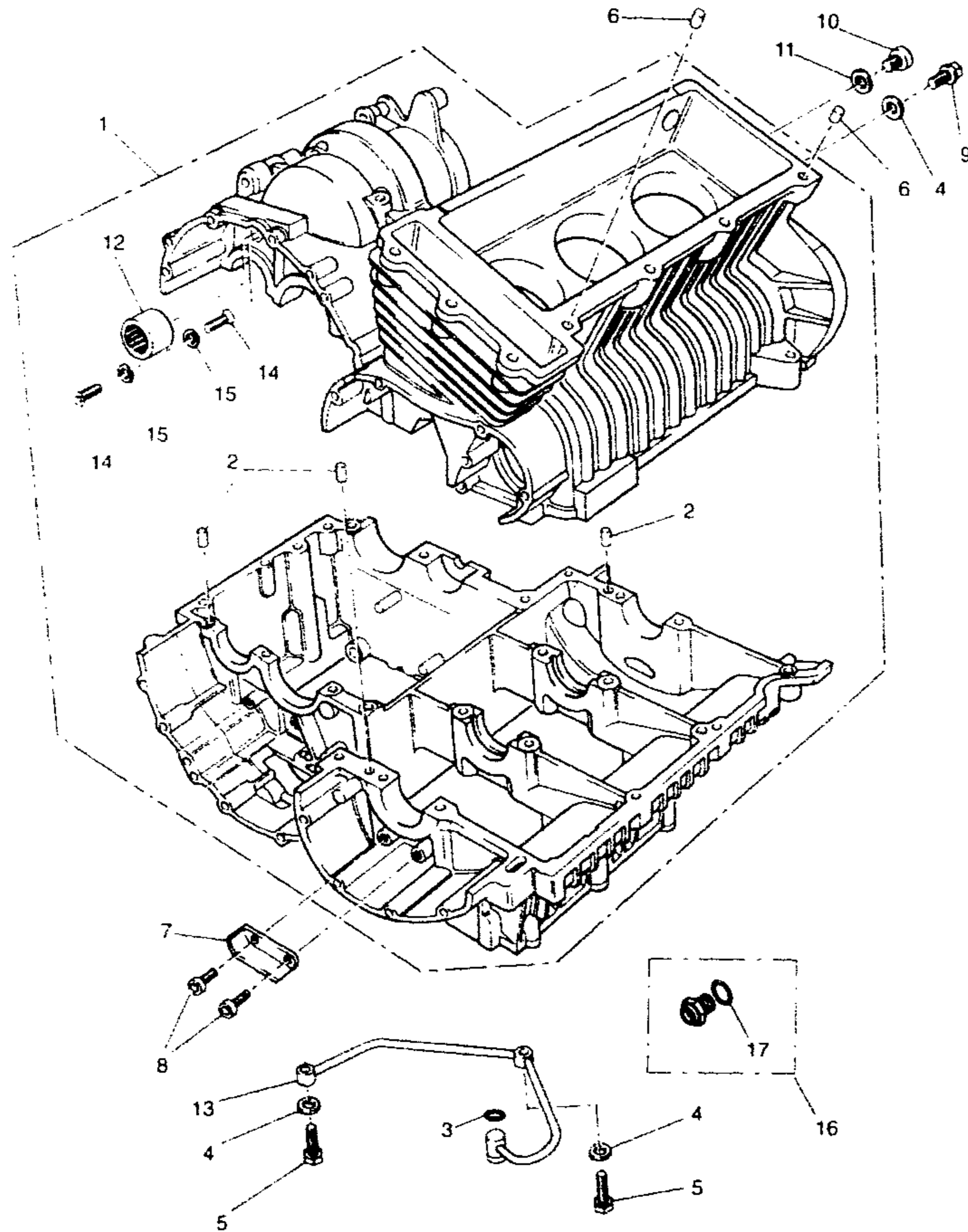
SECTION 3

COMPONENT GROUP	FRAME No:
Crankcase	Frame 3-2
Crankcase Fixings	Frame 3-3
Cam Cover	Frame 3-4
Engine Covers	Frame 3-5
Sump	Frame 3-6
Oil Pump, Oil Pump Drive & Oil Filter	Frame 3-7

**SEE
NEXT
FRAME**

Crankcase

Crankcase

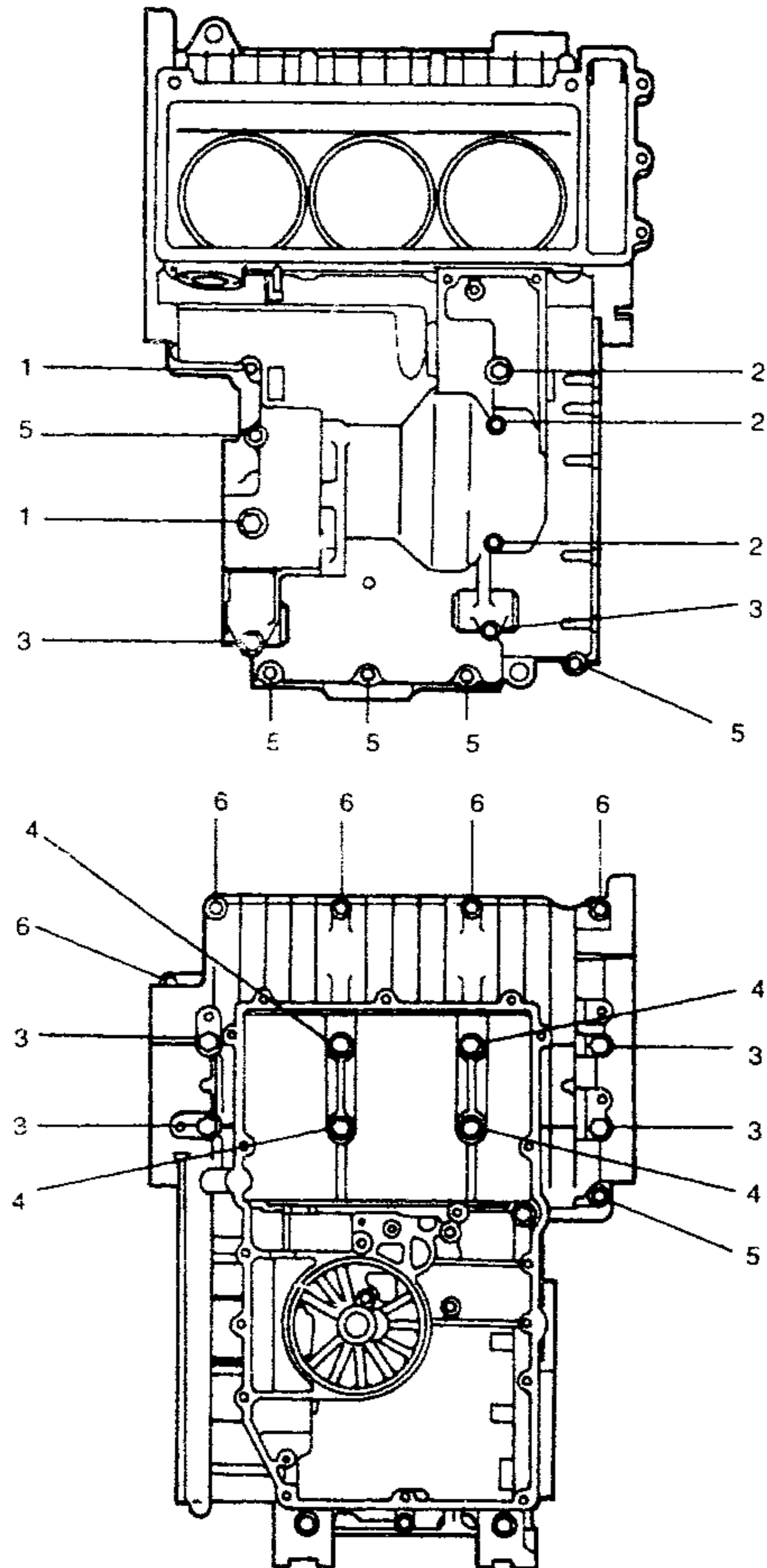


Ref	Part Number	Description	Qty	VIN Range. Market. Comments etc.
1	T1160518	CRANKCASE ASSY, 3 CYL	1	
2	T3000003	DOWEL	3	
3	3600007-T0301	'O' RING	1	
4	3550042-T0301	COPPER WASHER, M6	5	
5	T1211456	BOLT, BANJO, M6	2	
6	3000001-T0301	DOWEL	2	
7	1160360-T0301	OIL DEFLECTOR PLATE	1	
8	T3330071	SCREW, TORX, M6 x 12	2	
9	T3202012	BOLT, DOMED, M6 x 12	1	
10	3450006-T0301	PLUG, MAIN OIL GALLERY	1	
11	3550021-T0301	WASHER, PLUG	1	
12	3800019-T0301	BEARING, NEEDLE	1	
13	T1210484	OIL FEED PIPE 3 CYL ENGINE	1	
14	3330604-T0301	SCREW, C'SUNK, M6 x 14	2	
15	3550230-T0301	WASHER, HARDENED M6	2	
16	T1160620	SIGHT GLASS ASSY	1	
17	T3550085	WASHER, SIGHT GLASS	1	



Crankcase Fixings

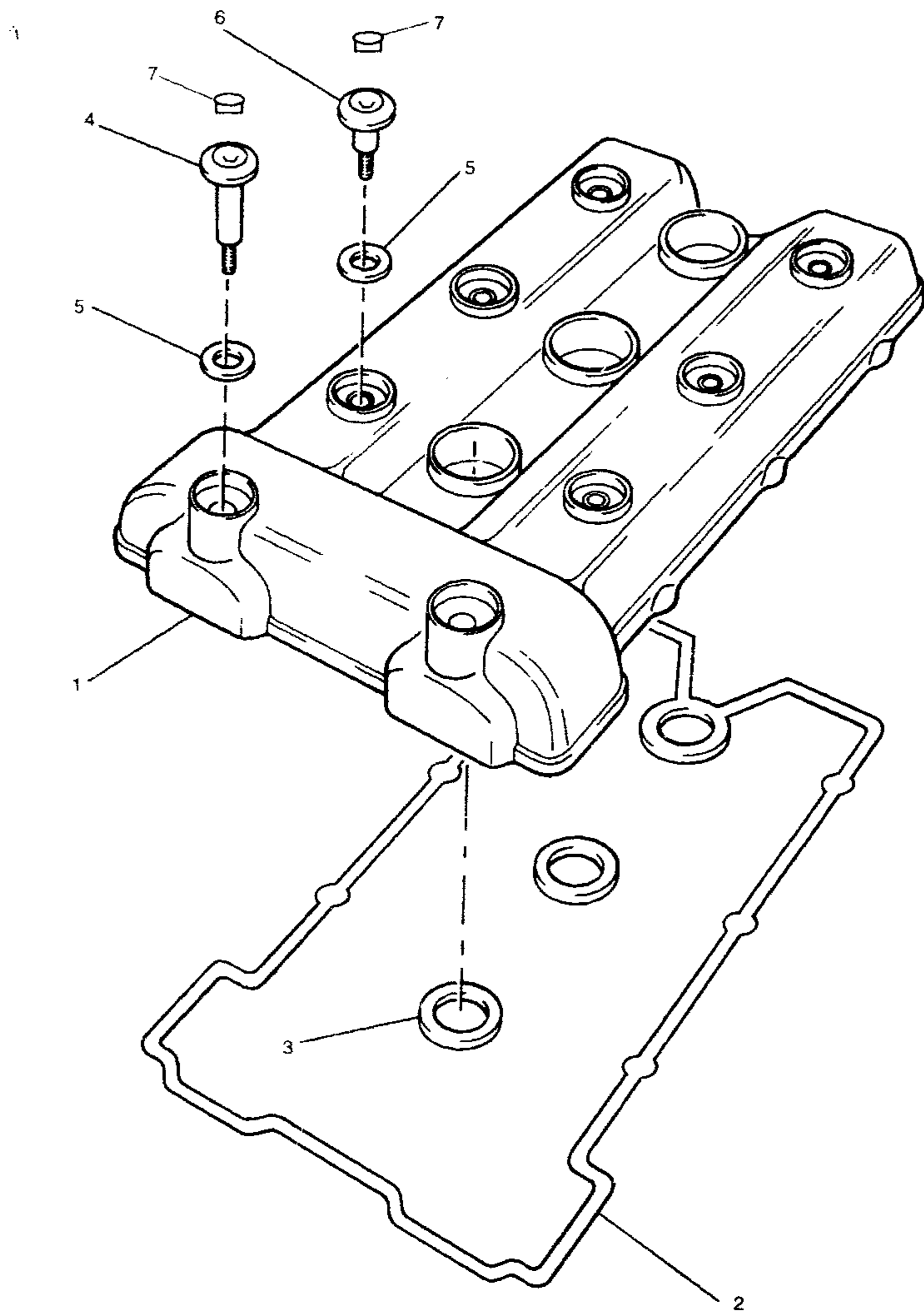
Crankcase Fixings



Ref	Part Number	Description	Qty	VIN Range, Market, Comments etc.
1	3330040-T0301	SCREW, TORX M8 x 65, BLACK	2	
2	3330044-T0301	SCREW, TORX M8 x 155, BLACK	3	
3	3330042-T0301	SCREW, TORX M8 x 105, BLACK	6	
4	3330021-T0301	SCREW, TORX M8 x 80	4	
5	3330045-T0301	SCREW, TORX M6 x 40, BLACK	6	
6	3330037-T0301	SCREW, TORX M6 x 25, BLACK	5	



Cam Cover

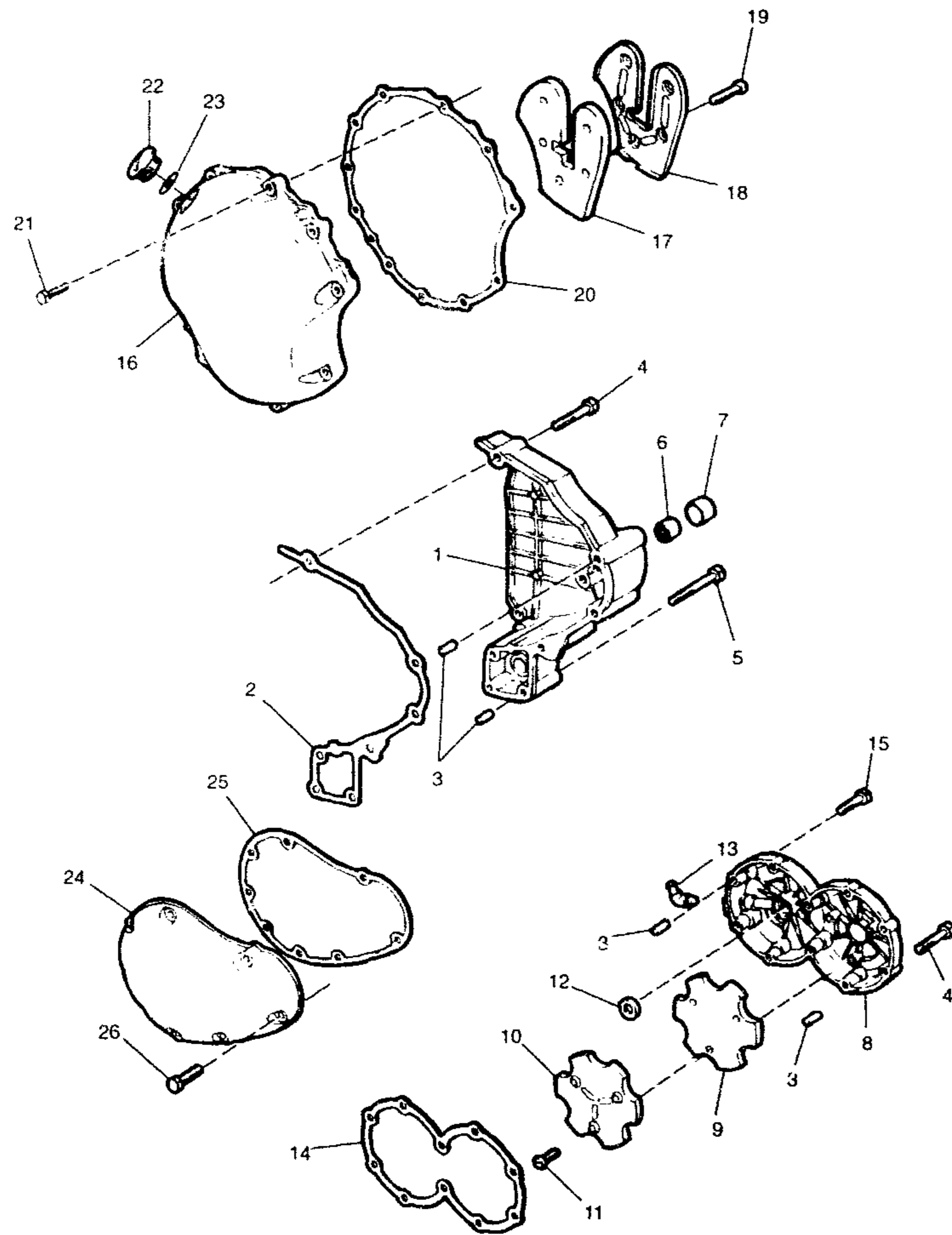


Cam Cover

Ref	Part Number	Description	Qty	VIN Range, Market, Comments etc.
1	T1260857	CAM COVER, PAINTED	1	
2	1260025-T0301	SEAL, CAM COVER, 3 CYL	1	INCLUDES ITEM 3, 2 OFF
3	1260023-T0301	SEAL, SPARK PLUG TOWER	2	SEE ITEM 2
4	T1260860	SCREW, CAM CVR, CHROME, LONG	2	
5	1260012-T0301	SEAL, CAM COVER, SCREW	8	
6	T1260861	SCREW, CAM CVR, CHROME, SHORT	6	
-	1260033-T0301	SEAL SET CAM COVER, 3 CYL	1	
7	T3450200	PLUG, M8	4	



Engine Covers

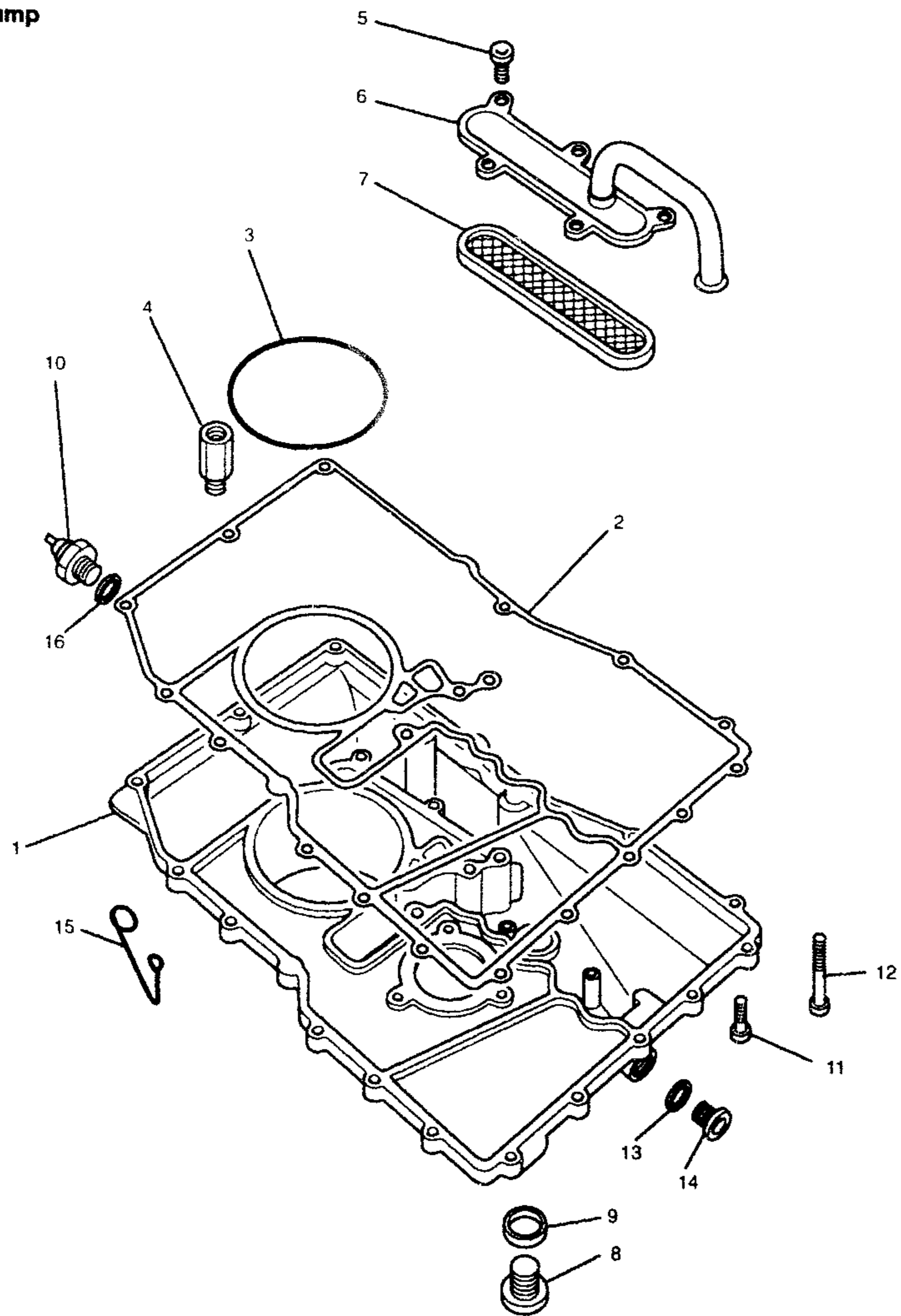


Engine Covers

Ref	Part Number	Description	Qty	VIN Range, Market, Comments etc.
1	T1260163	SPROCKET COVER, PAINTED	1	
2	T1260801	GASKET, SPROCKET COVER	1	
3	3000001-T0301	DOWEL	4	
4	T3202040	BOLT, DOMED, M6 x 40	6	
5	T3202050	BOLT, DOMED, M6 x 50	1	
6	3800041-T0301	BEARING, NEEDLE ROLLER	1	
7	3600008-T0301	OIL SEAL	1	
8	T1260717	COVER, CRANK, LH, PAINTED	1	
9	T1260840	PAD, SOUND SUPPRESSION	1	
10	T1260835	PLATE, SOUND SUPPRESSION	1	
11	3330523-T0301	SCREW, TAPTITE, M5 x 12	3	
12	3600014-T0301	OIL SEAL, CRANK COVER LH	1	
13	T1260831	FITTING, LH CRANK COVER	1	
14	T1260701	GASKET, LH CRANK COVER	1	
15	T3202030	BOLT, DOMED, M6 x 30	8	
16	T1260779	COVER, CLUTCH, PAINTED	1	
17	T1260380	PAD, SOUND SUPPRESSION	1	
18	T1260390	PLATE, SOUND SUPPRESSION	1	
19	3330039-T0301	SCREW, TAPTITE	5	
20	1260080-T0301	GASKET, CLUTCH COVER	1	
21	T3202025	BOLT, DOMED, M6 x 25	12	
22	T1260855	FILLER PLUG, CHROME	1	
23	T3600028	O RING, FILLER PLUG	1	
24	T1260738	COVER, CRANKSHAFT, RH, PNTD	1	
25	T1260726	GASKET, RH CRANK COVER	1	
26	T3202020	BOLT, DOMED, M6 x 20	8	



Sump



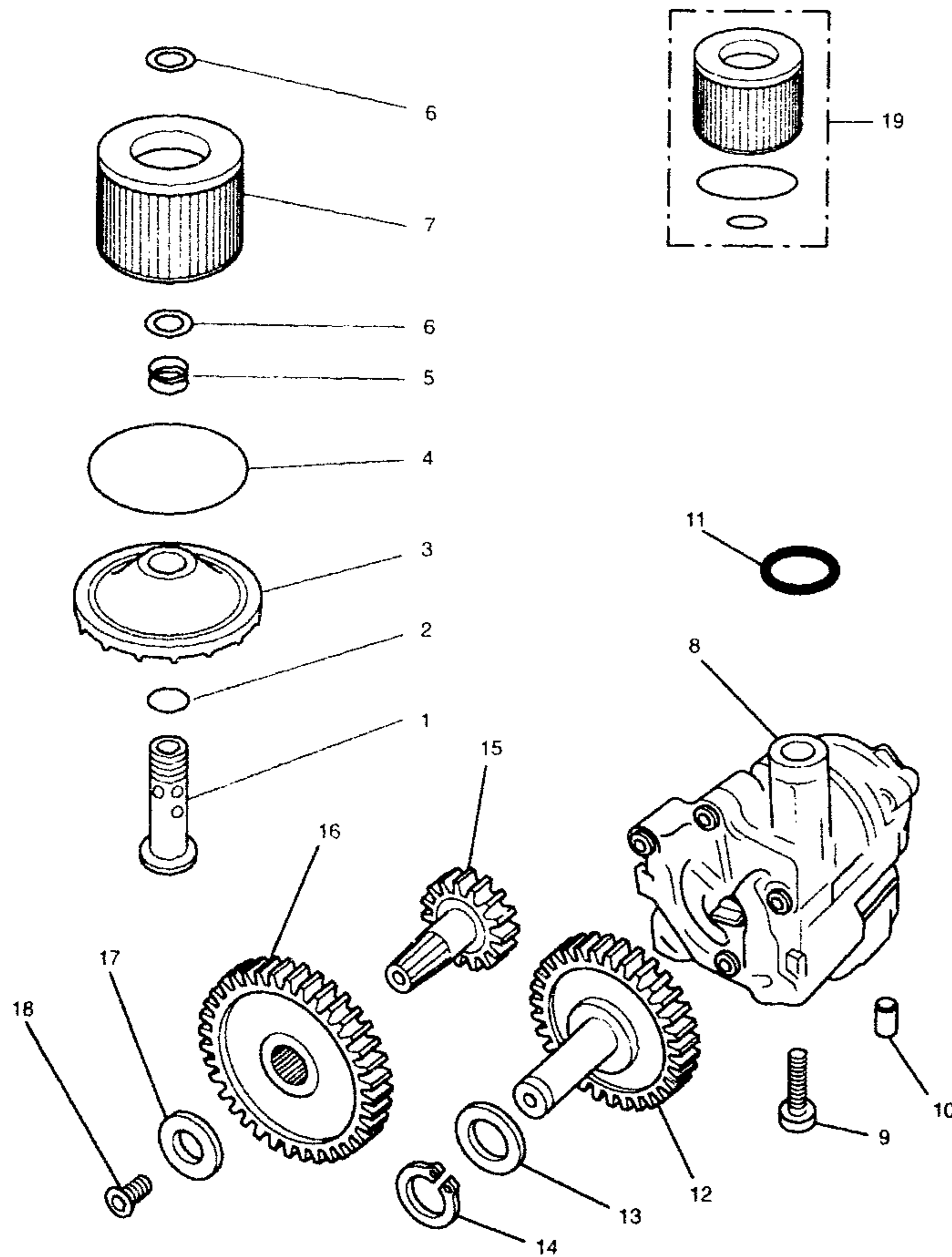
Sump

Ref	Part Number	Description	Qty	VIN Range, Market, Comments etc.
1	T1230083	SUMP	1	▶ 71698
1	T1230116	SUMP	1	71699 ▶
2	1230015-T0301	GASKET SUMP, 3 CYL	1	
3	3600025-T0301	O' RING	1	
4	T1210060	PRESSURE RELIEF VALVE ASS /	1	
5	3330039-T0301	SCREW	5	
6	T1230066	STRAINER RETAINING PLATE	1	
7	1230060-T0301	STRAINER, FEED SCAVENGE	1	
8	T1210495	DRAIN PLUG, M14	3	
9	T3550175	SEALING WASHER, M14	3	
10	T1230074	SWITCH, OIL PRESSURE	1	
11	3330037-T0301	SCREW, TORX, M6 x 25	15	
12	3330025-T0301	SCREW, TORX, M6 x 55	2	
13	3550048-T0301	SEALING WASHER M16	2	
14	3450021-T0301	PLUG M16	2	
15	T2079314	GUIDE, OVERFLOW PIPES	1	
16	3550045-T0301	WASHER, M10, COPPER	1	



Oil Pump, Oil Pump Drive & Oil Filter

Oil Pump, Oil Pump Drive & Oil Filter



Ref	Part Number	Description	Qty	VIN Range, Market, Comments etc.
1	1210131-T0301	BOLT ASSY, OIL FILTER	1	
2	3600003-T0301	'O' RING	1	
3	1230011-T0301	FILTER COVER PLATE, 3 CYL	1	
4	3600025-T0301	'O' RING	1	
5	1210140-T0301	SPRING, OIL FILTER	1	
6	3550004-T0301	WASHER, OIL FILTER	2	
7	1210031-T0301	OIL FILTER	1	
8	1210005-T0301	OIL PUMP ASSY, 3 CYL	1	
9	3330035-T0301	SCREW TORX, M6 x 25	4	
10	3000001-T0301	DOWEL, HOLLOW	2	
11	3600013-T0301	'O' RING	1	
12	T1210790	OIL PUMP GEAR AND SHAFT	1	
13	3550016-T0301	WASHER, THRUST	1	
14	3500008-T0301	CIRCLIP	1	
15	T1210805	GEAR AND SHAFT, INTERMEDIATE. OIL PUMP	1	
16	T1210535	GEAP AUXILIARY, OIL PUMP	1	
17	3550033-T0301	WASHER, HARD	1	
18	3330280-T0301	SCREW C'SUNK TORX M5 x 10	1	
19	3990070-T0301	KIT, OIL FILTER	1	COMPRISES 1 OFF EACH OF ITEMS 2, 4 & 7 ABOVE

1006



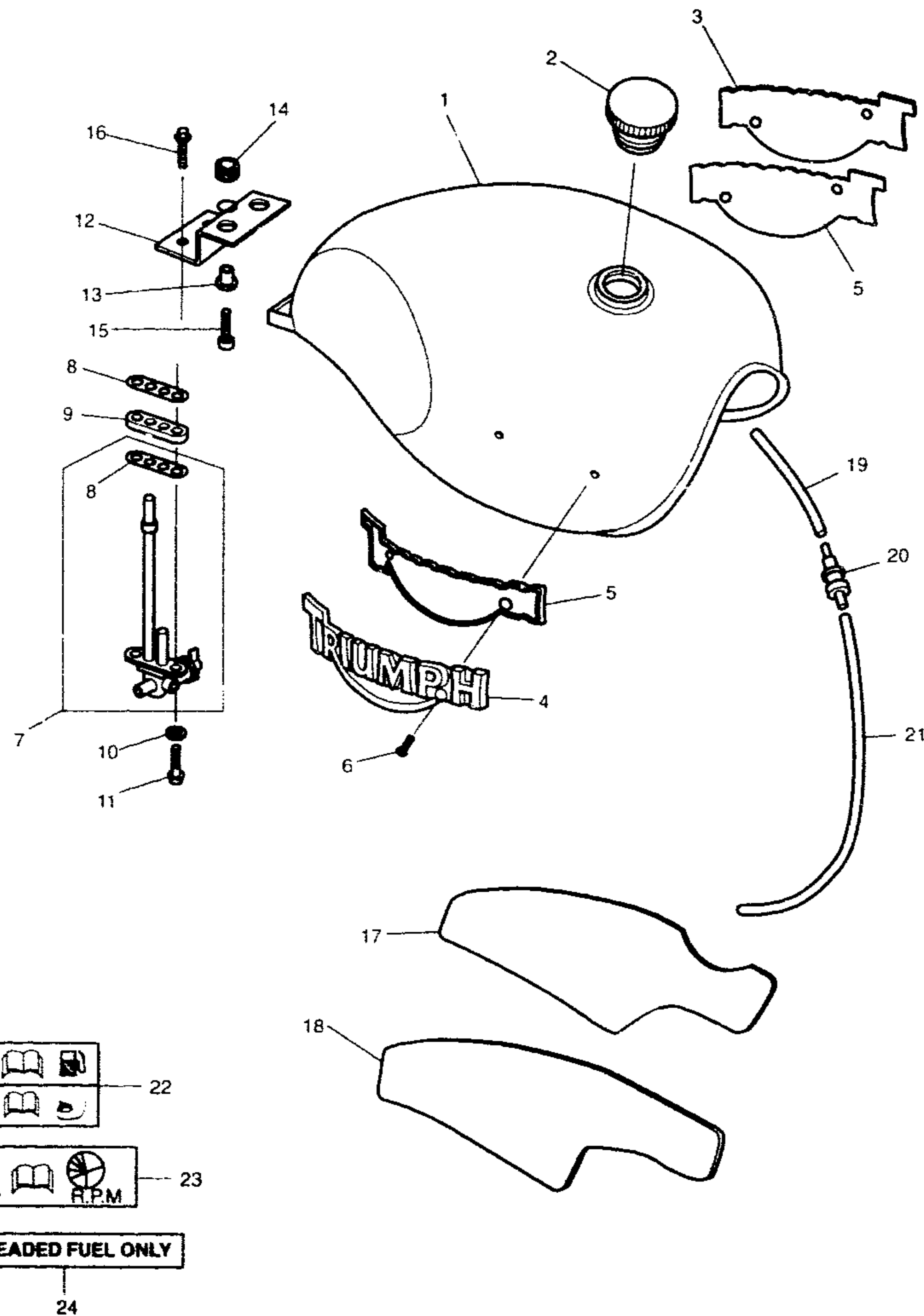
SECTION 4

COMPONENT GROUP	FRAME No:
Fuel Tank & Fittings	Frame 4-2
Carburettors	Frame 4-3
Carburettor Parts	Frame 4-4
Airbox	Frame 4-5
Evaporative Loss Equipment (US California models only)	Frame 4-6
Exhaust System	Frame 4-7

**SEE
NEXT
FRAME**

Fuel Tank & Fittings

Fuel Tank & Fittings

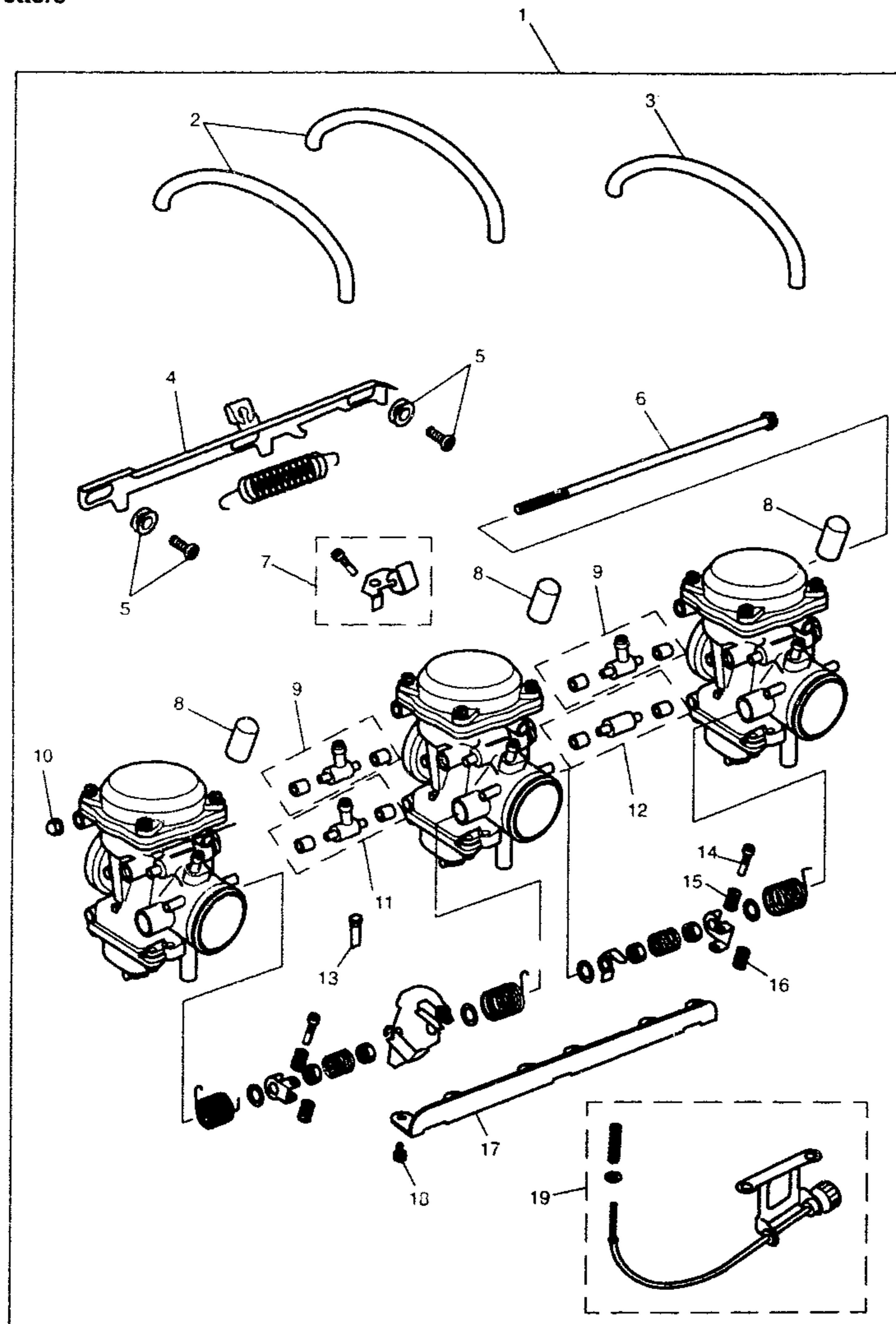


Ref	Part Number	Description	Qty	VIN Range, Market, Comments etc.
1	T2401404-FA	FUEL TANK ASSY ¹	1	RACING YELLOW/JET BLACK
1	T2401404-CM	FUEL TANK ASSY ¹	1	TORNADO RED/JET BLACK
2	T2400096	FUEL FILLER CAP	1	
3	T3900086	BADGE, FUEL TANK, LH	1	
4	T3900087	BADGE, FUEL TANK, RH	1	
5	T3660132	GASKET, TANK BADGE	2	
6	T3330529	SCREW, SECURE, M5 x 16	4	
7	T2400150	FUEL TAP ASSEMBLY	1	
8	2400086-T0301	SEAL FUEL TAP	2	
9	T2400151	SPACER, FUEL TAP	1	
10	3550150-T0301	SEALING WASHER	2	
11	3200051-T0301	BOLT, M6 x 25	2	
12	T2C70712	BRIDGE, FUEL TANK MOUNTING	1	
13	3010140-T0301	FLANGED SLEEVE	2	
14	2400036-T0301	GROMMET	2	
15	3200045-T0301	BOLT, M6 x 28	2	
16	3200112-T0301	BOLT, M6 x 12	2	
17	T2301033	HEAT PAD, FUEL TANK, LH	1	
18	T2301034	HEAT PAD, FUEL TANK, RH	1	
19	T3620285	PIPE, TANK BREATHER, UPPER, 6mm	1	
20	T2400045	ROLL OVER VALVE	1	
21	T3620278	PIPE, TANK BREATHER, LOWER	1	
22	T3900007	LABEL, FUEL TANK	1	
23	T3900171	LABEL, RUNNING IN	1	
24	T3900033	LABEL, UNLEADED FUEL ONLY	1	AU

1. FUEL TANK ASSEMBLY INCLUDES HEAT PADS



Carburetors



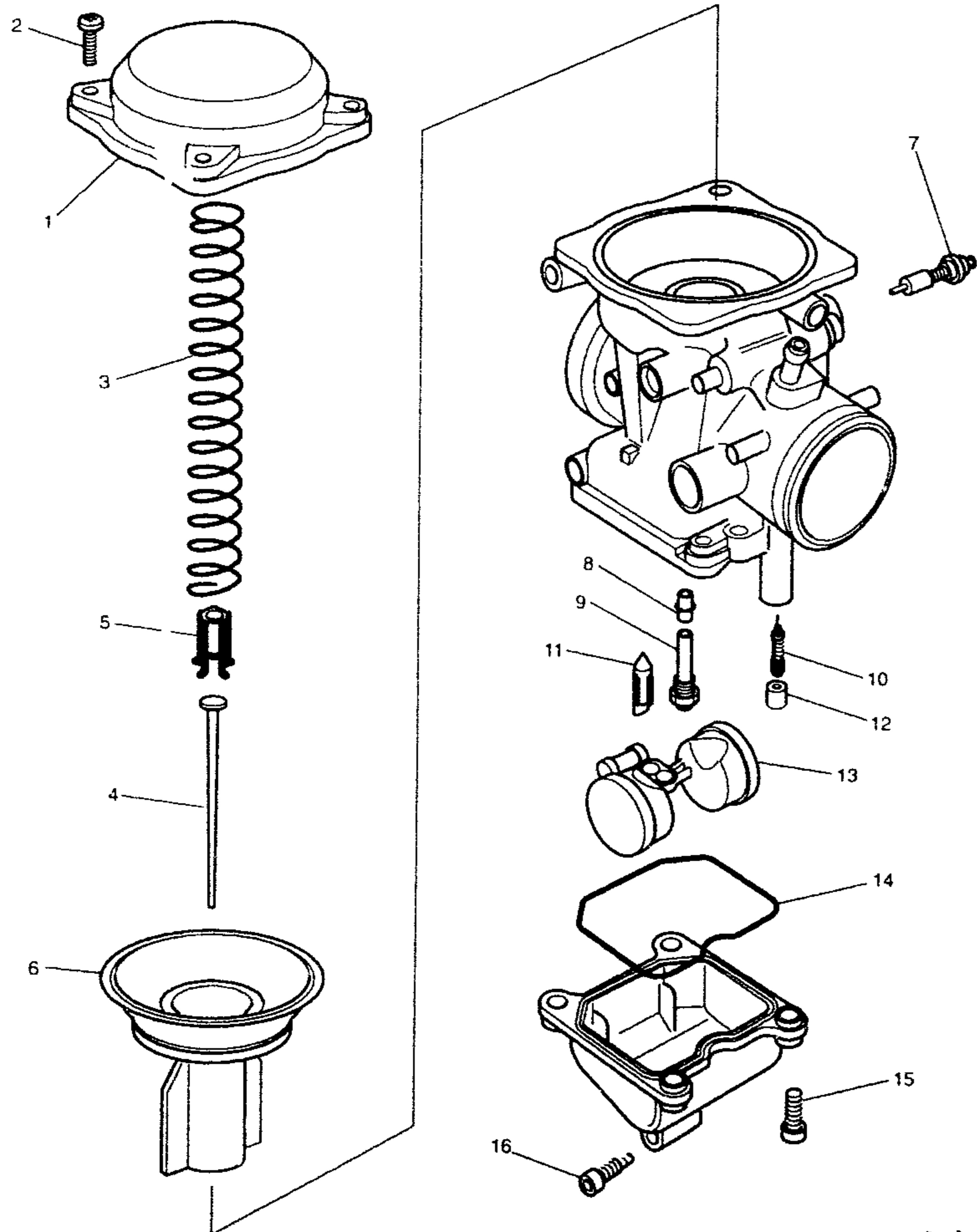
Carburetors

Ref	Part Number	Description	Qty	VIN Range, Market, Comments etc.
1	T1240680	CARB ASSY	1	
2	T1241008	PIPE, CARB VENT	2	US CAL - CUT TO LENGTH
3	T3620060	FUEL PIPE	1	
4	T1241004	LEVER, CHOKE	1	
5	T1241005	KIT, CHOKE LEVER SCREW/WASHER	2	
6	T1241002	THROUGH BOLT	1	
7	T1241006	BRACKET, CHOKE CABLE	1	
8	T1241012	CAP, VACUUM CONNECTION	3	
9	T1241007	KIT, VENT T-PIECE	2	
10	T1241003	NUT, THROUGH BOLT	1	
11	T1241013	KIT, FUEL, T-PIECE	1	
12	T1241014	KIT, FUEL, S-PIECE	1	
13	T1241016	FUEL SCREEN	1	
14	T1241009	SCREW, CARB SYNCH	2	
15	T1241010	SPRING, CARB SYNCH SCREW	2	
16	T1241011	SPRING, CARB SYNCH	2	
17	T1241000	BRACKET, LOWER	1	
18	T1241001	SCREW, LOWER BRACKET	6	
19	T1241015	KIT, IDLE ADJUSTER	1	



Carburettor Parts (Carb assy T1240680)

Carburettor Parts (Carb assy T1240680)

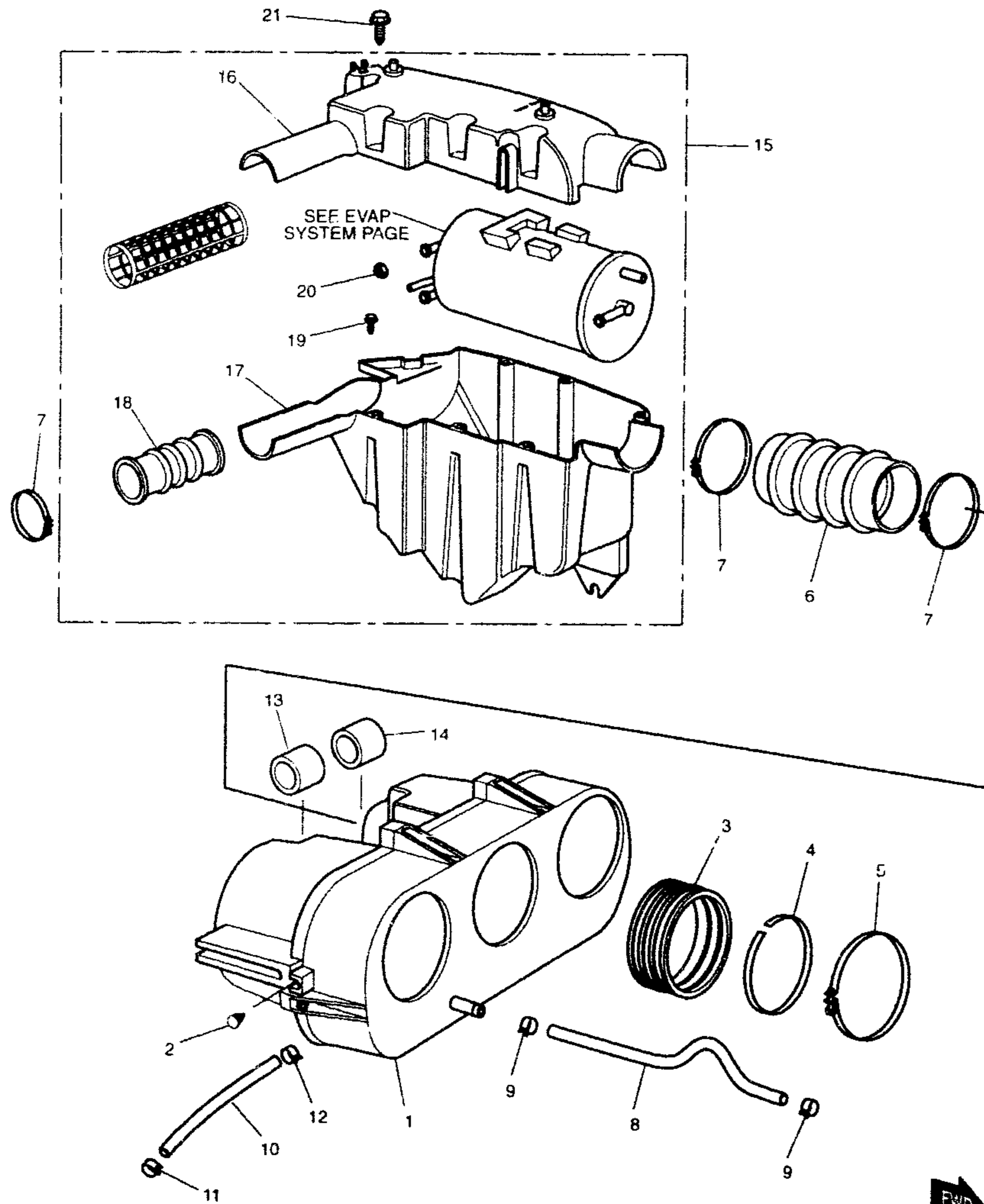


Ref	Part Number	Description	Qty	VIN Range, Market, Comments etc.
1	T1241017	COVER, DIAPHRAGM	3	
2	T1241018	SCREW, DIAPHRAGM	11	
3	T1241022	SPRING, VACUUM PISTON	3	
4	T1241024	JET NEEDLE	3	
5	T1241023	SEAT, PISTON SPRING	3	
6	T1241020	VACUUM PISTON, 2.5mm HOLE	3	
7	T1241031	KIT, CHOKE VALVE	3	
8	T1241025	NEEDLE JET	3	
9	T1241028	MAIN JET	3	
10	T1241030	KIT, PILOT SCREW	3	
11	T1241033	KIT, FLOAT VALVE	3	
12	T1240955	PLUG, PILOT SCREW	3	U.S. CH, SG
13	T1241032	KIT, FLOAT	3	
14	T1241036	SEAL, FLOAT BOWL	3	
15	T1241035	SCREW, FLOAT BOWL	12	
16	T1241034	SCREW, FLOAT CHAMBER DRAIN	3	



Airbox

Airbox

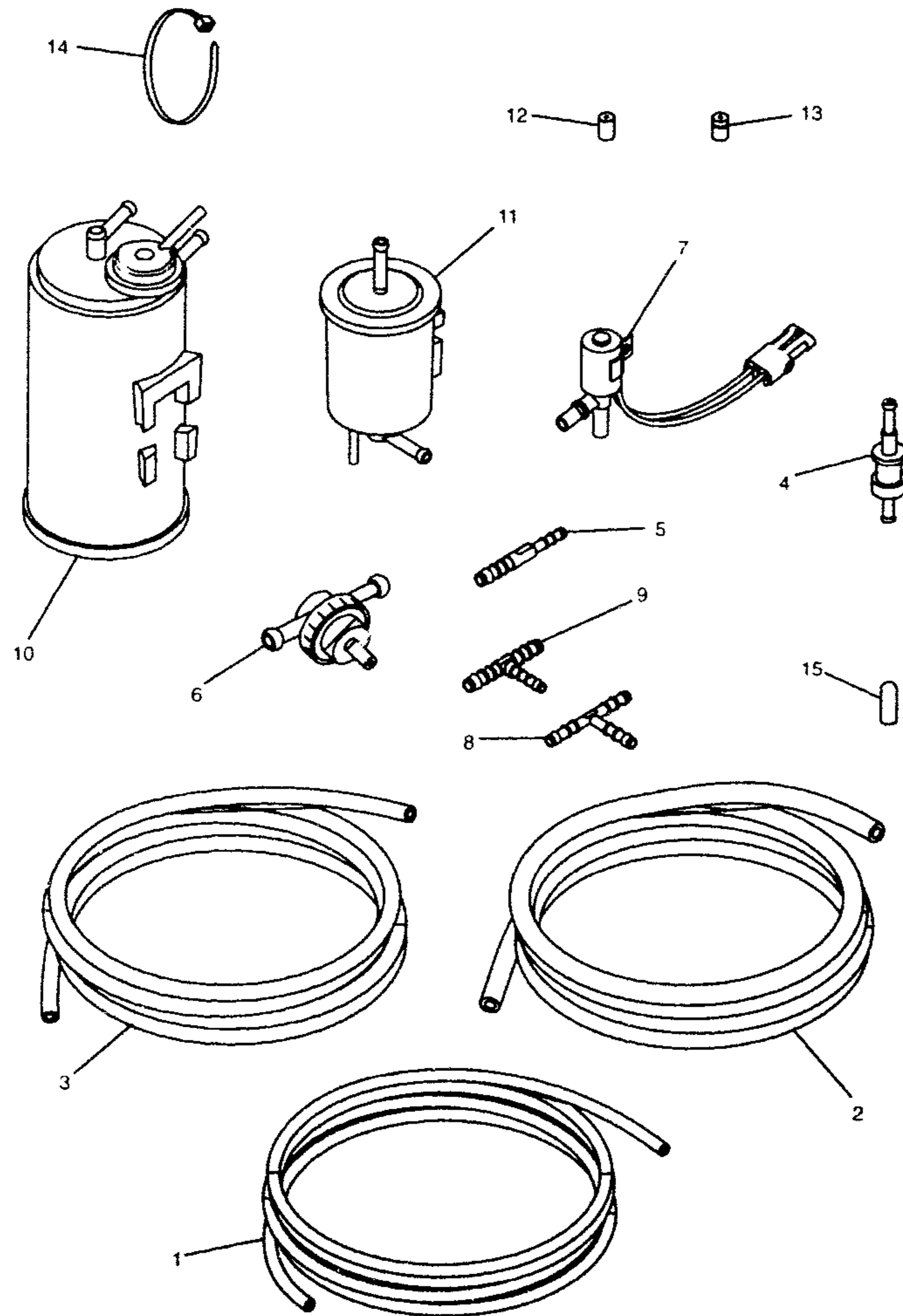


Ref	Part Number	Description	Qty	VIN Range, Market, Comments etc.
1	T2201200	AIRBOX ASSY	1	
2	T3450260	FIR TREE PLUG, BLACK	2	
3	T2200001	VENTURI, CARB INTAKE	3	
4	T2200214	EXPANSION RING	3	
5	T3700001	CLIP, VENTURI	3	
6	T2201204	DUCT, AIRBOX CONNECTION	1	
7	T3700018	CLIP, CONNECTING DUCT	3	
8	T2200312	BREATHER PIPE	1	
9	T3700035	CLIP, BREATHER PIPE	2	
10	3620240-T0301	PIPE, AIRBOX DRAIN	1	
11	3450145-T0301	END TIP, DRAIN PIPE	1	
12	3700030-T0301	CLIP, DRAIN PIPE	1	
13	T2201207	BUSH, AIRBOX SUPPORT, RH	1	
14	T2201208	BUSH, AIRBOX SUPPORT, LH	1	
15	T2201220	AUXILIARY CHAMBER ASSY	1	
15	T2201225	AUXILIARY CHAMBER ASSY	1	US CAL (INC CARBON CANNISTER)
16	T2201221	AUXILIARY CHAMBER, UPPER	1	
17	T2201222	AUXILIARY CHAMBER, LOWER	1	
17	T2201226	AUXILIARY CHAMBER, LOWER	1	US CAL
18	T2201224	INTAKE SILENCER	1	
19	T3330419	SCREW, HEX HEAD	7	
20	3350008-T0301	NUT, M6	2	US CAL
21	3330039-T0301	SCREW, TAPTITE, M6 x 12	1	



Evaporative Loss Equipment (US California models only)

Evaporative Loss Equipment (US California models only)

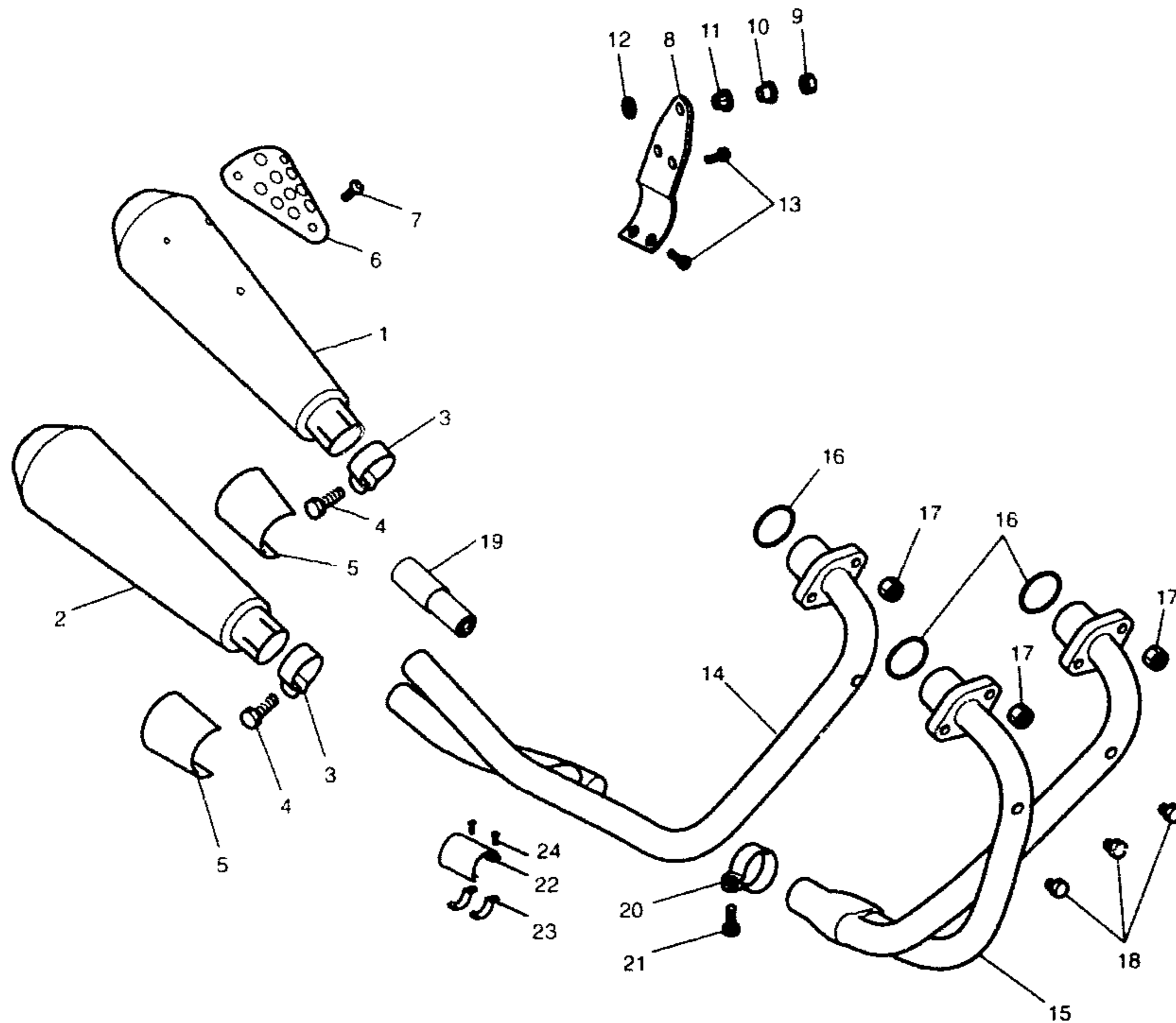


Ref	Part Number	Description	Qty	VIN Range, Market, Comments etc.
1	T3620291	PIPE, 5 ID	1	CUT TO REQUIRED LENGTH
2	T3620292	PIPE, 7.5 ID	1	CUT TO REQUIRED LENGTH
3	T3620253	PIPE, 4.2 ID	1	CUT TO REQUIRED LENGTH
4	T2400045	ROLL OVER VALVE	1	
5	T3620258	REDUCER	1	
6	T2400046	PRESSURE CONTROL VALVE	1	
7	T2400049	VALVE, SOLENOID	2	
8	T3620266	'T' PIECE, EQUAL, 8MM	1	
9	T3620276	'T' PIECE, UNEQUAL	2	
10	T2400160	MAIN CARBON CANISTER	1	
11	T2400155	AUXILIARY CARBON CANISTER	1	
12	T2400047	RESTRICTOR, IN-LINE, 1.2mm	1	
13	T2400082	RESTRICTOR, IN-LINE, 0.9mm	1	
14	3700016-T0301	CABLE TIE	4	
15	T3450145	PLUG	2	

Exhaust System

Exhaust System

Ref	Part Number	Description	Qty	VIN Range. Market. Comments etc.
1	T2201561	SILENCER ASSY, UPPER	1	
2	T2201562	SILENCER ASSY, LOWER	1	
3	2200180-T0301	EXHAUST CLAMP, BLACK	2	
4	T3330081	BOLT, M8, BLACK	2	
5	T2200221	COVER, EXHAUST CLAMP	2	
6	T2201568	HEELGUARD	1	
7	T3330557	SCREW, M6 x 20	3	
8	T2201505	BRACKET, TWIN SILENCER	1	
9	3350180-T0301	LOCKNUT, M8	2	
10	T3010242	FLANGED SLEEVE, M8	1	
11	2200680-T0301	BUSH RUBBER	1	
12	3550075-T0301	WASHER, RUBBER	1	
13	T3330630	SCREW, M8 x 20	4	
14	T2201527	HEADER ASSY, CTR. PLATED	1	
15	T2201529	HEADER ASSY, LH & RH, PLATED	1	
16	2200019-T0301	GASKET, HEAD TO EXHAUST PIPE	3	
17	3350040-T0301	NUT, M8	6	
18	3150005-T0301	SCREW, M6 x 8	3	
19	T2200295	CATALYST	2	DE ONLY
20	T2200185	EXHAUST CLAMP, CHROME	1	
21	T3330079	BOLT, M8, STAINLESS	1	
22	T2200052	EXHAUST COVER, CHROMED	1	
23	T2200204	CLIP, BRACKET, EXHAUST COVER	2	
24	T3050059	CAPSCREW, M6, S/S	2	



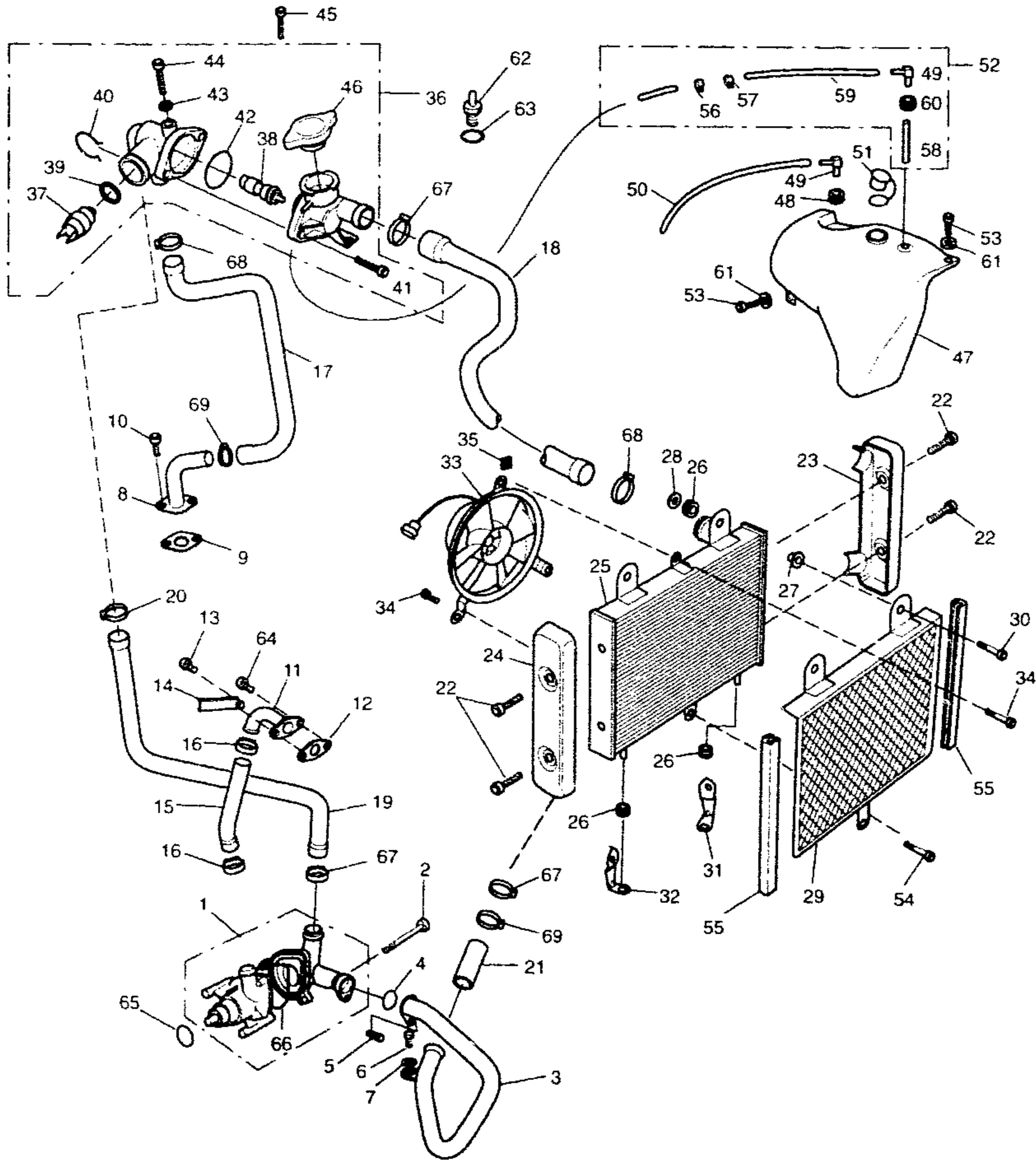
SECTION 5

COMPONENT GROUP	FRAME No:
Cooling System	Frame 5-2
Cooling System Cont'd	Frame 5-3

**SEE
NEXT
FRAME**

Cooling System

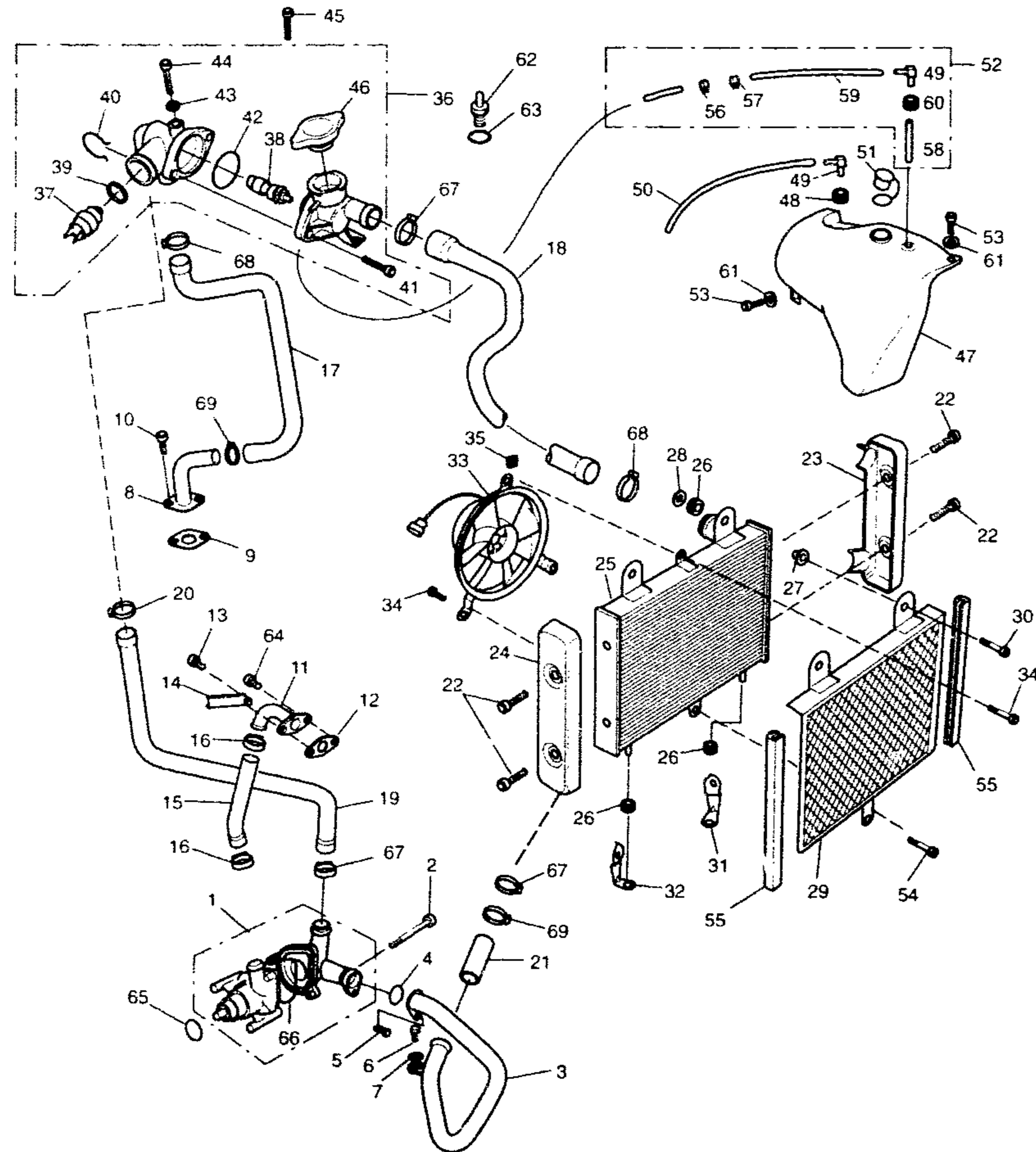
Cooling System



Ref	Part Number	Description	Qty	VIN Range, Market, Comments etc.
1	T2100102	WATER PUMP	1	
2	T3202065	BOLT, DOMED, M6 x 65	2	
3	T2100335	WATER PIPE, LOWER	1	
4	3600036-T0301	O RING	1	
5	T3202012	BOLT, M6 x 12, BLACK	1	
6	T3200080	BOLT, M8 x 30	1	
7	3550030-T0301	WASHER, FIBRE, M8	1	
8	T2100343	OUTLET, CYLINDER HEAD, BLACK	1	
9	2100024-T0301	GASKET, OUTLET	1	
10	T3202016	SCREW, TORX, M6 x 16, S/S	2	
11	T2102146	ELBOW, CRANKCASE	1	
12	2102143-T0301	GASKET, ELBOW	1	
13	3330034-T0301	SCREW, TORX, M6 x 20	1	
14	T2100049	BRACKET, HOSE GUIDE	1	
15	2100108-T0301	HOSE, WATER PUMP OUTLET	1	
16	T2102241	CLIP, HOSE, 23-35, BLACK	2	
17	T2100310	HOSE, CYL HEAD	1	
18	T2100320	HOSE, RADIATOR TOP	1	
19	T2100332	HOSE BYPASS	1	
20	T2102285	CLIP, HOSE	1	
21	T2100350	HOSE, BOTTOM	1	
22	T3330550	SCREW, M5 x 8, CHROME	4	
23	T2100171	COVER, RADIATOR END, LH	1	
24	T2100161	COVER, RADIATOR END, RH	1	
25	T2102132	RADIATOR	1	
26	3020300-T0301	GROMMET, RADIATOR MOUNTING	4	
27	T3010262	FLANGED SLEEVE, M8	2	
28	3550180-T0301	WASHER, M8	2	
29	T2102134	STONE-GUARD	1	
30	T3330540	BOLT, DOMED, M8 x 30	2	
31	T2101314	RADIATOR MTG BRACKET, LH	1	
32	T2101315	RADIATOR MTG BRACKET, RH	1	
33	2101202-T0301	FAN ASSY	1	
34	3330507-T0301	SCREW, TORX, M6 x 16	3	
35	T3350001	NUT, CAPTIVE, M6	1	



Cooling System Cont'd



Cooling System Cont'd

Ref	Part Number	Description	Qty	VIN Range, Market, Comments etc.
36	T2100080	THERMOSTAT HOUSING ASSY	1	
37	T2100271	SWITCH, COOLING FAN	1	
38	T2102131	THERMOSTAT	1	
39	T3600210	O RING, SWITCH	1	
40	T2100272	CLIP, FAN SWITCH	1	
41	3200051-T0301	BOLT, M6 x 25	2	
42	T3600200	O RING, THERMOSTAT HOUSING	1	
43	3550042-T0301	WASHER, M6, COPPER	1	
44	T3150007	BLEED SCREW, M6 x 12	1	
45	3330030-T0301	CAPSCREW, M6 x 12	2	
46	T2100061	CAP ASSY, RADIATOR	1	
47	T2100450	EXPANSION TANK	1	
48	3450035-T0301	GROMMET	1	
49	2100122-T0301	ELBOW, 8mm	2	
50	T3620300	PIPE, OVERFLOW	1	
51	2100002-T0301	CAP, EXPANSION TANK	1	
52	T3620325	PIPE, EXPANSION TANK TO T'STAT	1	
53	3330036-T0301	SCREW, TORX, M6 x 16	2	
54	3330045-T0301	SCREW, TORX, M6 x 40	1	
55	T3660150	TRIM, RADIATOR	2	
56	T3700077	CLIP, OETKIER	1	
57	3700040-T0301	CLIP, WATER PIPE	1	
58	T3620317	PIPE, INTERNAL	1	
59	T3620330	PIPE, EXPANSION TANK TO T'STAT	1	
60	3450075-T0301	GROMMET	1	
61	3550032-T0301	WASHER, M6	2	
62	2102150-T0301	SENSOR, WATER TEMPERATURE	1	
63	3550020-T0301	SEALING WASHER, M10	1	
64	3330030-T0301	SCREW, TORX, M6 x 16	1	
65	3600160-T0301	O RING, WATER PUMP	1	
66	T3600230	SEAL	1	
67	T2102282	HOSE CLIP	3	
68	T2102283	HOSE CLIP	2	
69	T2102284	HOSE CLIP	2	



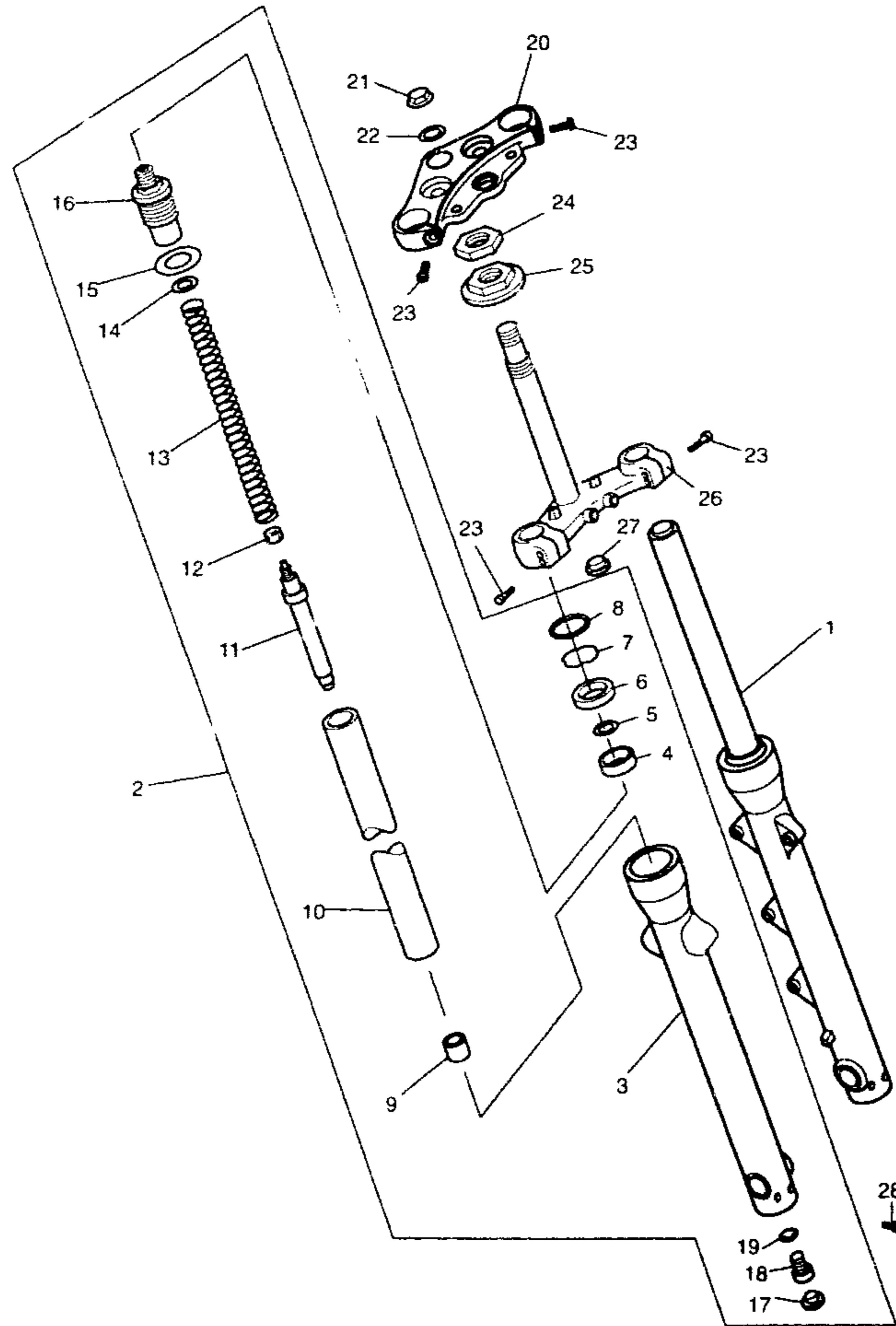
SECTION 6

COMPONENT GROUP	FRAME No:
Front Forks & Yokes	Frame 6-2
Handlebars & Handlebar Switches	Frame 6-3
Control Cables	Frame 6-4
Clutch Master Cylinder	Frame 6-5

**SEE
NEXT
FRAME**

Front Forks & Yokes

Front Forks & Yokes

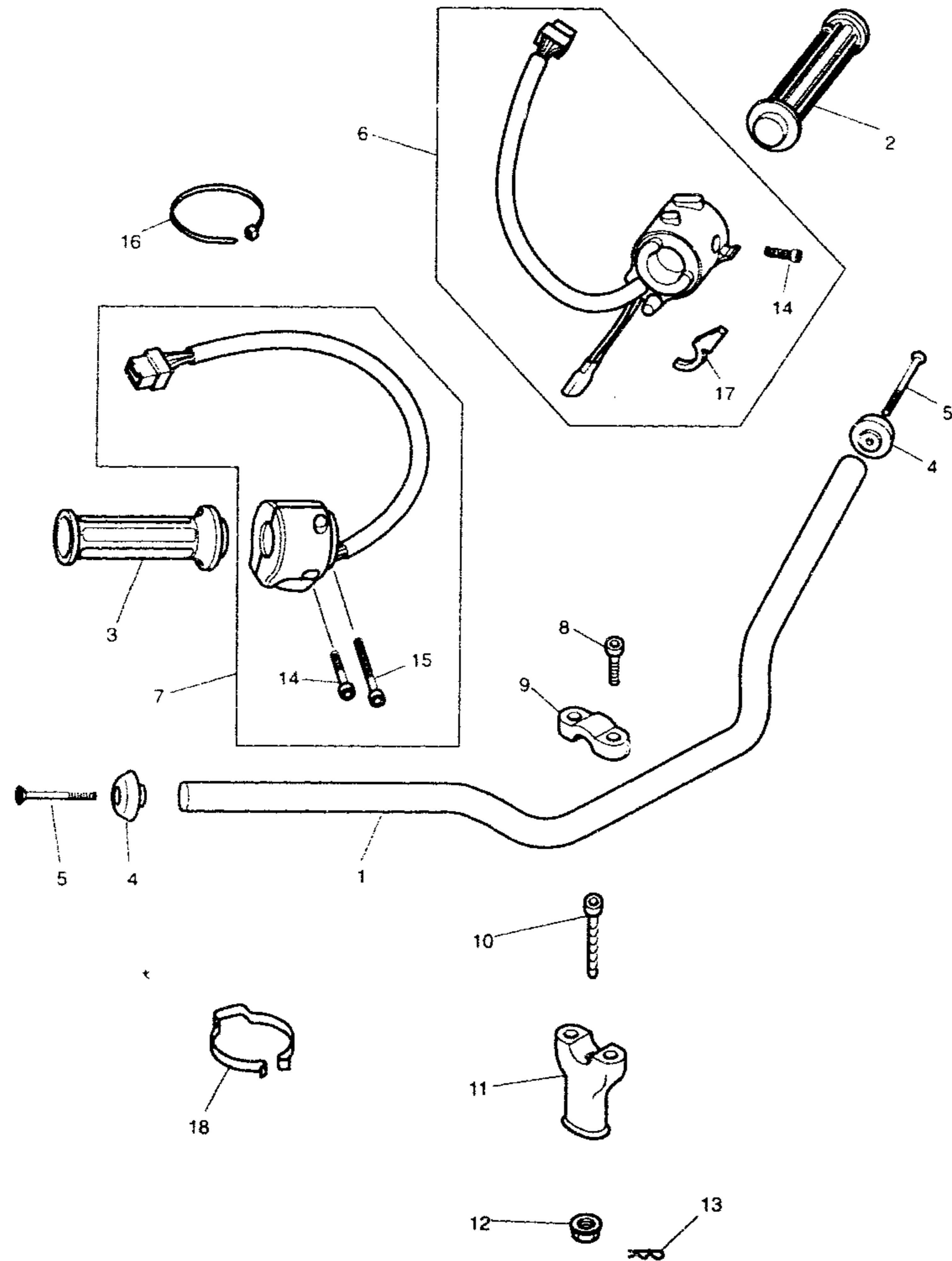


Ref	Part Number	Description	Qty	VIN Range, Market, Comments etc.
1	T2042857	STANCHION ASSY, LH	1	
2	T2042858	STANCHION ASSY, RH	1	
3	T2045081	TUBE, OUTER, LH	1	
3	T2045080	TUBE, OUTER, RH	1	
4	T2045085	SLIDING BUSH	2	
5	2040077-T0301	WASHER, OIL SEAL	2	
6	2040078-T0301	OIL SEAL	2	
7	2040079-T0301	SNAP RING	2	
8	2040080-T0301	DUST SEAL	2	
9	T2042020	OIL LOCK ASSY	2	
10	T2045082	TUBE, INNER ASSY	2	
11	T2045084	CYLINDER ASSY	2	
12	2040072-T0301	NUT	2	
13	T2045086	SPRING	2	
14	2040082-T0301	WASHER, SPRING SPACER	2	
15	2040081-T0301	O RING	2	
16	2040071-T0301	CAP ASSEMBLY	2	
17	3450065-T0301	PLUG	2	
18	2040075-T0301	CAPSCREW, OIL LOCK	2	
19	2040074-T0301	SEALING WASHER, B	2	
20	T2040860	UPPER YOKE	1	
21	2040060-T0301	NUT, CLOSED, UPPER YOKE	1	
22	2040061-T0301	WASHER, UPPER YOKE	1	
23	T3050132	CAPSCREW, M8 x 25	6	
24	2040210-T0301	ADJUSTER NUT UPPER	1	
25	T2040240	ADJUSTER NUT ASSY, LOWER	1	
26	T2042853	LOWER YOKE ASSY	1	
27	3450060-T0301	CAP	1	
28	T3050130	CAPSCREW, M8 x 40	2	



Handlebars & Handlebar Switches

Handlebars & Handlebar Switches



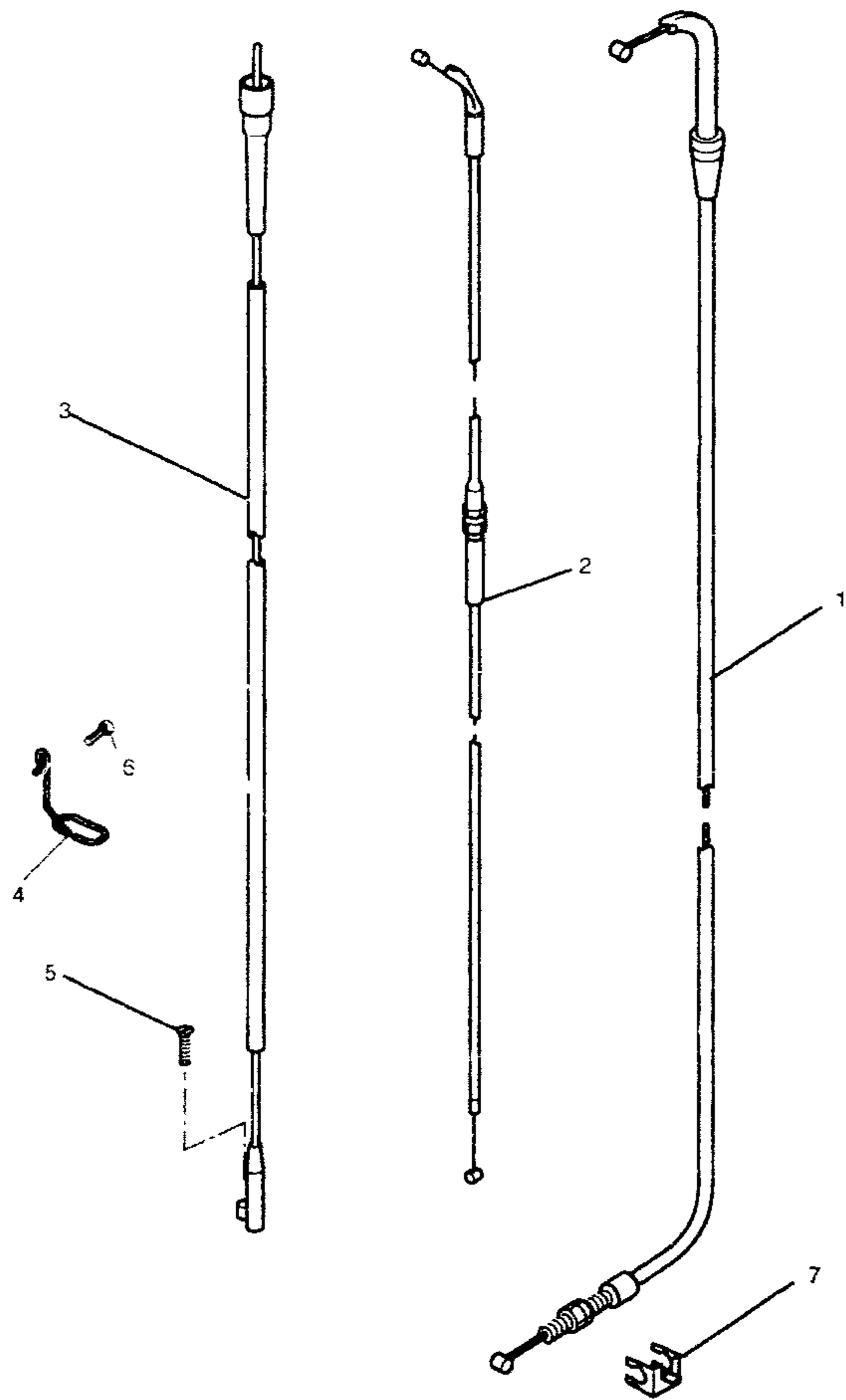
Ref	Part Number	Description	Qty	VIN Range. Market. Comments etc.
1	T2043475	HANDLEBAR, CHROME	1	
2	T2040143	GRIP, HANDLEBAR, LH	1	
3	T2040144	GRIP HANDLEBAR, RH	1	
4	T2040047	END WEIGHT	2	
5	3330535-T0301	SCREW M5 x 30	2	
6	T2040129	SWITCH, HANDLEBAR, LH	1	
7	T2040128	SWITCH, HANDLEBAR, RH	1	
7	T2040131	SWITCH, HANDLEBAR, RH	1	CA, US, SG, MY, JP
8	T3050071	CAPSCREW, M8 x 30	4	
9	T2040551	HANDLEBAR CLAMP, UPPER	2	
10	T3200072	BOLT	2	
11	T2040550	HANDLEBAR CLAMP, LOWER	2	
12	2043082-T0301	NUT	2	
13	3000080-T0301	R' CLIP	2	
14	3330018-T0301	SCREW, PHIL, M5 x 25	3	1 FOR RH, 2 FOR LH
15	3330019-T0301	SCREW, PHIL, M5 x 40	1	
16	3700015-T0301	CABLE TIE	2	SECURES SWITCH CUBE WIRING
17	T2040137	CHOKE LEVER	1	
18	3700025-T0301	CLIP, HARNESS	1	



Control Cables

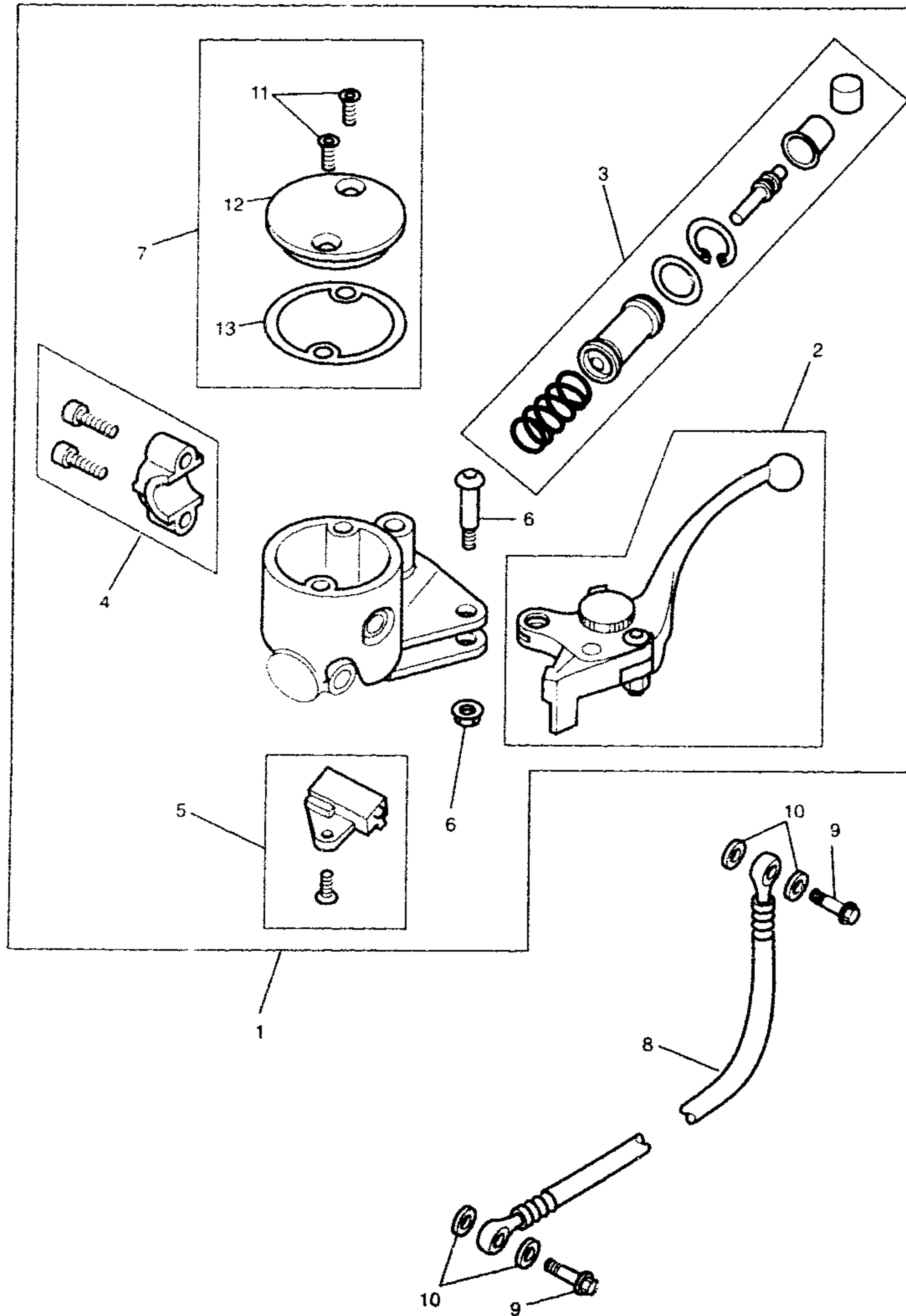
Control Cables

Ref	Part Number	Description	Qty	VIN Range, Market, Comments etc.
1	T2043489	CABLE, THROTTLE	1	
2	2043500-T0301	CABLE, CHOKE	1	
3	T2040875	CABLE, SPEEDOMETER	1	
4	T2043517	GUIDE, SPEEDOMETER CABLE	1	
5	3330017-T0301	SCREW, M5 x 20	1	
6	3330030-T0301	CAPSCREW, M6 x 12	1	
7	T1240945	CLIP, THROTTLE CABLE	1	



Clutch Master Cylinder

Clutch Master Cylinder



Ref	Part Number	Description	Qty	VIN Range. Market. Comments etc.
1	T2040204	M'CYLINDER ASSY. CLUTCH	1	
2	2040351-T0301	LEVER ASSY. POLISHED	1	
3	2040040-T0301	PISTON SET	1	
4	2040043-T0301	CLAMP SET, M'CYLINDER	1	
5	2040038-T0301	SWITCH, M'CYLINDER, CLUTCH	1	
6	2020158-T0301	PIVOT BOLT SET	1	
7	T2020122	COVER SET, M'CYLINDER	1	
8	T2043538	HOSE, CLUTCH, BFAIDED	1	
9	3250006-T0301	BANJO BOLT M10 x 20	2	
10	T3550008	WASHER BANJO, M10	4	
11	2020166-T0301	SCREW, RESERVOIR	2	
12	T2020007	COVER, M'CYL, CLUTCH	1	
13	T2020008	GASKET, M'CYL, CLUTCH	1	

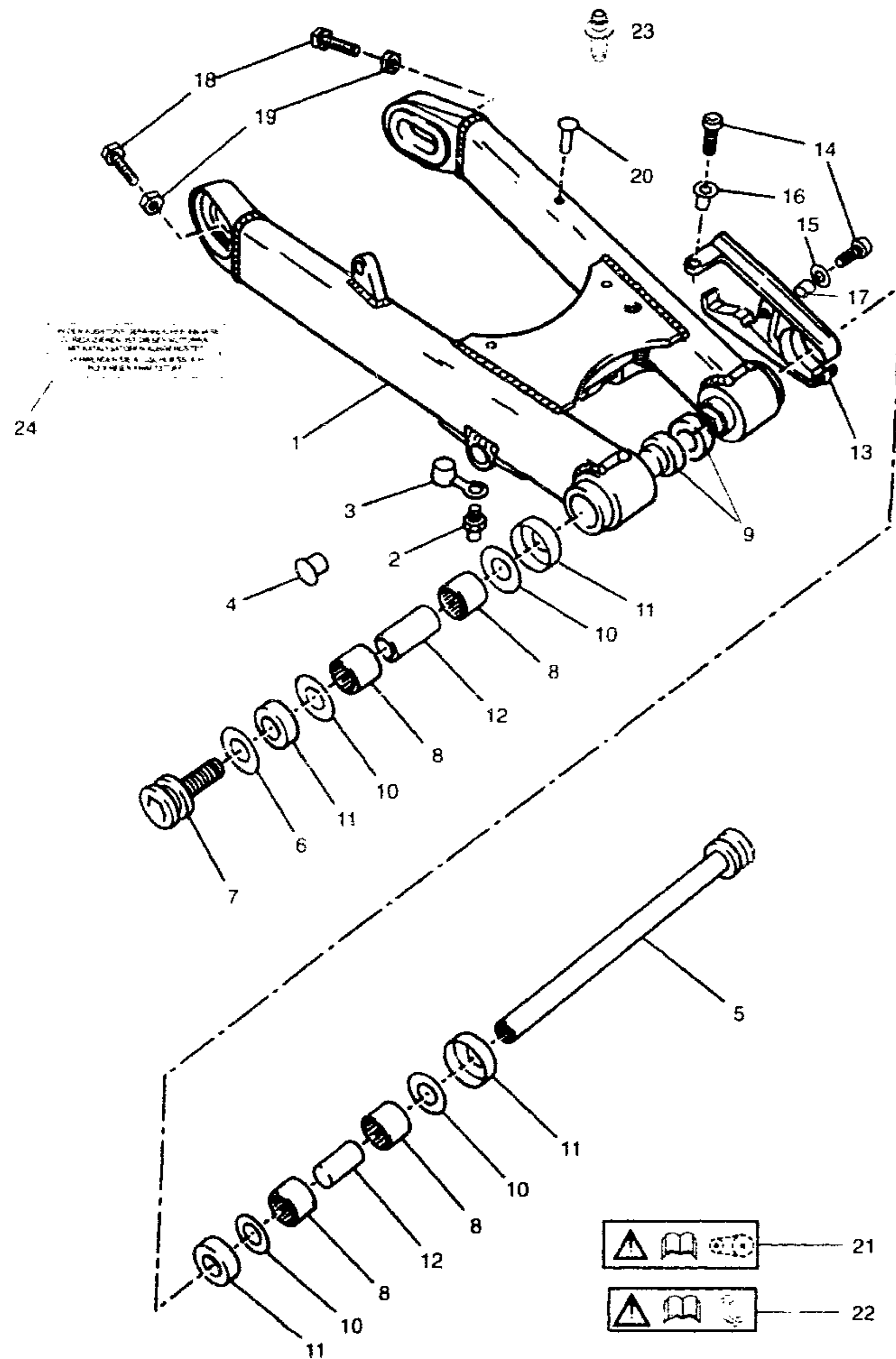


SECTION 7

COMPONENT GROUP	FRAME No:
Swinging Arm	Frame 7-2
Rear Suspension Linkage	Frame 7-3
Rear Suspension Unit	Frame 7-4

**SEE
NEXT
FRAME**

Swinging Arm



Swinging Arm

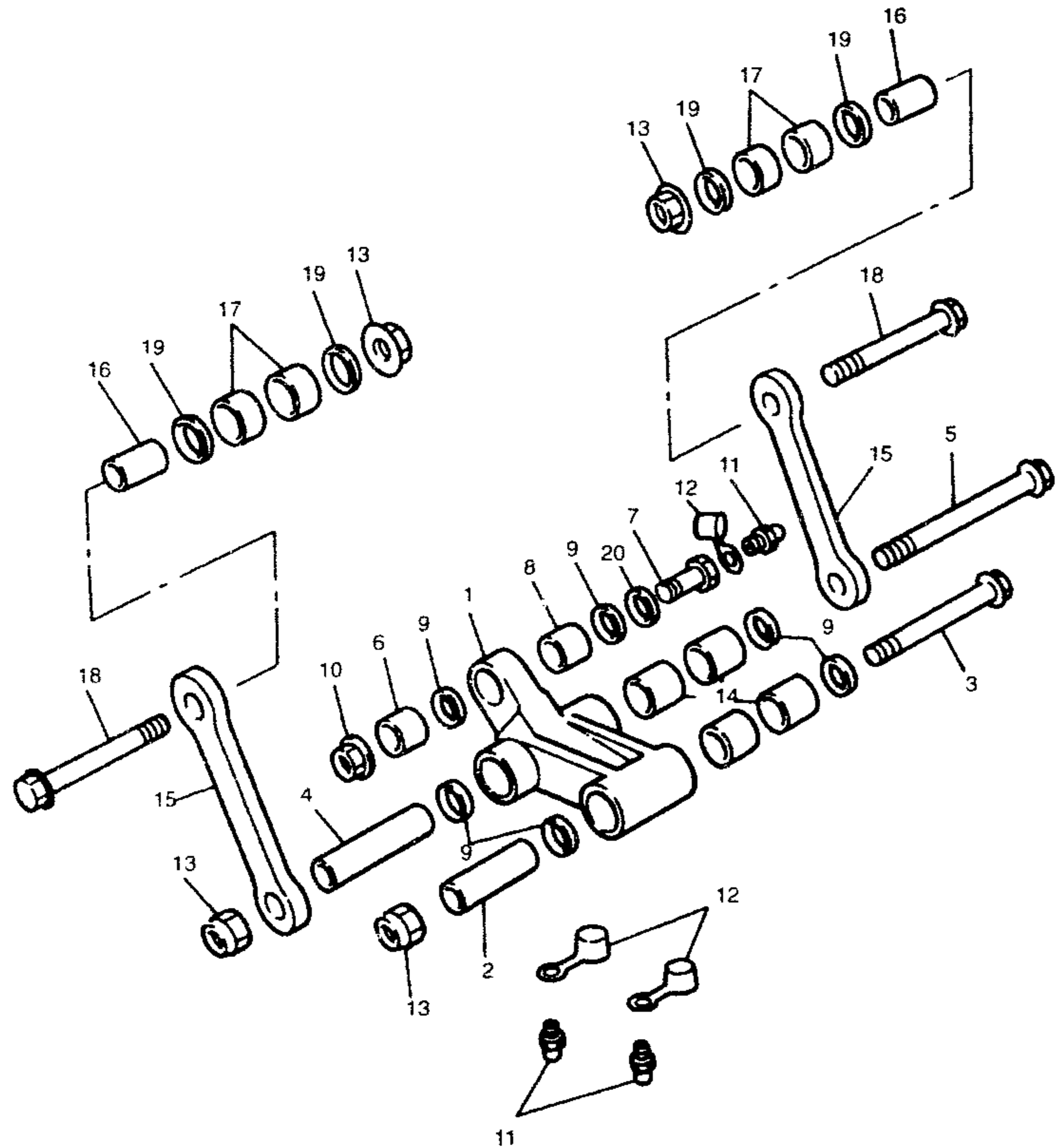
Ref	Part Number	Description	Qty	VIN Range, Market, Comments etc.
1	T2056712	SWINGING ARM ASSY, BLACK	1	INCLUDES BEARINGS ETC
2	3450007-T0301	GREASE NIPPLE	2	
3	3450008-T0301	COVER, GREASE NIPPLE	2	
4	3450190-T0301	CAP, DROP LINK PIVOT	2	
5	2056002-T0301	SPINDLE SWINGING ARM	1	
6	3550010-T0301	WASHER, M14	1	
7	T2056020	BOLT, SPINDLE	1	
8	3800014-T0301	BEARING, NEEDLE ROLLER	4	
9	2056993-T0301	PLUG, SWINGING ARM	2	
10	2056970-T0301	SHIM, SWINGING ARM	4	
11	2056003-T0301	THRUST SEAL	4	
12	2056960-T0301	SLEEVE	2	
13	T2056760	RUBBING STRIP	1	
14	3330004-T0301	SCREW, TORX	2	
15	3550009-T0301	WASHER, M6	1	
16	T3010117	FLANGED SLEEVE	1	
17	3000020-T0301	SPACER	1	
18	T3330615	SCREW, M8 x 55	2	
19	T3350027	NUT, PLAIN, M8	2	
20	3450009-T0301	PLUG, M6	1	
21	T3900031	LABEL, DRIVE CHAIN	1	
22	T3900320	LABEL, TYRE INFORMATION	1	
23	T3350039	RIV-NUT KIT	A/R	HEXAGONAL
23	T3350042	RIV-NUT KIT	A/R	ROUND
24	T3900131	LABEL, CATALYTIC CONVERTOR	1	DE



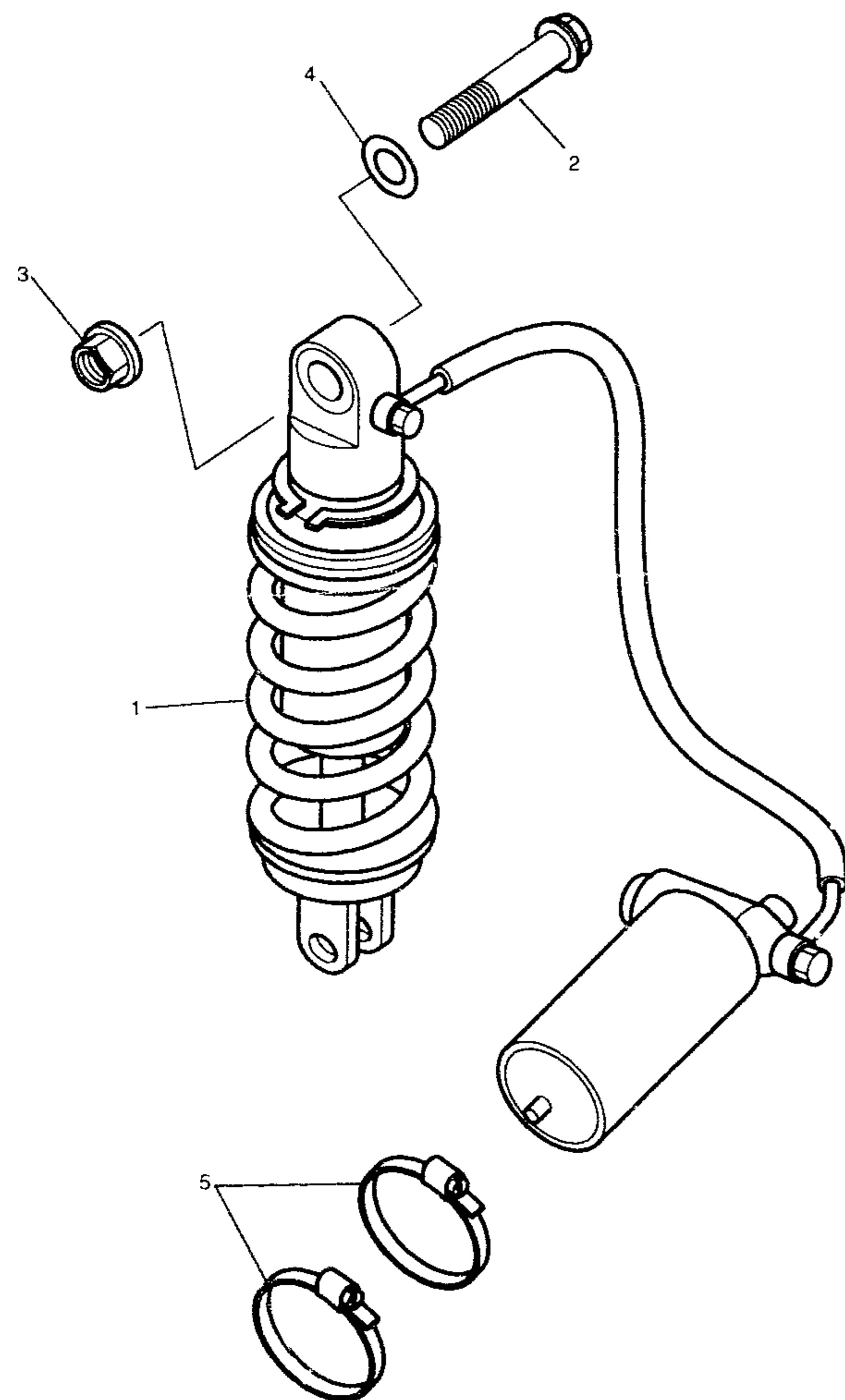
Rear Suspension Linkage

Rear Suspension Linkage

Ref	Part Number	Description	Qty	VIN Range, Market, Comments etc.
1	2059300-T0301	DRAG LINK	1	
2	2059140-T0301	SLEEVE, DRAG LINK	1	
3	3330251-T0301	SCREW, TORX, M12 x 119	1	
4	2059310-T0301	SLEEVE, DRAG LINK	1	
5	T3330261	SCREW, TORX, M12 x 130	1	
6	2059445-T0301	SLEEVE	1	
7	T2059321	BOLT, RSU	1	
8	3800060-T0301	BEARING, NEEDLE ROLLER	1	
9	3600040-T0301	SEAL	6	
10	3350006-T0301	LOCKNUT, M12	1	
11	3450007-T0301	GREASE NIPPLE	3	
12	3450008-T0301	COVER, GREASE NIPPLE	3	
13	3350170-T0301	LOCKNUT, M12	4	
14	3800025-T0301	BEARING, NEEDLE ROLLER	4	
15	T2059470	DROP LINK	2	
16	2059330-T0301	SLEEVE, DROP LINK	2	
17	3800050-T0301	BEARING, NEEDLE ROLLER	4	
18	3330232-T0301	SCREW, TORX, M12 x 85	2	
19	3600080-T0301	SEAL	4	
20	3550220-T0301	WASHER, HARDENED	1	



Rear Suspension Unit



Rear Suspension Unit

Ref	Part Number	Description	Qty	VIN Range, Market, Comments etc.
1	T2050650	REAR SUSPENSION UNIT	1	
2	3330210-T0301	SCREW, TORX, M12x56	1	
3	3350006-T0301	LOCKNUT, M6, FLANGED	1	
4	3550220-T0301	WASHER, HARDENED	1	
5	T3700079	CLIP	2	



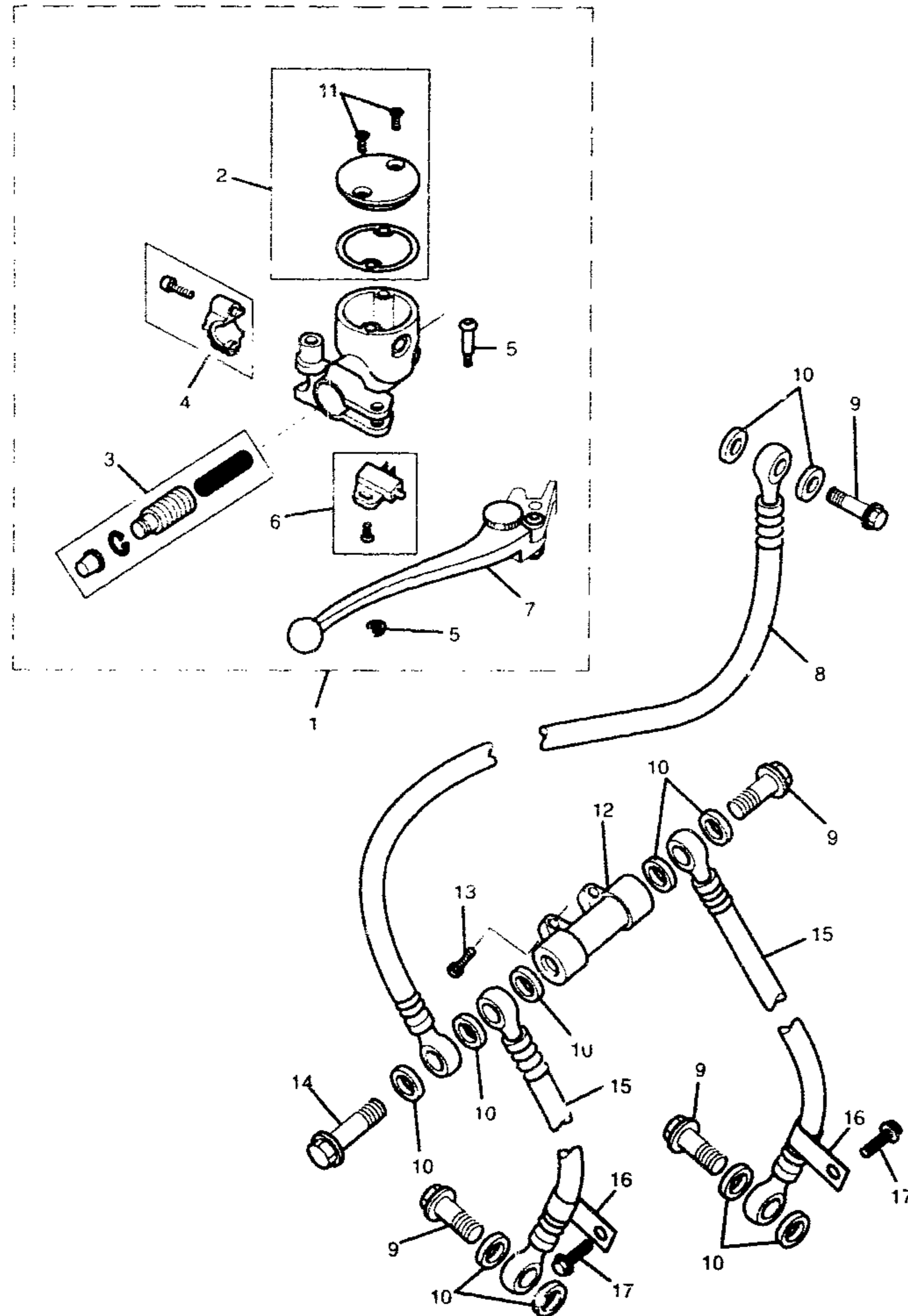
SECTION 8

COMPONENT GROUP	FRAME No:
Front Brake Master Cylinder	Frame 8-2
Front Brake Caliper & Disc	Frame 8-3
Rear Brake Master Cylinder	Frame 8-4
Rear Brake Disc & Caliper	Frame 8-5

**SEE
NEXT
FRAME**

Front Brake Master Cylinder

Front Brake Master Cylinder

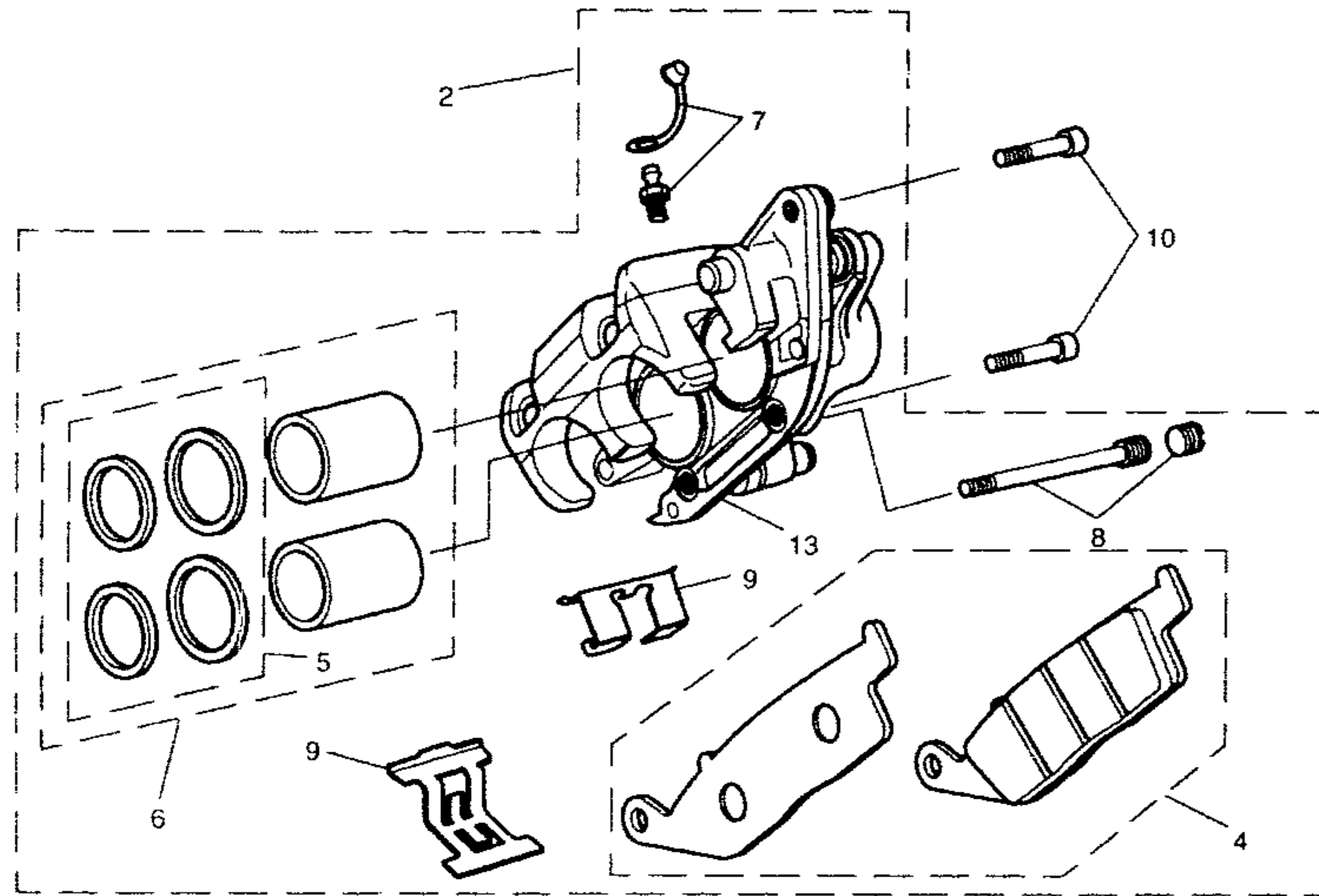


Ref	Part Number	Description	Qty	VIN Range, Market, Comments etc.
1	T2020121	MASTER CYLINDER ASSY	1	
2	T2020122	COVER SET, MASTER CYLINDER	1	
3	T2020006	PISTON AND SEAL SET	1	
4	2020156-T0301	CLAMP SET	1	
5	2020158-T0301	PIVOT BOLT SET	1	
6	2020154-T0301	BRAKE LIGHT SWITCH ASSY	1	
7	2020112-T0301	LEVER ASSY	1	
8	T2023112	BRAKE HOSE UPPER, BRAIDED	1	
9	3250006-T0301	BOLT, BRAKE UNION, M10x20	4	
10	T3550008	SEALING WASHER, M10	11	
11	2020166-T0301	SCREW, RESERVOIR	2	
12	2020012-T0301	JOINT, FRONT BRAKE HOSE	1	
13	3330034-T0301	SCREW, M6 x 20	2	
14	T3250009	BOLT, BANJO, M10 x 31	1	
15	T2020619	BRAKE HOSE, LOWER, BRAIDED	2	
15	T2020649	BRAKE HOSE, LOWER	2	JP
16	3700020-T0301	P CLIP	2	
17	3330030-T0301	SCREW, M6 x 12	2	

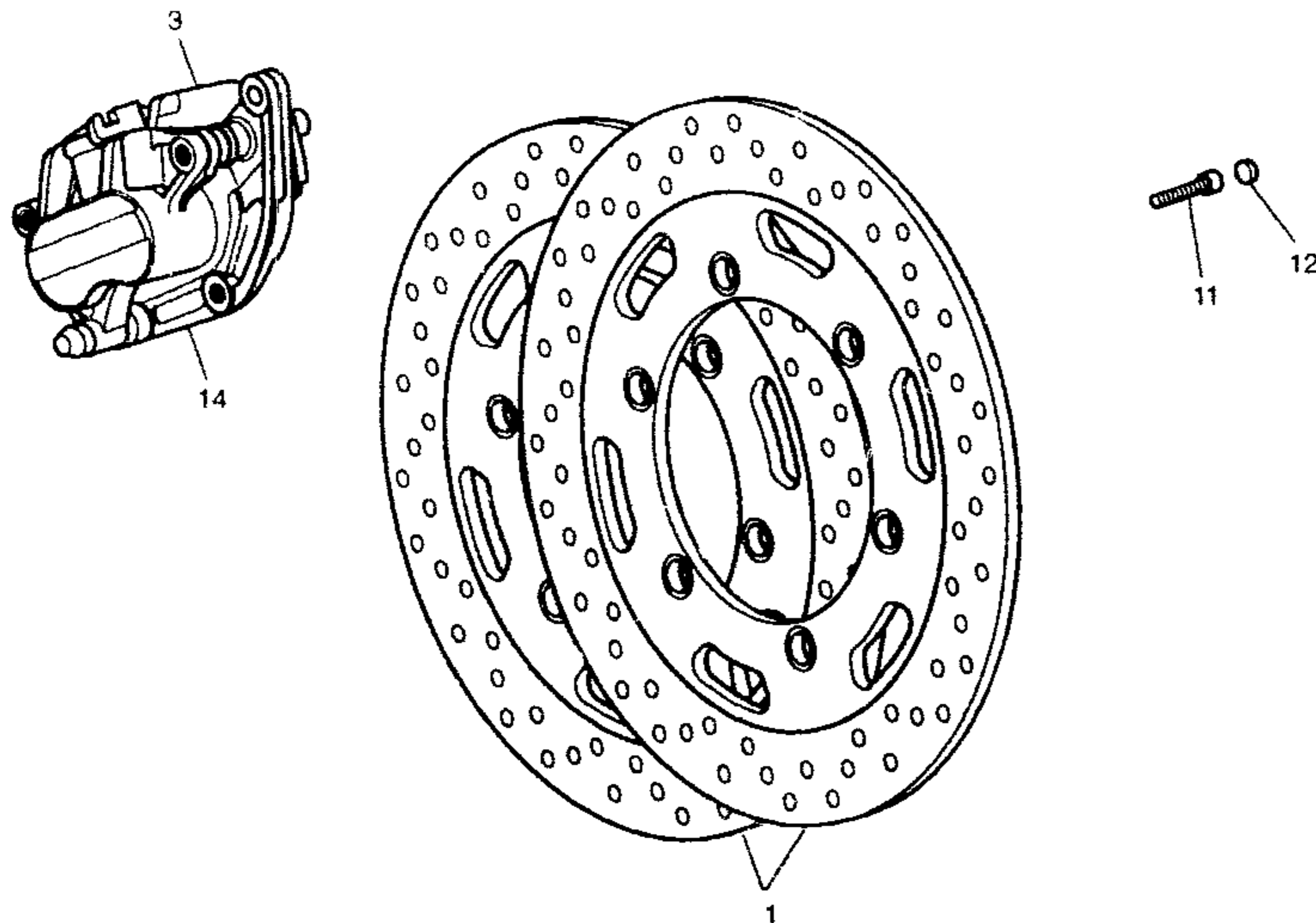


Front Brake Caliper & Disc

Front Brake Caliper & Disc

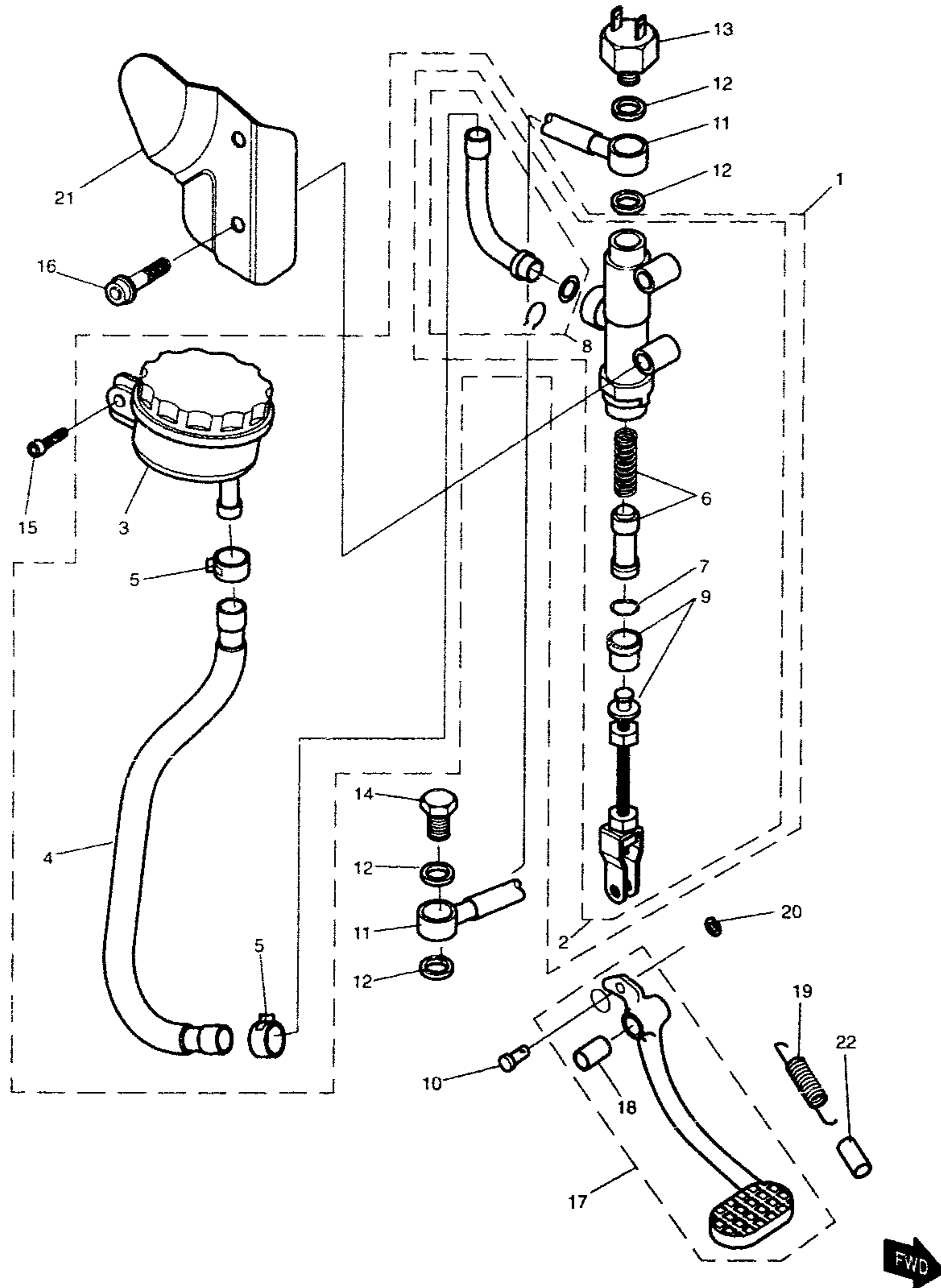


Ref	Part Number	Description	Qty	VIN Range, Market, Comments etc.
1	T2023310	DISC, FRONT	2	
2	T2020530	CALIPER ASSEMBLY, FRONT, LH	1	
3	T2020540	CALIPER ASSEMBLY, FRONT, RH	1	
4	T2020077	BRAKE PAD SET	2	CONTAINS 2 PADS
5	T2020505	SEAL KIT, CALIPER	1	
6	2020050-T0301	PISTON AND SEAL KIT, CALIPER	1	
7	2020014-T0301	BLEED SCREW & CAP ASSY	1	
8	T2020084	PAD PIN SET	1	
9	T2020086	PAD SPRING SET	1	
10	T3050085	BOLT, M8 x 40, S/S	4	
11	T2023230	BOLT, DISC FIXING	12	
12	3450200-T0301	CAP, DISC/CALIPER FIXING	12	
13	T2025409	MOUNTING PLATE, CALIPER, LH	1	
14	T2025408	MOUNTING PLATE, CALIPER, RH	1	



Rear Brake Master Cylinder

Rear Brake Master Cylinder

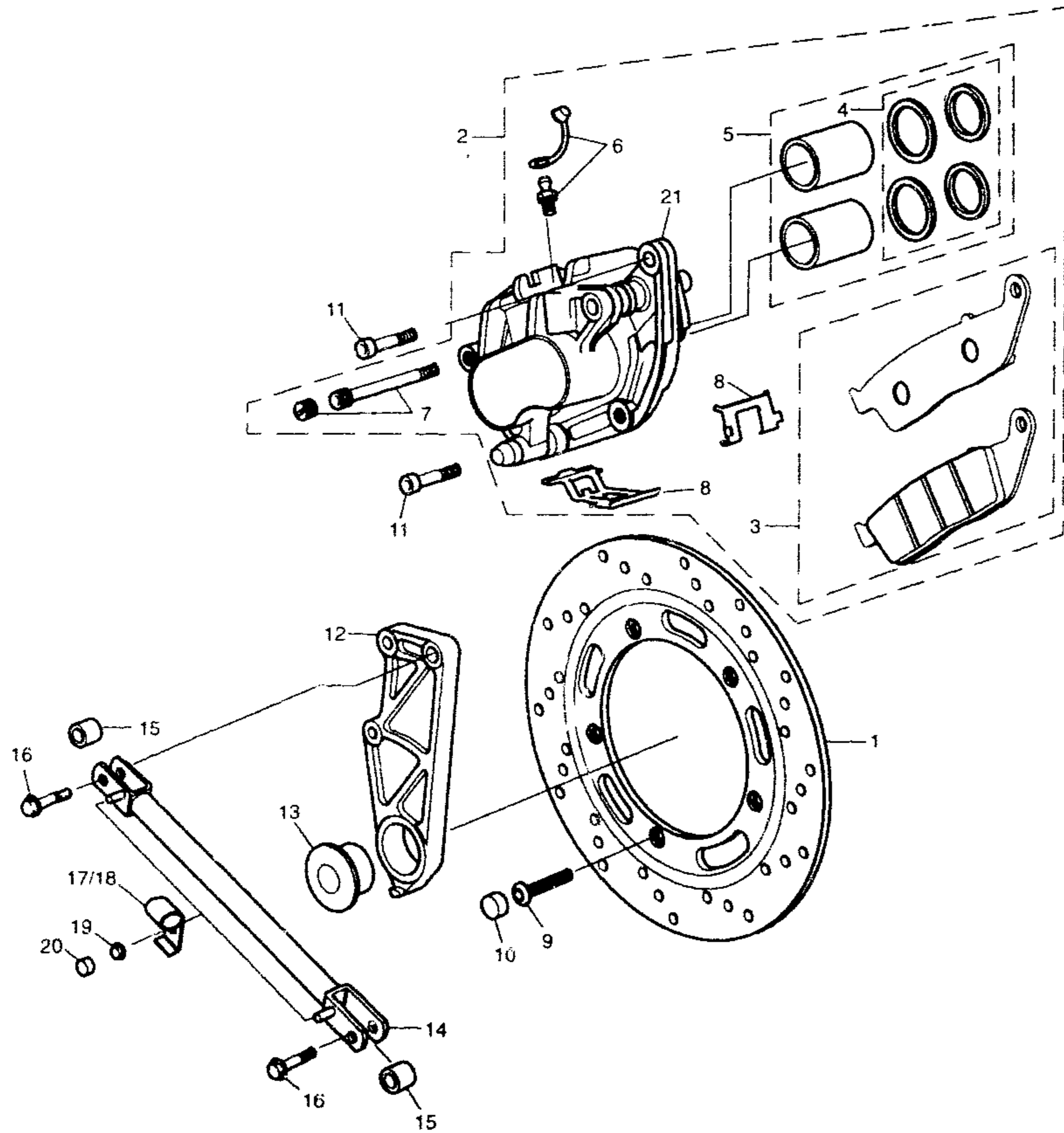


Ref	Part Number	Description	Qty	VIN Range, Market, Comments etc.
1	T2023135	M'CYLINDER ASSY, REAR, COMPLETE	1	
2	2023140-T0301	M'CYLINDER, REAR	1	
3	2020430-T0301	RESERVOIR, REAR M'CYLINDER	1	
4	T2020415	HOSE, M'CYLINDER RESERVOIR	1	
5	2020440-T0301	CLIP, RESERVOIR HOSE	2	
6	2020031-T0301	PISTON SET, REAR M'CYLINDER	1	
7	2020472-T0301	CIRCLIP, M'CYLINDER, REAR	1	
8	2020476-T0301	CONNECTOR SET	1	
9	2020488-T0301	PUSHROD ASSY	1	
10	T3000017	PIN, CLEVIS, 8mm	1	
11	T2023115	BRAKE HOSE, REAR	1	
12	T3550008	WASHER, BANJO, M10	4	
13	2023120-T0301	SWITCH, REAR BRAKE	1	
14	3250006-T0301	BANJO BOLT, M10x20	1	
15	3210035-T0301	SCREW, TORX M6x16	1	
16	3200118-T0301	CAPSCREW, M8x45	2	
17	T2020380	BRAKE PEDAL ASSY	1	
18	T3750006	BUSH, BRAKE PEDAL	1	
19	T2020017	SPRING, BRAKE PEDAL	1	
20	3000013-T0301	CLIP, CLEVIS PIN	1	
21	T2020426	COVER, REAR BRAKE M'CYLINDER	1	
22	T2020018	SLEEVE, BRAKE PEDAL SPRING	1	

Rear Brake Disc & Caliper

Rear Brake Disc & Caliper

Ref	Part Number	Description	Qty	VIN Range. Market. Comments etc.
1	T2023355	DISC, REAR	1	
2	T2020540	CALIPER ASSEMBLY, REAR	1	
3	T2020077	BRAKE PAD SET	1	CONTAINS 2 PADS
4	T2020505	SEAL KIT, CALIPER	1	
5	2020050-T0301	PISTON AND SEAL KIT, CALIPER	1	
6	2020014-T0301	BLEED SCREW & CAP ASSY	1	
7	T2020084	PAD PIN SET	1	
8	T2020086	PAD SPRING SET	1	
9	T2023230	BOLT, BRAKE DISC TO HUB	5	
10	3450200-T0301	CAP, M8, DISC FIXING	5	
11	T3050085	BOLT, M8X40, S/S	2	
12	T2020822	CALIPER CARRIER ASSY	1	
13	2020803-T0301	SLEEVE, CALIPER CARRIER	1	
14	T2020107	TORQUE ARM	1	
15	3000050-T0301	SLEEVE, M8	2	
16	3200030-T0301	BOLT, M8 x 35	2	
17	3700020-T0301	P-CLIP	1	
18	3700023-T0301	P-CLIP, EXTENDED	1	
19	3350012-T0301	LOCKNUT FLANGED, M6	2	
20	3450051-T0301	CAP, 10mm A/F	2	
21	T2025408	MOUNTING PLATE	1	



SECTION 9

COMPONENT GROUP **FRAME No:**

Front Wheel Frame 9-2

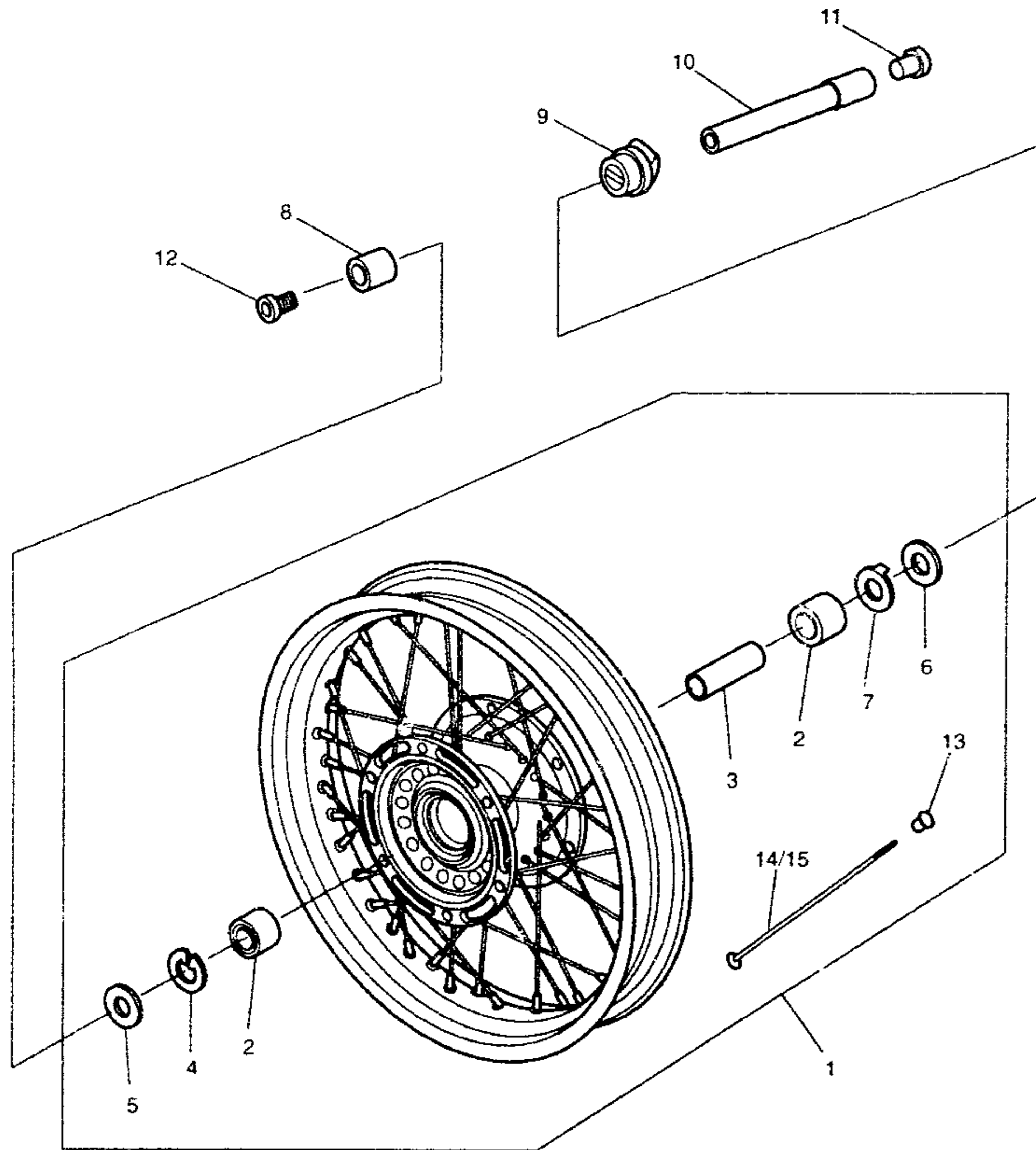
Rear Wheel & Final Drive Frame 9-3

Tyres & Inner Tubes Frame 9-4

**SEE
NEXT
FRAME**

Front Wheel

Front Wheel



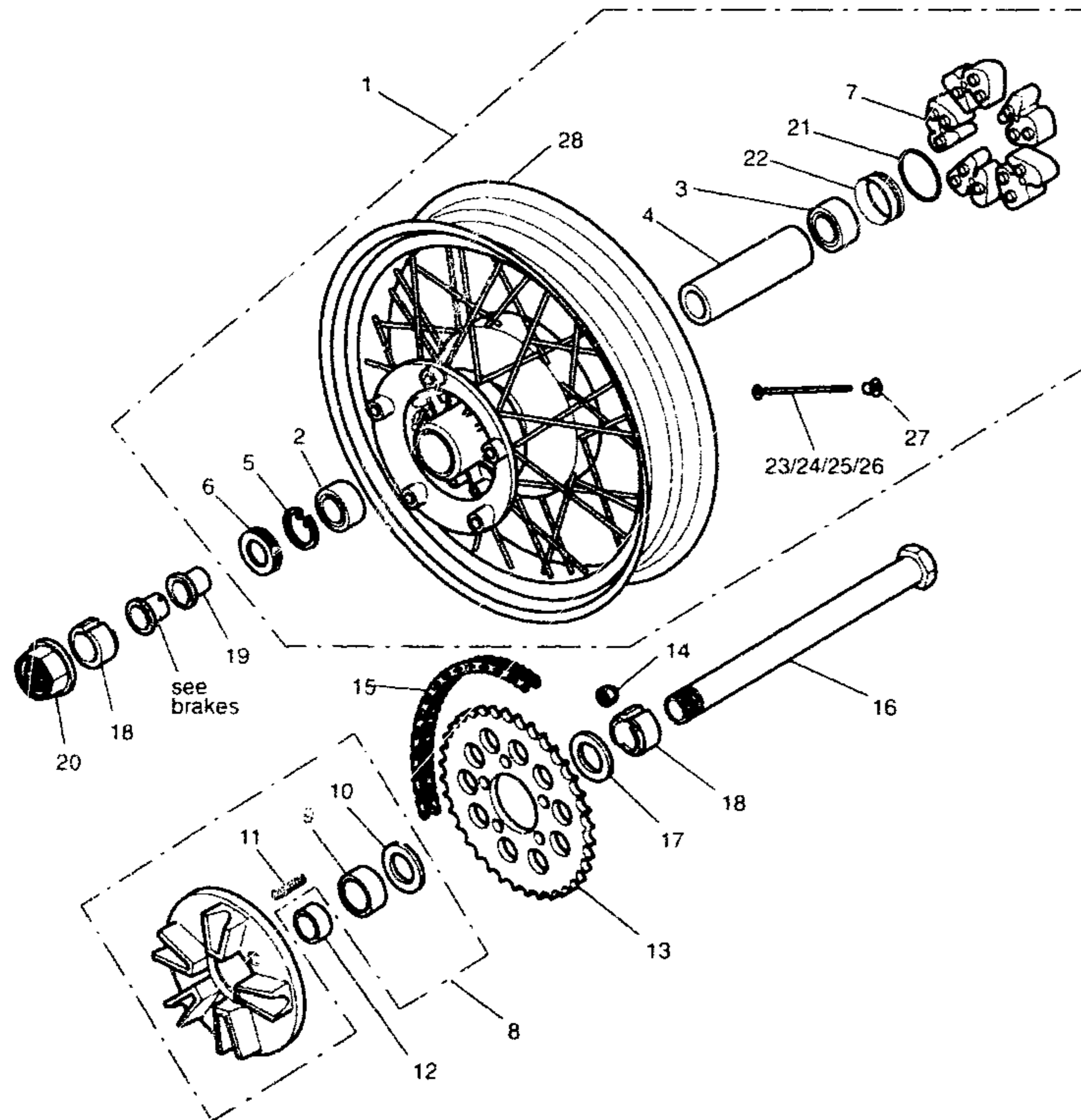
Ref	Part Number	Description	Qty	VIN Range, Market, Comments etc.
1	T2000200	WHEEL, FRONT, ASSY	1	
2	3800015-T0301	BEARING, BALL	2	
3	T2004297	SPACER, INTERNAL	1	
4	3500012-T0301	CIRCLIP, FRONT WHEEL	1	
5	3600019-T0301	SEAL	1	
6	3600020-T0301	SEAL	1	
7	2001111-T0301	DRIVE RING, SPEEDOMETER	1	
8	2000008-T0301	SLEEVE, FRONT SPINDLE	1	
9	T2001155	SPEEDOMETER DRIVE ASSY	1	
10	T2004165	SPINDLE, FRONT WHEEL	1	
11	3450045-T0301	BUNG, WHEEL SPINDLE	1	
12	T2000021	BOLT, FRONT SPINDLE	1	
13	T2004355	NIPPLE, SPOKES	36	
14	T2004380	SPOKE, FRONT, INNER	18	
15	T2004381	SPOKE, FRONT, OUTER	18	



Rear Wheel & Final Drive

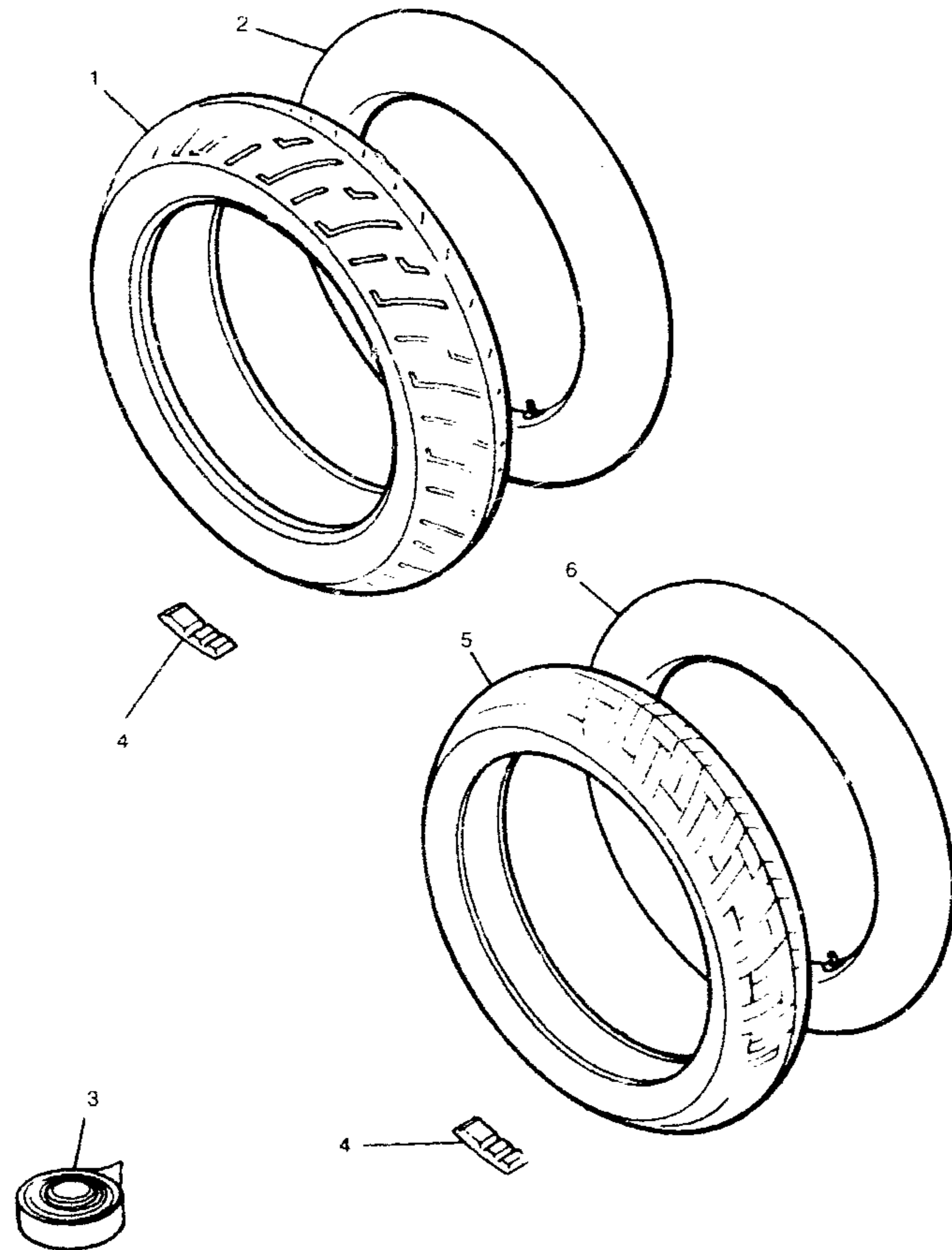
Rear Wheel & Final Drive

Ref	Part Number	Description	Qty	VIN Range, Market, Comments etc.
1	T2010200	REAR WHEEL ASSY	1	
2	3800016-T0301	BEARING, BALL	1	
3	3800017-T0301	BEARING, BALL	1	
4	2012050-T0301	SPACER, INTERNAL	1	
5	3500013-T0301	CIRCLIP	1	
6	3600021-T0301	SEAL	1	
7	2012210-T0301	RUBBER, CUSH DRIVE	1	
8	T2012117	SPROCKET CARRIER S/ASSY	1	
9	3800018-T0301	BEARING, BALL	1	
10	3600022-T0301	SEAL	1	
11	T2012111	STUD, SPROCKET CARRIER	5	
12	2012090-T0301	SPACER, INTERNAL	1	
13	2010043-T0301	SPROCKET, REAR 43 TEETH	1	
14	3350006-T0301	LOCKNUT, M12	5	
15	T2010107	CHAIN, FINAL DRIVE 114 LINK	1	
16	T2011255	SPINDLE ASSY, REAR WHEEL	1	
17	2012073-T0301	SPACER LH	1	
18	T2056724	COLLAR, ADJUSTER	2	
19	2012063-T0301	SPACER, RH	1	
20	T3350150	NUT, SPINDLE	1	
21	3600023-T0301	'O' RING	1	
22	2012040-T0301	CARRIER, 'O' RING	1	
23	T2014096	SPOKE, RH INNER	10	
24	T2014097	SPOKE, RH OUTER	10	
25	T2014098	SPOKE, LH INNER	10	
26	T2014099	SPOKE, LH OUTER	10	
27	T2004355	SPOKE NIPPLE	40	
28	T2014025	RIM	1	



Tyres & Inner Tubes

Tyres & Inner Tubes



Ref	Part Number	Description	Qty	VIN Range, Market, Comments etc.
1	T2001347	TYRE, FRONT	1	AVON AV27
1	T2001337	TYRE, FRONT	1	PIRELLI DRAGON GT
2	T2001370	INNER TUBE, FRONT	1	AVON
3	T2010021	PROTECTION BAND	2	AVON
4	T2000060	BALANCE WEIGHT, 5G	A/R	
4	T2000061	BALANCE WEIGHT, 10G	A/R	
4	T2000062	BALANCE WEIGHT, 15G	A/R	
4	T2000063	BALANCE WEIGHT, 20G	A/R	
5	T2010127	TYRE, REAR	1	AVON AV281
5	T2010128	TYRE, REAR	1	PIRELLI DRAGON GT
6	T2010116	INNER TUBE, REAR	1	AVON

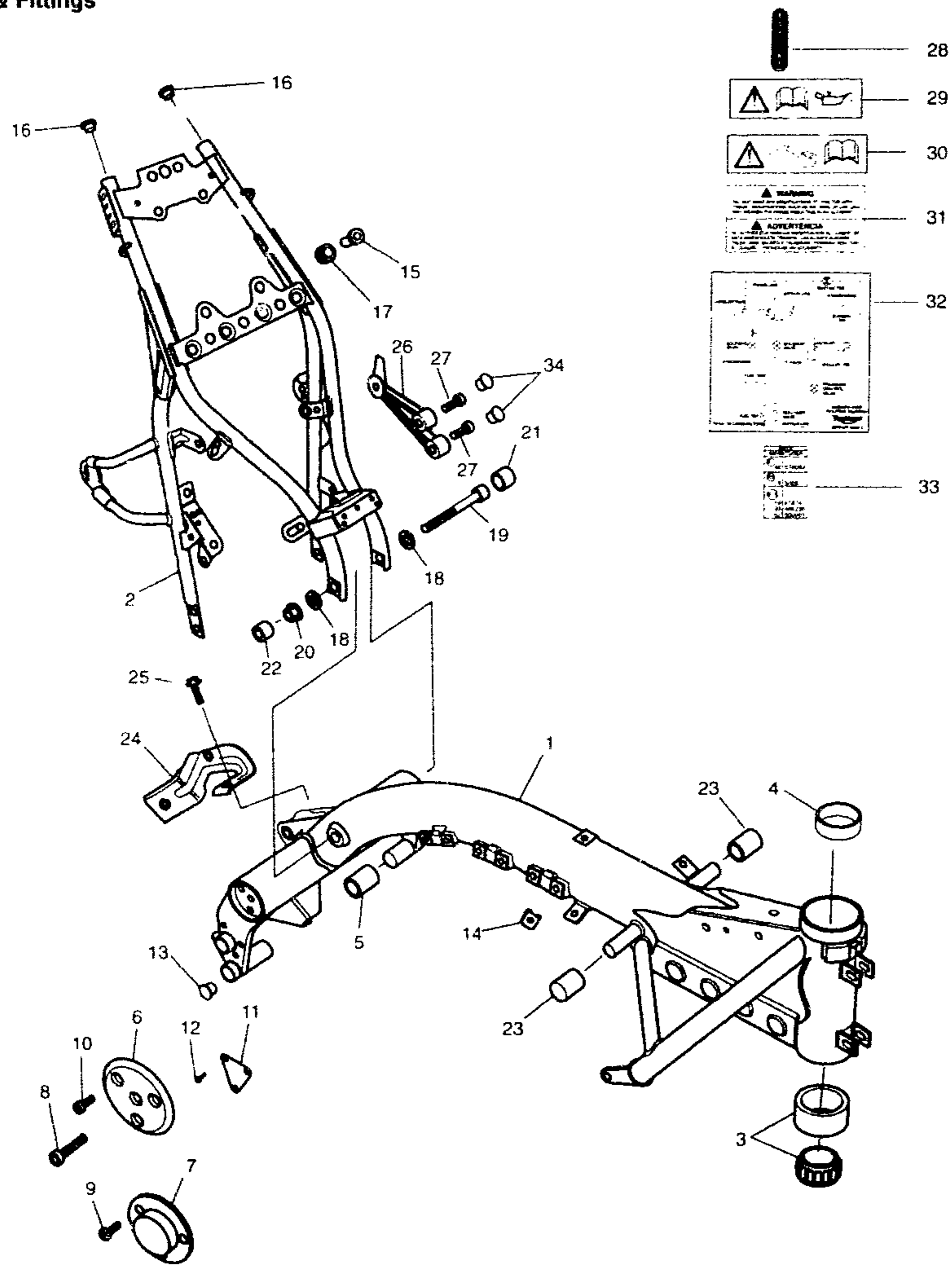


SECTION 10

COMPONENT GROUP	FRAME No:
Frame & Fittings	Frame 10-2
Frame & Fittings cont'd	Frame 10-3
Linkage Carrier & Engine Mounting Bolts	Frame 10-4
Footrests & Control Plates	Frame 10-5
Mudguards, Chainguard & Battery Box	Frame 10-6
Mudguards, Chainguard & Battery Box cont'd	Frame 10-7
Side Stand	Frame 10-8
Tool Kit	Frame 10-9

**SEE
NEXT
FRAME**

Frame & Fittings

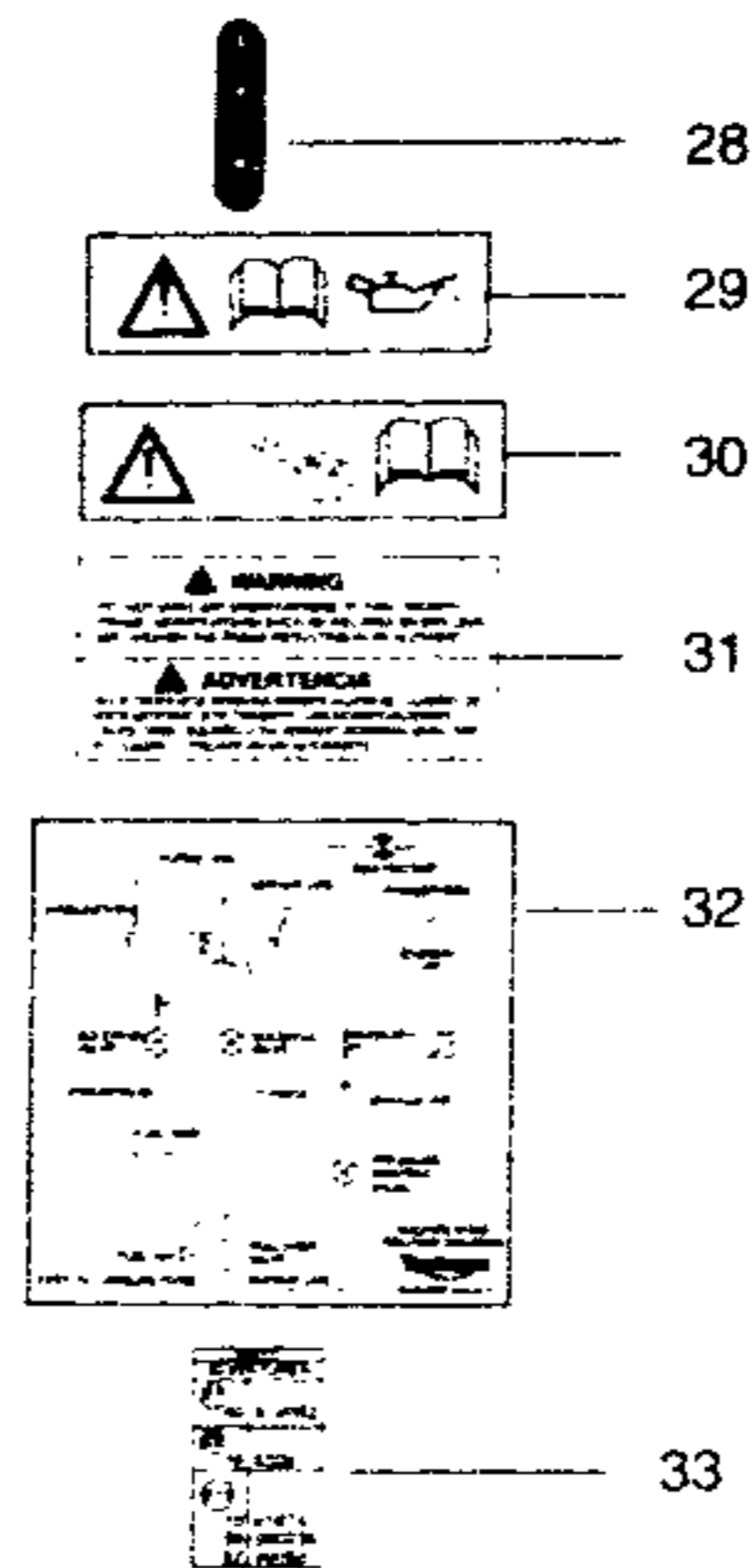
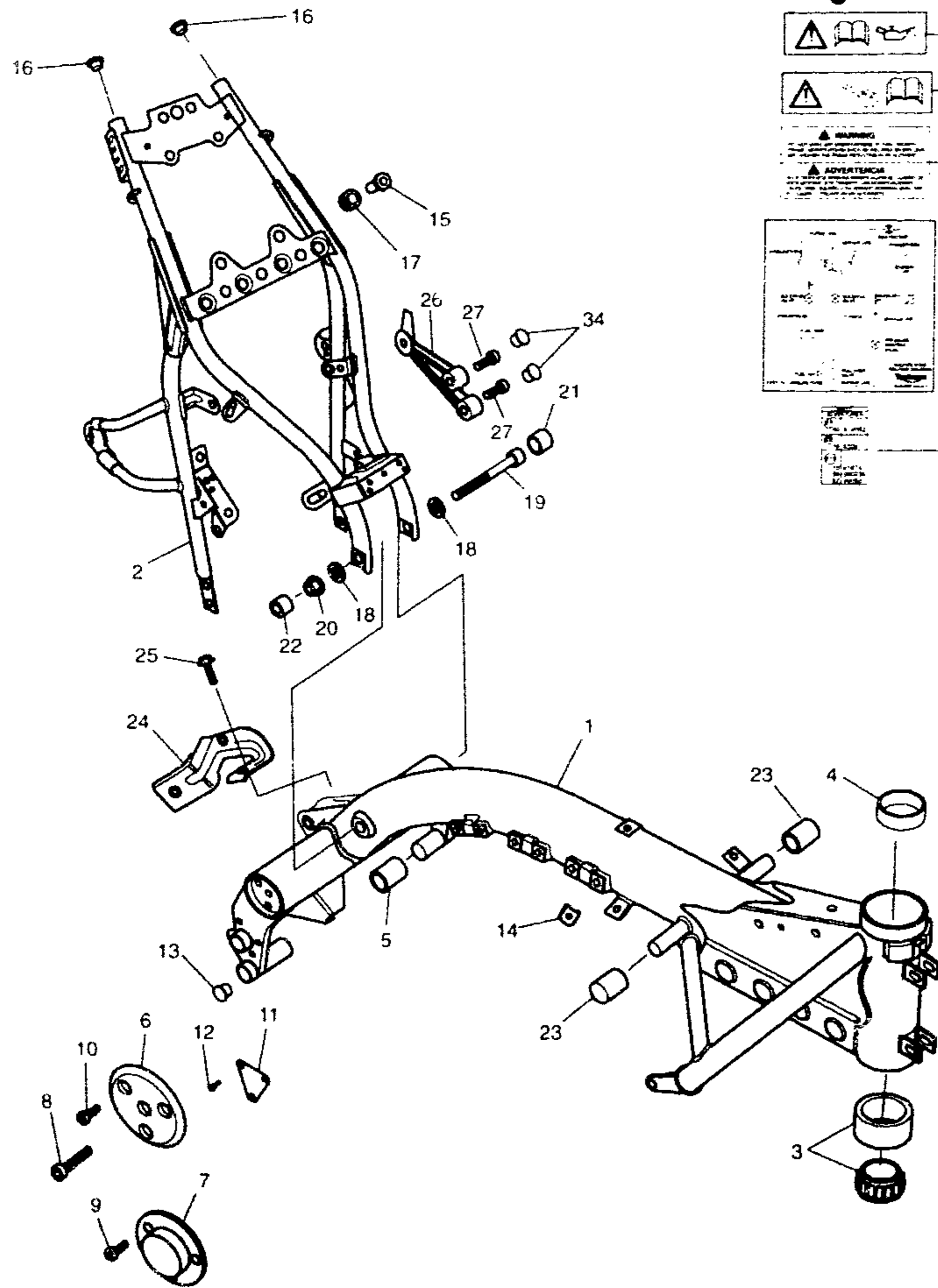


Frame & Fittings

Ref	Part Number	Description	Qty	VIN Range, Market, Comments etc.
1	T2079006	FRAME KIT, FRONT SECTION	1	NOT US, SG OR SOUTH AMERICA ▶ 71698
1	T2079007	FRAME KIT, FRONT SECTION	1	US 49 STATES, SG & SOUTH AMERICA ▶ 71698
1	T2079008	FRAME KIT, FRONT SECTION	1	US CAL ONLY ▶ 71698
1	T2079004	FRAME KIT, FRONT SECTION	1	CANADA ▶ 71698
1	T2079050	FRAME KIT, FRONT	1	NOT US, SG OR SOUTH AMERICA 71699 ▶
1	T2079055	FRAME KIT, FRONT	1	US 49 STATES, SG & SOUTH AMERICA 71699 ▶
1	T2079060	FRAME KIT, FRONT	1	US CAL ONLY 71699 ▶
1	T2079065	FRAME KIT, FRONT	1	CANADA 71699 ▶
2	T2070951	REAR SUBFRAME	1	(ALSO ORDER ITEM 28) ▶ 71698
2	T2070954	REAR SUBFRAME	1	(ALSO ORDER ITEM 28) 71699 ▶
3	3800031-T0301	BEARING, LOWER, HEADSTOCK	1	
4	T3800055	BEARING, UPPER HEADSTOCK	1	
5	T2078965	SLEEVE, CHAIN RUBBING	1	
6	T2071050	OUTRIGGER FINISHER, UPPER	2	▶ 71698
6	T2071021	OUTRIGGER FINISHER, UPPER	2	71699 ▶
7	T2071051	OUTRIGGER FINISHER, LOWER	2	▶ 71698
7	T2071031	OUTRIGGER FINISHER, LOWER	2	71699 ▶
8	T3050059	CAPSCREW, M6 x 20	2	
9	3050038-T0301	CAPSCREW, M6 x 10	6	
10	3050039-T0301	CAPSCREW, M6 x 8	6	
11	3900072-T0301	BADGE, PATENT	1	
12	3300090-T0301	RIVET, PATENT BADGE	3	
13	3450190-T0301	PLUG	2	
14	3350002-T0301	NUT, CAPTIVE, M5	6	IGNITION COIL TO SPINE
15	3010112-T0301	FLANGED SLEEVE	4	
16	3450060-T0301	CAP	2	
17	3020100-T0301	GROMMET	4	
18	T3550309	WASHER, 21 x 12 x 3.5	2	
19	3330251-T0301	BOLT, M12 x 119	1	
20	3350006-T0301	LOCKNUT, M12	1	
21	T2201208	BUSH, AIRBOX SUPPORT, LH	1	
22	T2201207	BUSH, AIRBOX SUPPORT, RH	1	
23	T2400059	BUSH, FUEL TANK MTG	2	
24	T2070711	BRACKET, AIRBOX SUPPORT	1	



Frame & Fittings cont'd



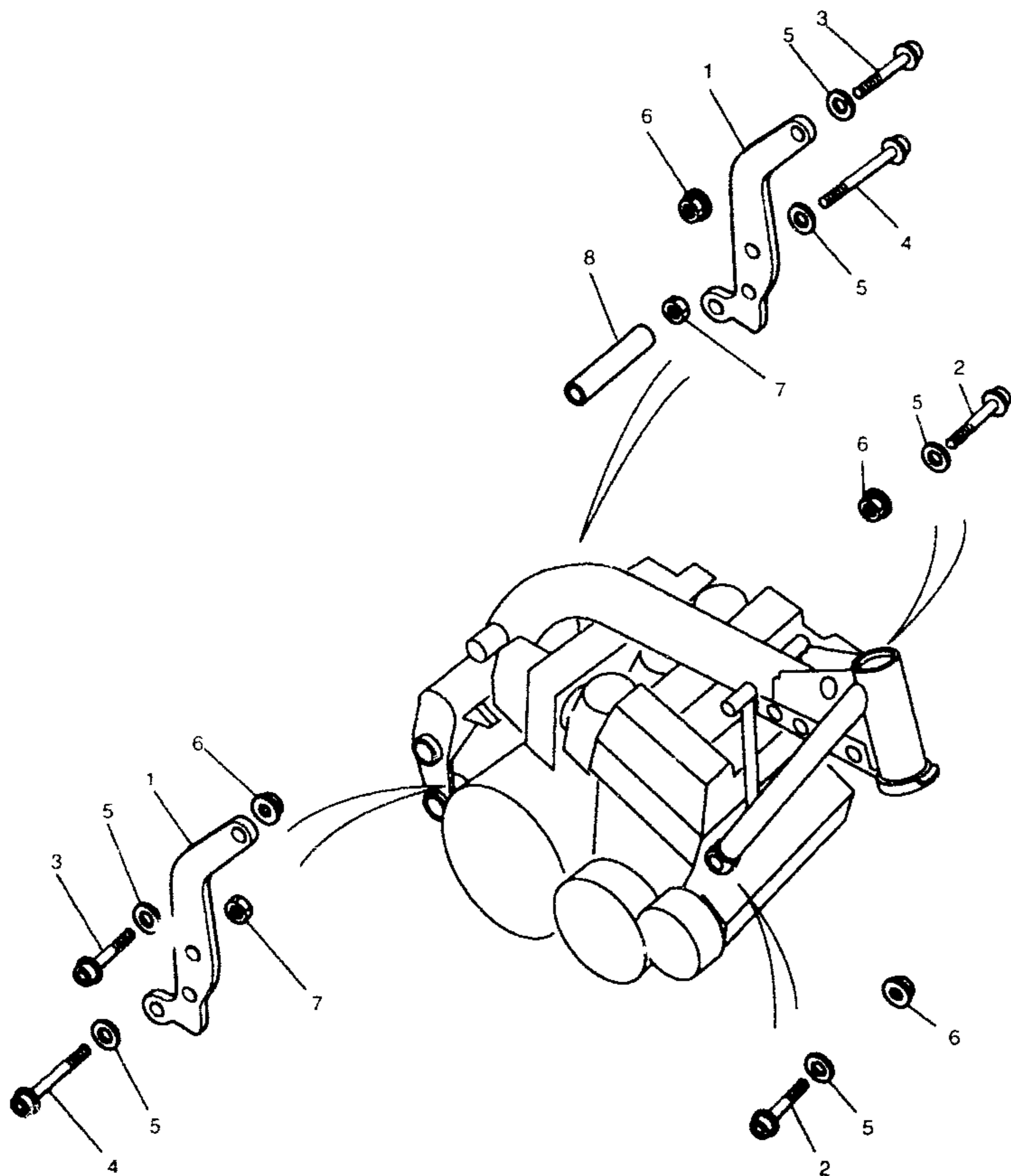
Frame & Fittings cont'd

Ref	Part Number	Description	Qty	VIN Range, Market, Comments etc.
25	3200112-T0301	BOLT, M6 x 12, BLACK	2	
26	T2080323	REAR FOOTREST HANGER, LH	1	
27	T3050092	CAPSCREW, M8 x 20	2	
28	T3900001	LABEL, GEAR POSITION	1	
29	T3900136	LABEL, ENGINE OIL	1	
30	T3900026	LABEL, AIR INTAKE	1	
31	T3900430	LABEL, FRAME MODIFICATION	1	US
32	T3930085	LABEL, CARB LAYOUT	1	US CAL
33	T3900013	LABEL, ECE	1	
33	T3900024	LABEL, ECE	1	DE
34	3450195-T0301	PLUG, M5, BLACK	2	



Linkage Carrier & Engine Mounting Bolts

Linkage Carrier & Engine Mounting Bolts

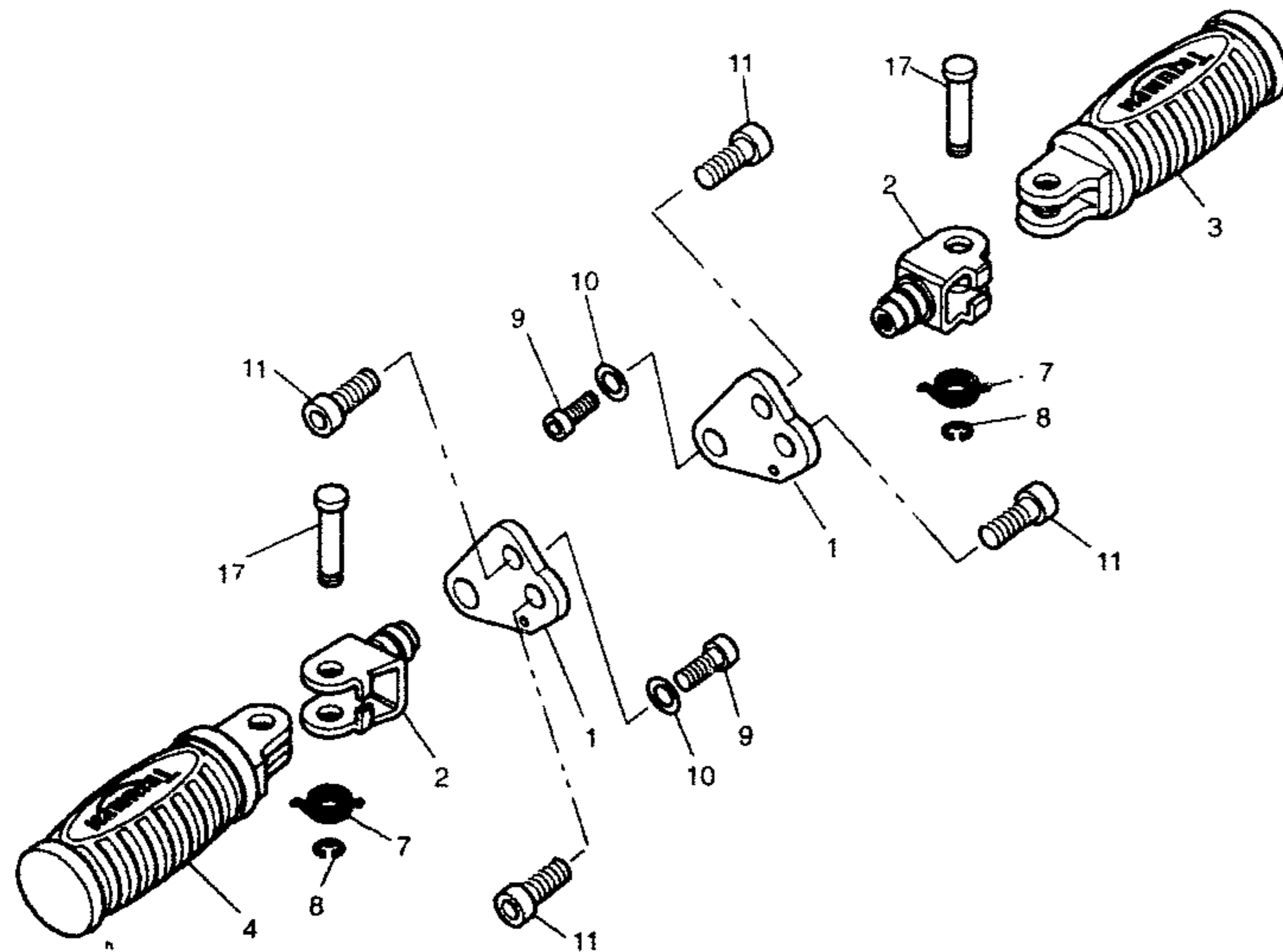
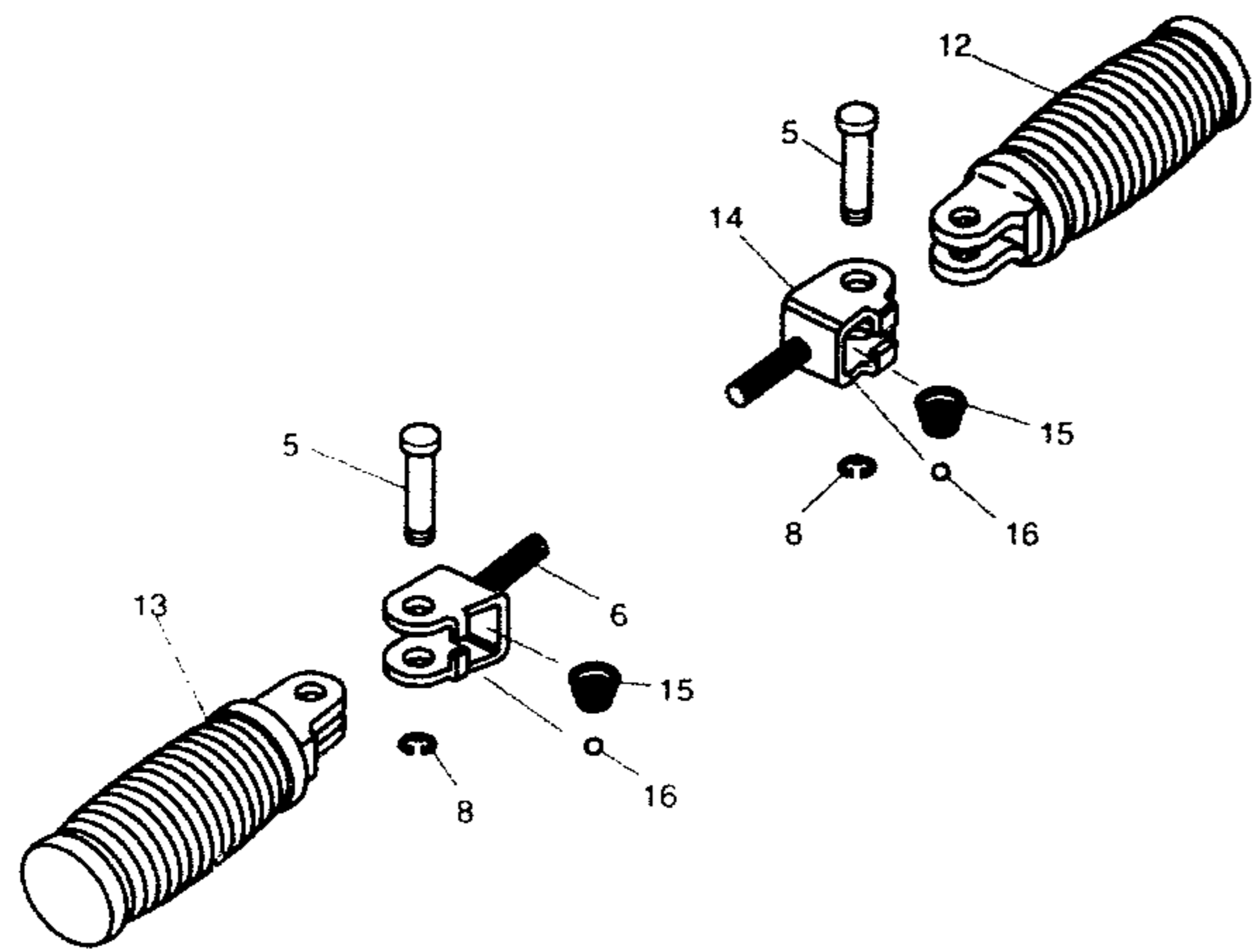


Ref	Part Number	Description	Qty	VIN Range, Market, Comments etc.
1	T2079515	LINKAGE CARRIER, PAIR	1	
2	3330222-T0301	SCREW, TORX, M12 x 61	2	FRAME TO CYL HEAD
3	3330232-T0301	SCREW, TORX, M12 x 85	2	FRAME TO UPPER C CASE
4	3330251-T0301	SCREW, TORX, M12 x 119	2	FRAME TO LOWER C CASE
5	3550220-T0301	WASHER, HARDENED	6	
6	3350006-T0301	LOCKNUT, FLANGED, M12	4	
7	3350170-T0301	LOCKNUT, M12, GRADE 10	2	
8	2079213-T0301	SPACER TUBE	1	



Footrests & Control Plates

Footrests & Control Plates

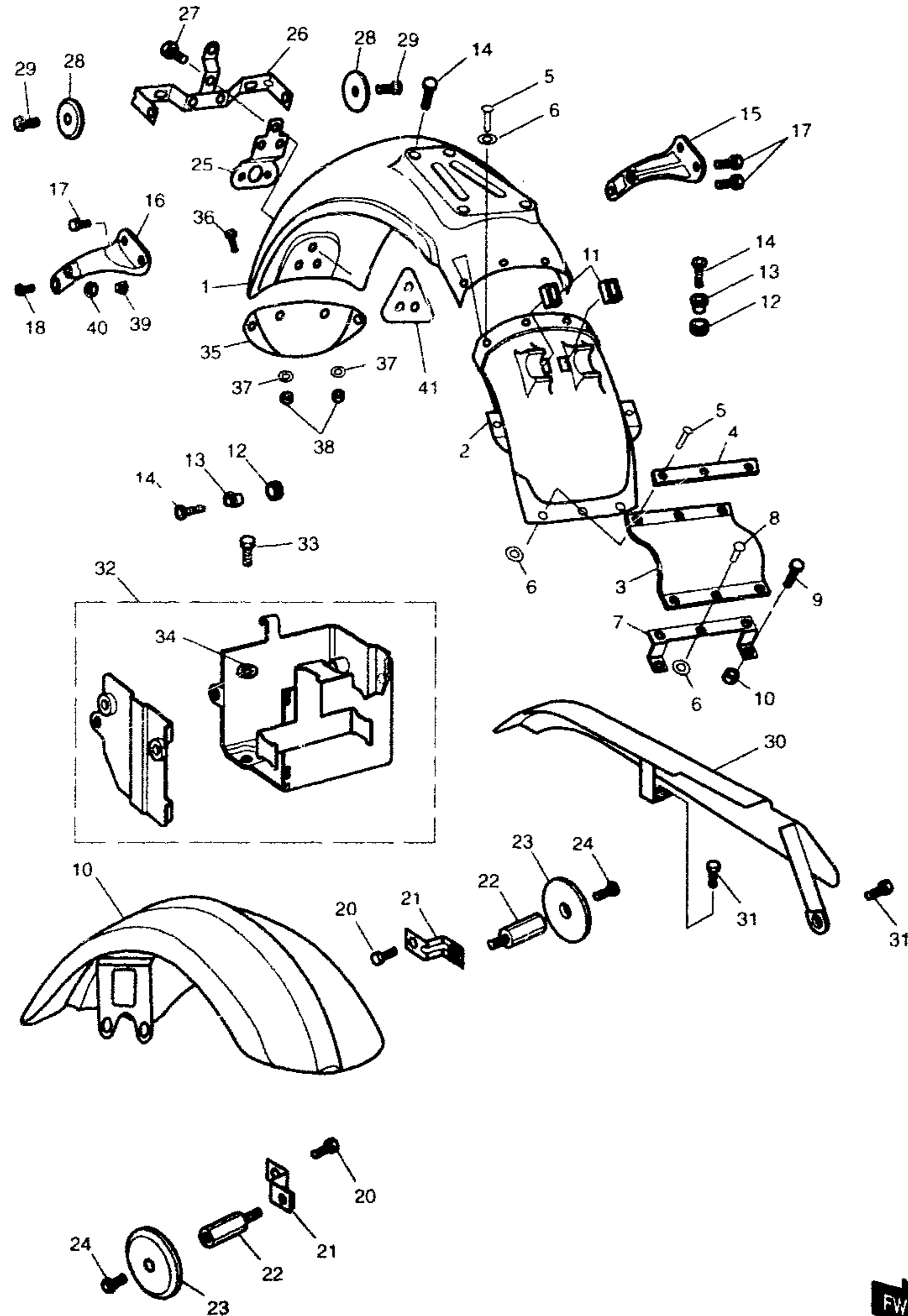


Ref	Part Number	Description	Qty	VIN Range, Market, Comments etc.
1	T2080760	CONTROL PLATE	2	
2	T2080761	CLEVIS ASSY	2	
3	T2080248	FRONT FOOTREST, LH	1	
4	T2080249	FRONT FOOTREST, RH	1	
5	2080032-T0301	PIVOT PIN	2	
6	T2070826	CLEVIS ASSY	1	
7	2080035-T0301	RETURN SPRING, FOOTREST, FRONT	2	
8	3500015-T0301	CIRCLIP	4	
9	3330600-T0301	SCREW, M10 x 30	2	
10	T3550195	WASHER, M10	2	
11	T3050076	CAPSCREW, M10 x 23	4	
12	T2080233	REAR FOOTREST, LH	1	
13	T2080234	REAR FOOTREST, RH	1	
14	T2070830	CLEVIS ASSY	2	
15	2080036-T0301	SPRING, FOOTREST, REAR	2	
16	2080037-T0301	DETENT BALL	2	
17	2080034-T0301	PIVOT PIN	2	



Mudguards, Chainguard & Battery Box

Mudguards, Chainguard & Battery Box

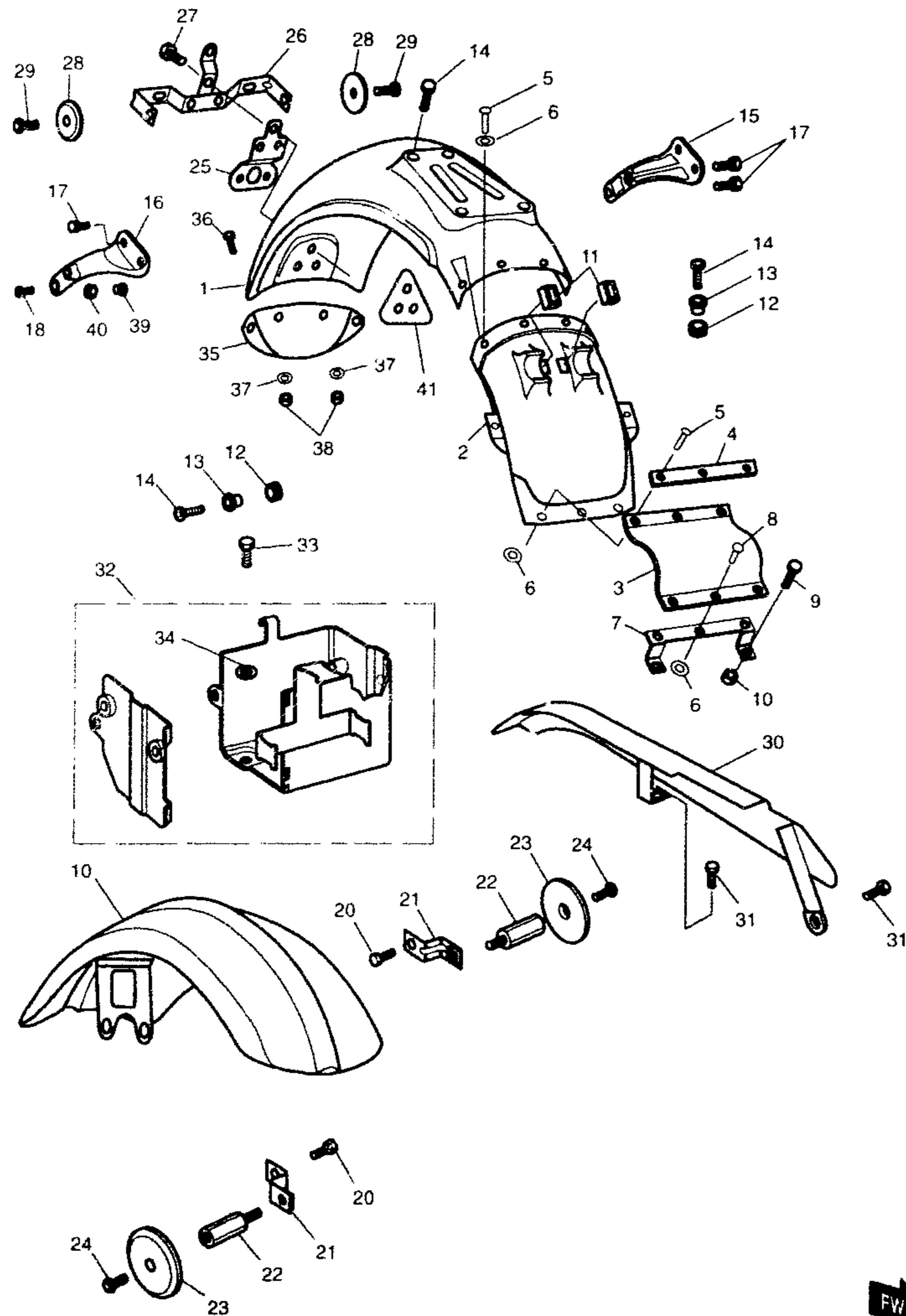


Ref	Part Number	Description	Qty	VIN Range, Market, Comments etc.
1	T2300641-FA	REAR MUDGUARD	1	RACING YELLOW
1	T2300641-CM	REAR MUDGUARD	1	TORNADO RED
2	T2300720	WHEEL COVER	1	
3	T2300359	FLAP, MUDGUARD	1	
4	T2300330	CLAMP PLATE	1	
5	3300060-T0301	RIVET, LONG	7	
6	3550135-T0301	WASHER	10	
7	2300310-T0301	BRACKET, FLAP TO SWINGING ARM	1	
8	3330061-T0301	RIVET, SHORT	3	
9	3200026-T0301	BOLT, M8 x 20	2	
10	3350004-T0301	LOCKNUT, M8	2	
11	T3020380	GROMMET, RECTANGLE	2	
12	3020150-T0301	GROMMET	3	
13	T3010119	FLANGED SLEEVE	3	
14	3330034-T0301	SCREW, TORX, M6 x 20	6	
15	T2700532	BRKT, RR M/GUARD, CHROME, LH	1	
16	T2700244	BRKT, RR M/GUARD, CHROME, RH	1	
17	T3330541	BOLT, M8 x 16	4	
18	T3330555	SCREW, M6 x 20	2	
19	T2300643-FA	FRONT MUDGUARD	1	RACING YELLOW
19	T2300643-CM	FRONT MUDGUARD	1	TORNADO RED
20	3200128-T0301	BOLT, M8 x 14	4	
21	T2070854	BRACKET, CLIP	2	US, SG, CA
22	T2080199	EXTENSION, REFLECTOR	2	US, SG, CA
23	T2700283	REFLECTOR, AMBER	2	US, SG, CA
24	T3330636	SCREW, M5 x 20	2	
25	T2300630	BRACKET, NUMBER PLATE LIGHT	1	
26	T2300269	BRACKET, LICENSE PLATE	1	NOT US, SG OR CA
26	T2300250	BRACKET, LICENSE PLATE	1	US, SG, CA
27	3200116-T0301	BOLT, M6 x 16	3	BRACKET TO MUDGUARD
28	T2700284	REFLECTOR, RED	2	US, SG, CA
29	T3330635	SCREW, M5 x 16	2	
30	T2058014	CHAINGUARD, STAINLESS	1	▶ 71698
30	T2058018	CHAINGUARD, BLACK	1	71699 ▶
31	T3330555	SCREW, M6 x 22, S/S	2	▶ 71698
31	T3330086	SCREW, M6 x 22, BLACK	2	71699 ▶



Mudguards, Chainguard & Battery Box

Mudguards, Chainguard & Battery Box Cont'd

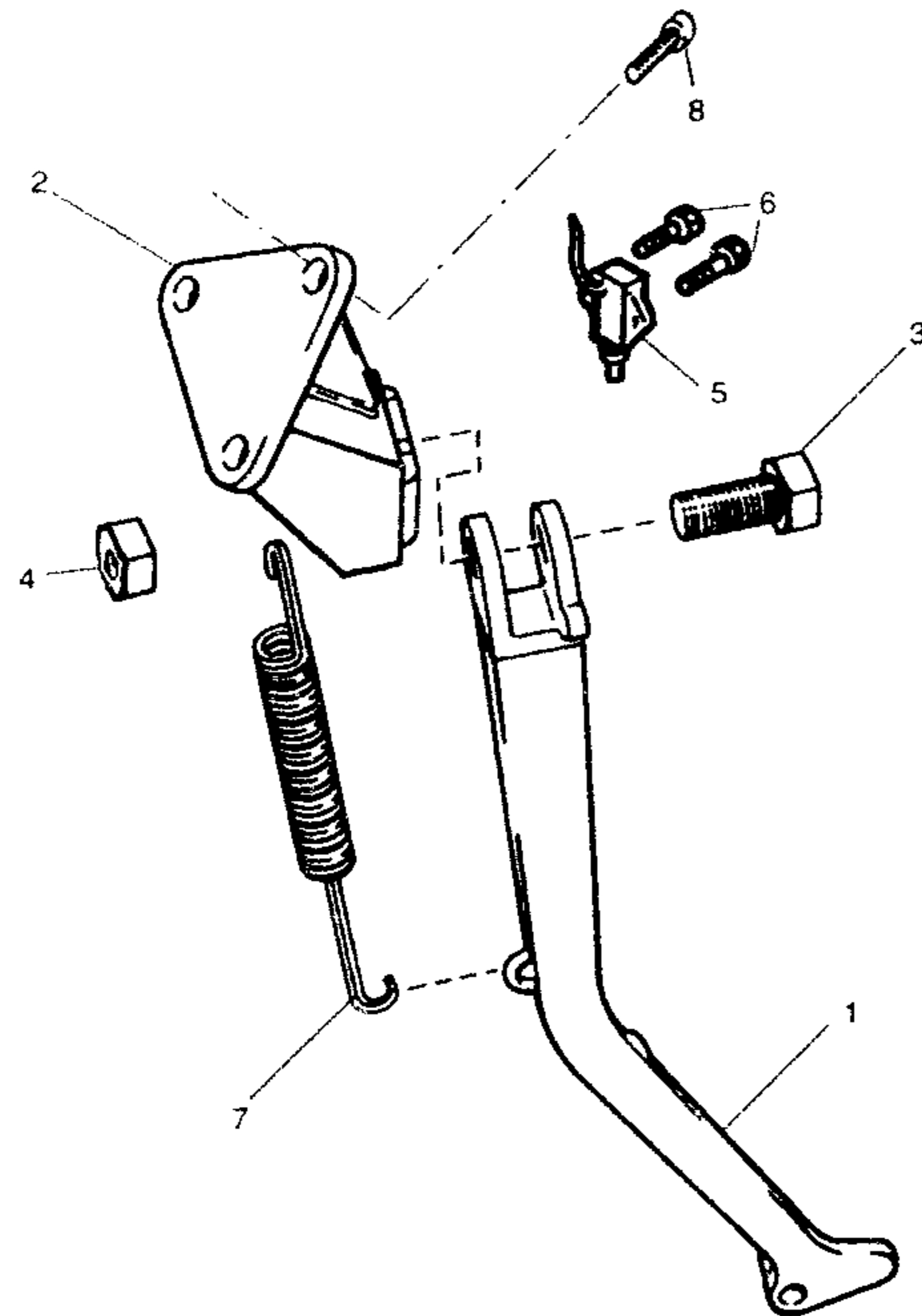


Ref	Part Number	Description	Qty	VIN Range, Market, Comments etc.
32	T3990004	DOOR & BATTERY BOX ASSY	1	
33	3330006-T0301	SCREW, TORX, M6 x 16	2	
34	3550032-T0301	WASHER, LARGE M6	2	
35	T2300338	MUDGUARD EXTENSION	1	SE, AR, GR, HK, PT, CH & JP
36	3330060-T0301	SCREW, M5 x 16	2	SE, AR, GR, HK, PT, CH & JP
37	3550178-T0301	WASHER, M5	2	SE, AR, GR, HK, PT, CH & JP
38	T3350041	NUT, M5	2	SE, AR, GR, HK, PT, CH & JP
39	T3010012	FLANGED SLEEVE	2	
40	T3020012	GROMMET	2	
41	T2300422	SUPPORT PLATE	1	



Side Stand

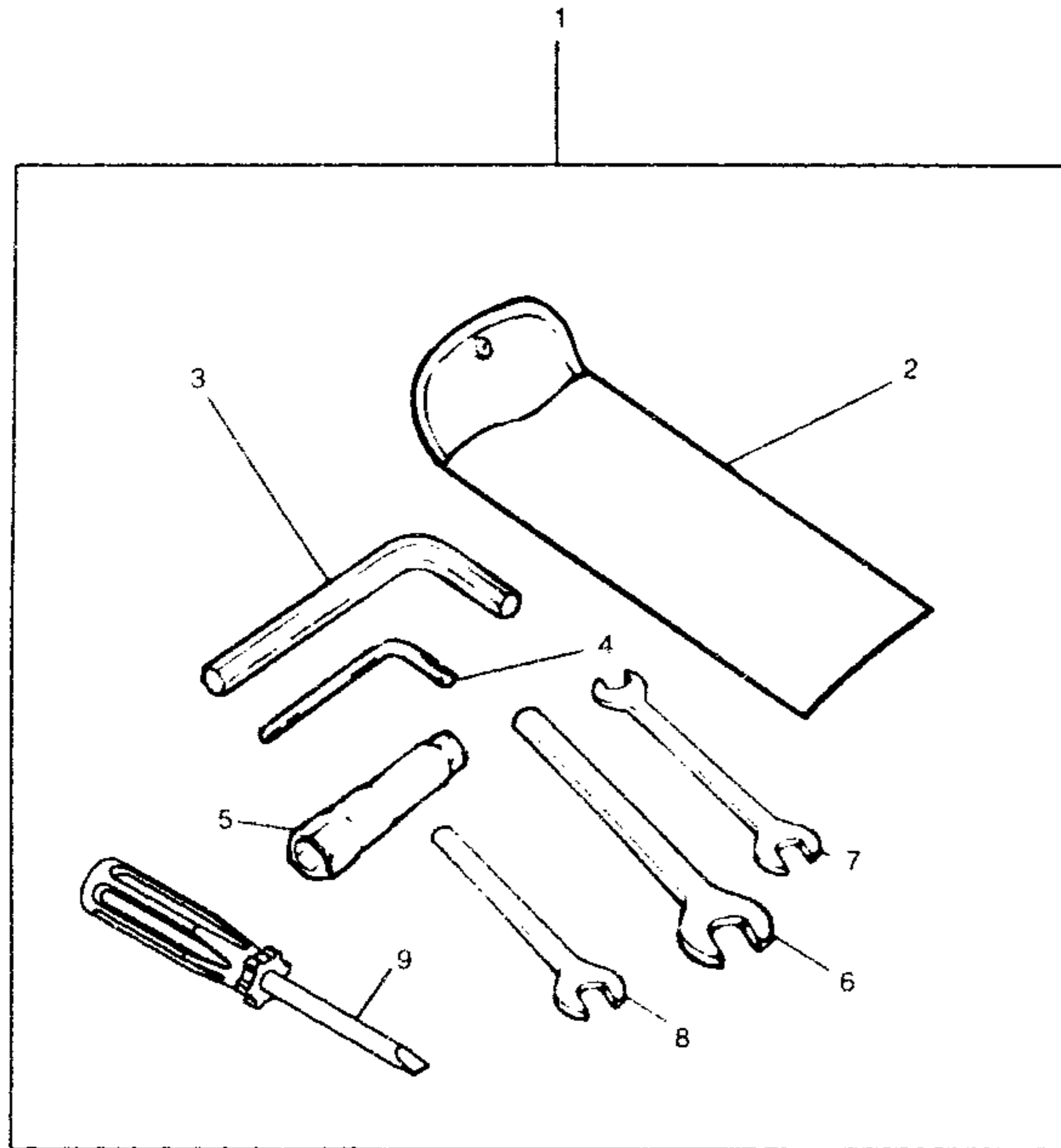
Side Stand



Ref	Part Number	Description	Qty	VIN Range, Market, Comments etc.
1	T2080319	SIDE STAND LEG	1	
2	T2080279	MOUNTING BRACKET, SIDESTAND	1	
3	3330519-T0301	BOLT, SHOULDERED, M10	1	
4	3350014-T0301	NUT, THIN, M10	1	
5	2080019-T0301	SWITCH, SIDESTAND	1	
6	3050029-T0301	CAPSCREW, M5 x 22	2	SWITCH TO STAND MOUNTING
7	2080153-T0301	SPRING, SIDESTAND RETURN	1	
8	T3050048	CAPSCREW, M10 x 27	3	SIDESTAND TO CRANKCASE



Tool Kit



Tool Kit

Ref	Part Number	Description	Qty	VIN Range, Market, Comments etc.
1	T2301419	TOOL KIT	1	
2	T2300311	WALLET, TOOLKIT	1	
3	T2300113	ALLEN KEY, 12mm	1	
4	T2300111	ALLEN KEY, 5mm	1	
5	2300107-T0301	SPANNER, SPARKING PLUGS	1	
6	T2300288	SPANNER, 27mm	2	
7	T2300314	SPANNER, 10/13mm	1	
8	2300115-T0301	SPANNER, OPEN END, 17mm	1	
9	2300106-T0301	SCREWDRIVER, REVERSIBLE	1	



SECTION 11

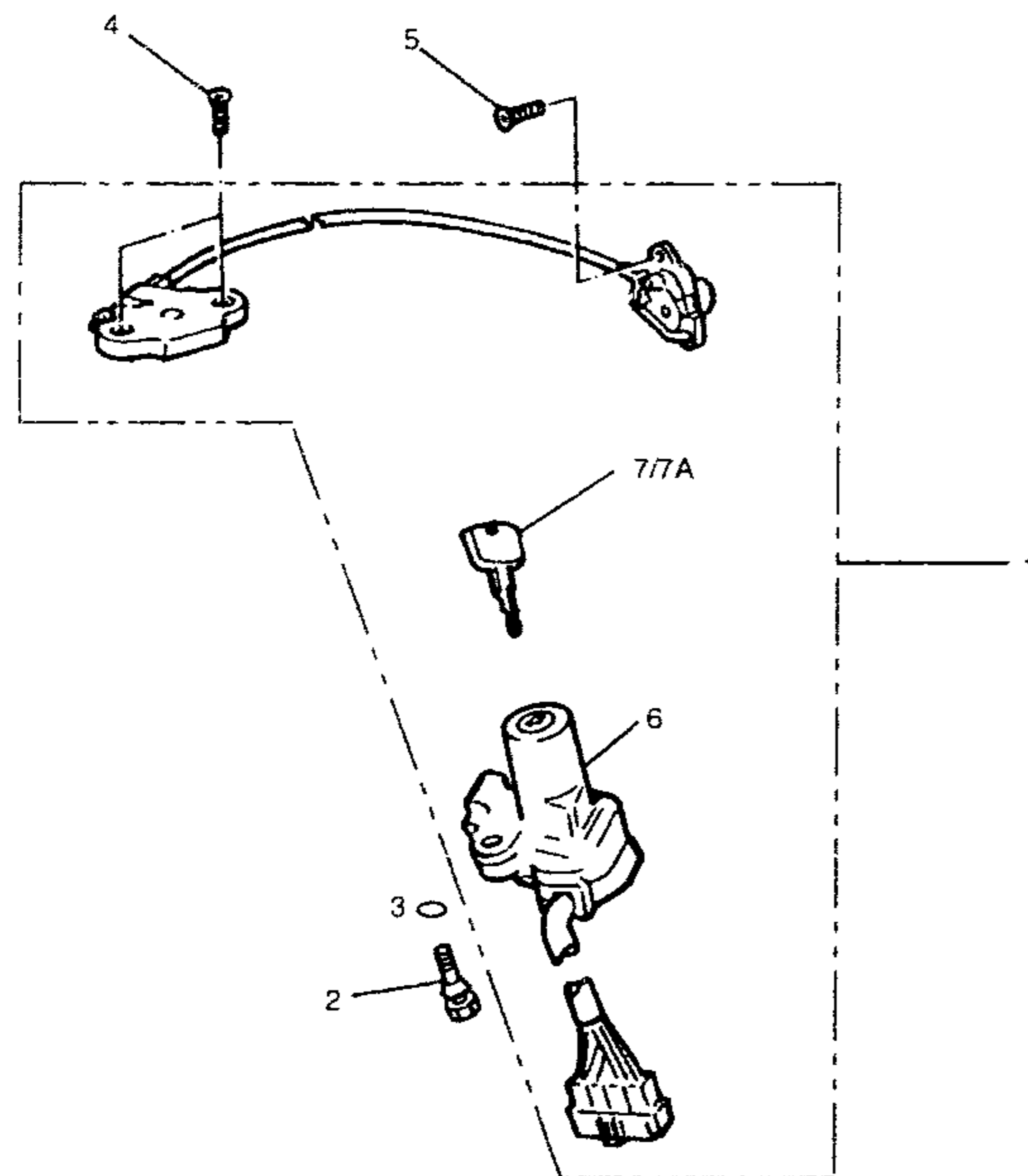
COMPONENT GROUP	FRAME No:
Ignition Switch & Seat Lock	Frame 11-2
Ignition System	Frame 11-3
Electrical Equipment	Frame 11-4
Horn & Horn Cover	Frame 11-5
Alternator & Starter	Frame 11-6
Instruments	Frame 11-7
Headlight & Mountings	Frame 11-8
Rear Lamps	Frame 11-9
Indicators	Frame 11-10

**SEE
NEXT
FRAME**

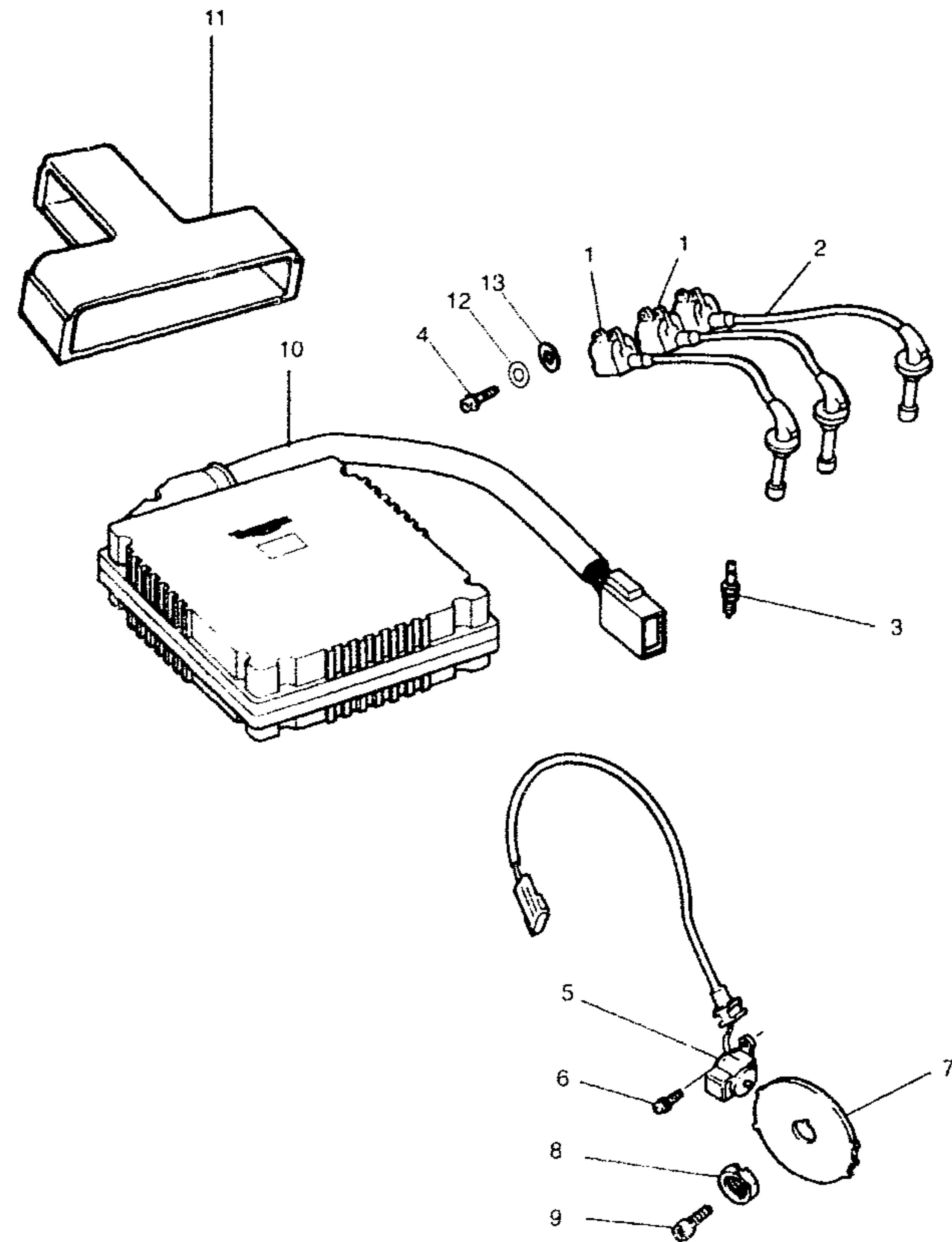
Ignition Switch & Seat Lock

Ignition Switch & Seat Lock

Ref	Part Number	Description	Qty	VIN Range, Market, Comments etc.
1	T2500031	LOCK, SET	1	
2	3330013-T0301	SHEAR BOLT, STEERING LOCK	2	
3	T3550136	WASHER, M6	2	
4	3330053-T0301	SCREW, M6 x 25	2	
5	3330036-T0301	SCREW, M6 x 16	2	
6	T2500450	IGNITION SWITCH ASSY	1	
7	T2500440	KEY, UNCUT	1	KEY BLANK TO BE CUT BY DEALER
7A	T2500105	KEY, CUT	1	CUSTOMER MUST SUPPLY KEY NUMBER WITH ORDER



Ignition System



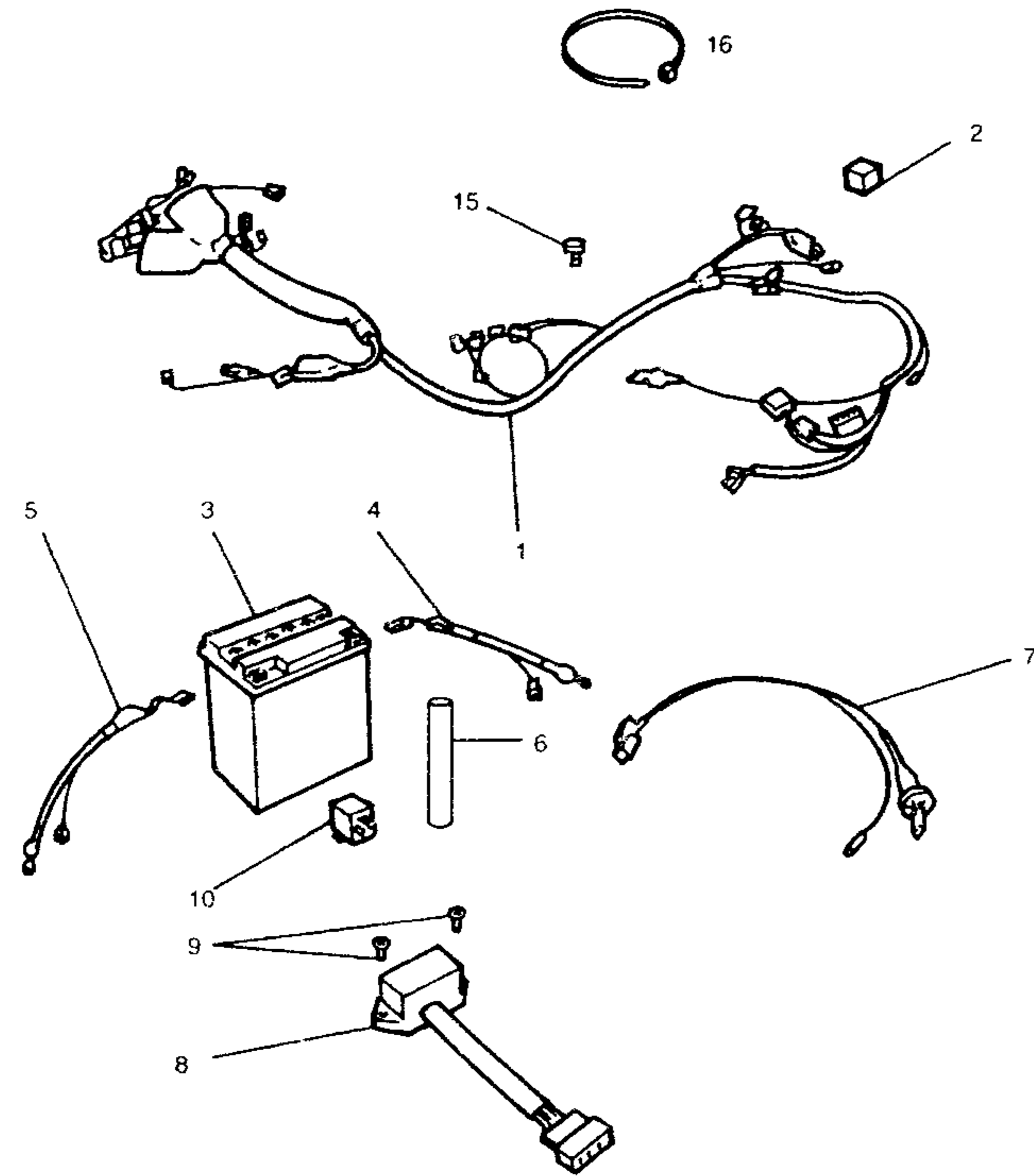
Ignition System

Ref	Part Number	Description	Qty	VIN Range, Market, Comments etc.
1	T1290046	IGNITION COIL, 3 CYL	3	
2	T1290015	IGNITION CABLE SET	1	
3	1290020-T0301	SPARK PLUG, STANDARD	3	NGK DPR 9 EA-9
3	1290024-T0301	SPARK PLUG, WINTER GRADE	3	NGK DPR 8 EA-9
4	T3330088	SCREW TORX, M5 x 16	6	▶ 67827
4	3330005-T0301	SCREW, TORX, M5 x 16	6	67828 ▶
5	T1290022	SENSOR, IGNITION	1	
6	T3330071	SCREW, TORX M6x12	2	
7	T1290110	ROTOR, IGNITION, 3 CYL	1	
8	1100039-T0301	CLAMPING SPACER	1	
9	T3050061	CAPSCREW M8 x 20	1	
10	T1290063	IGNITER ASSY	1	
11	1290012-T0301	MOUNTING STRAP, IGNITER	1	
12	T3550193	WASHER	6	▶ 67827
13	T3550082	WASHER, RUBBER	6	▶ 67827

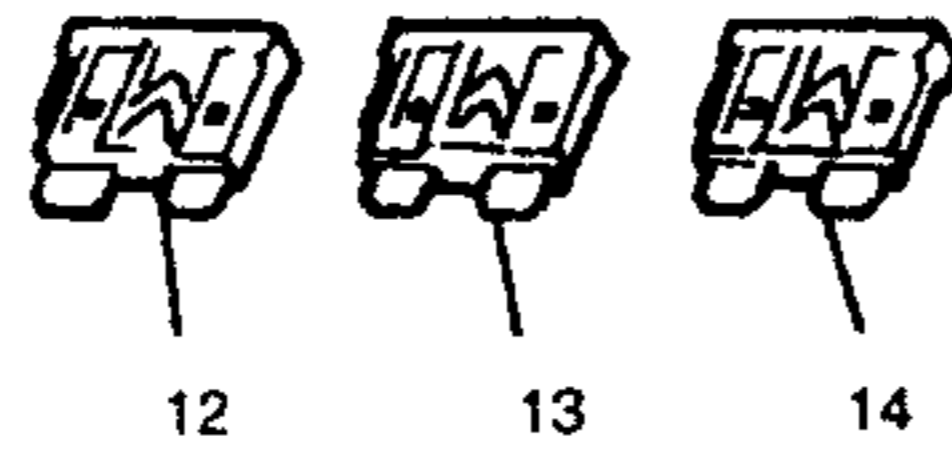
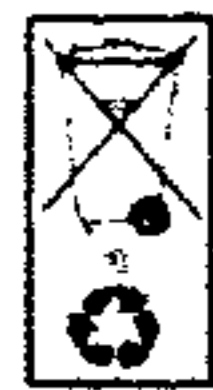
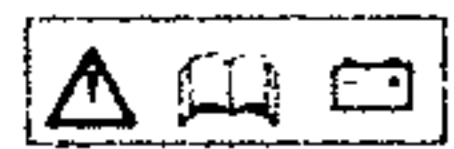


Electrical Equipment

Electrical Equipment



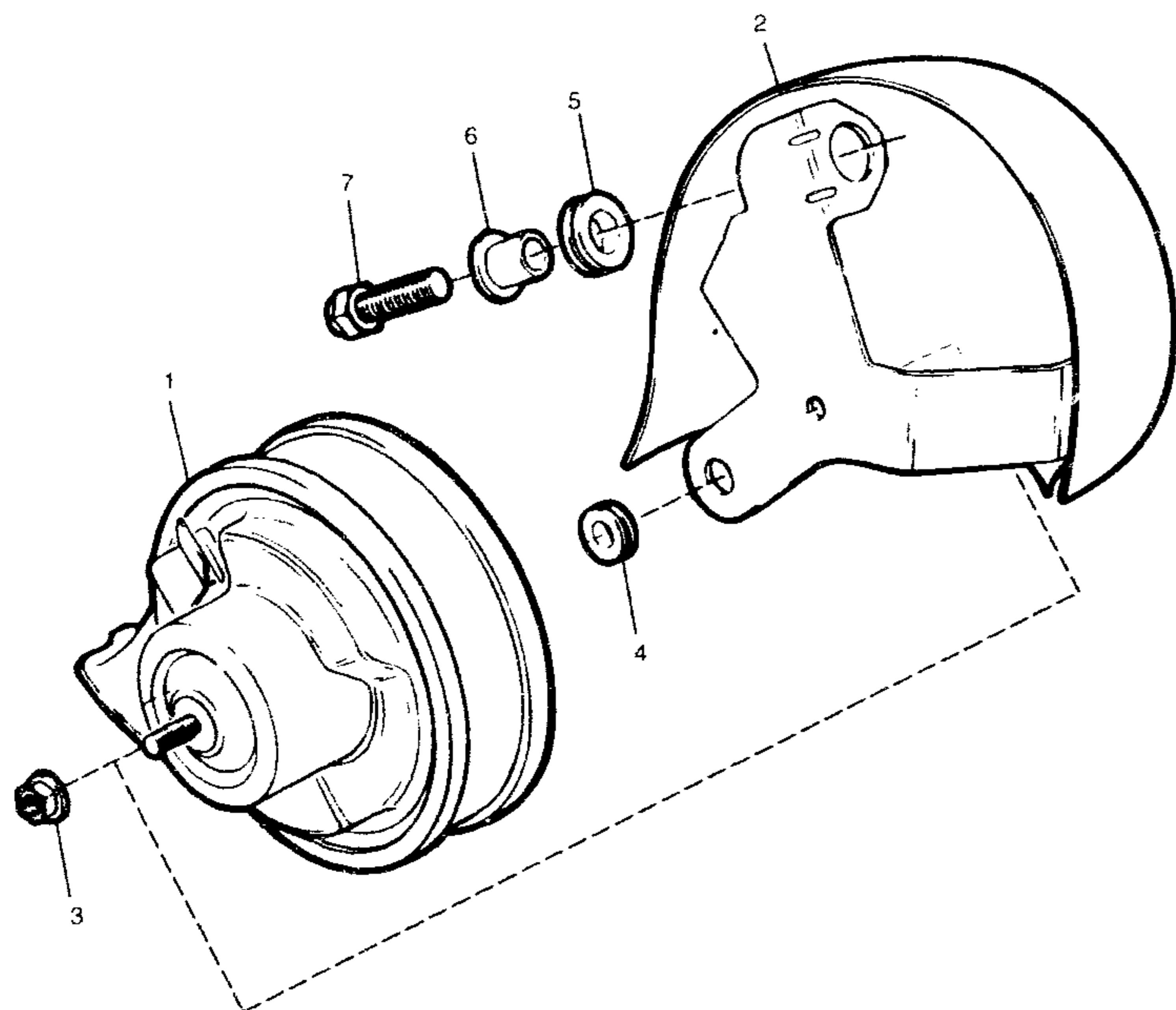
Ref	Part Number	Description	Qty	VIN Range, Market, Comments etc.
1	T2500053	MAIN HARNESS	1	ALL MARKETS EXCEPT US CAL
1	T2500086	MAIN HARNESS	1	US CAL
2	T2500050	SHORTING PLUG, MAIN HARNESS	1	
3	2500008-T0301	BATTERY	1	
4	T2500178	LEAD, BATTERY, POSITIVE	1	
5	T2500179	LEAD, BATTERY, NEGATIVE	1	
6	3620400-T0301	DRAIN TUBE, BATTERY BOX	1	
7	T2500164	HARNESS, NEUTRAL/OIL SWITCH	1	▶ ENG NO 46604
7	T2500166	HARNESS, NEUTRAL/OIL SWITCH	1	ENG NO 46605 ▶
8	T2500830	FUSE BOX	1	
8	T2500840	FUSE BOX	1	FR
9	3330036-T0301	SCREW, TORX, M6 x 20	2	
10	2500025-T0301	RELAY, INDICATORS	1	
11	T3900021	LABEL, BATTERY	1	
12	2500810-T0301	FUSE, 10 AMP	5	
13	2500807-TC301	FUSE, 15 AMP	1	
14	2500805-T0301	FUSE, 30 AMP	2	
15	3330006-T0301	SCREW, M6 x 16	1	HARNESS EARTH
16	T3700015	CABLE TIE	6	
16	3700C16-T0301	CABLE TIE	3	
17	T3950015	LABEL, BATTERY DISPOSAL	1	



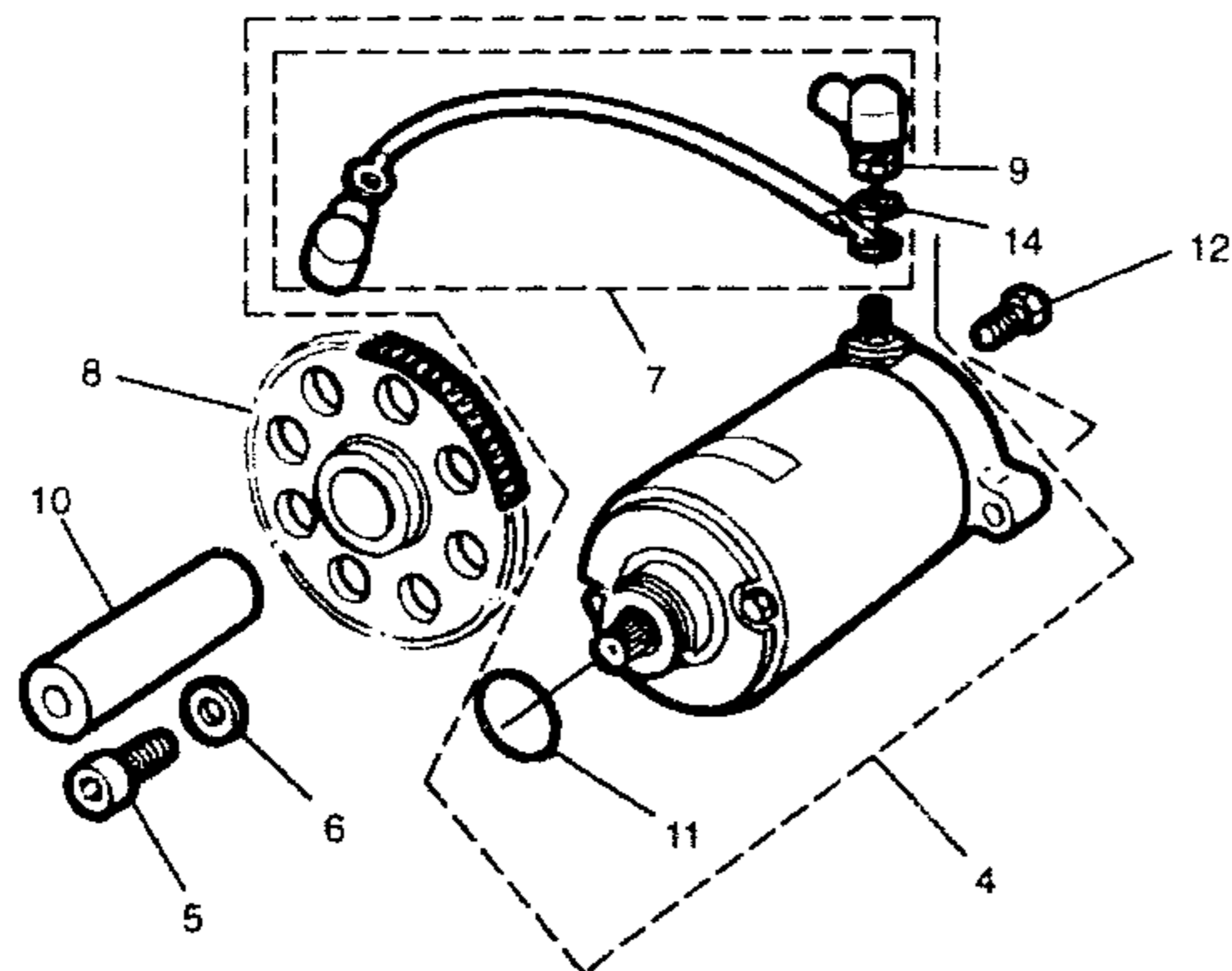
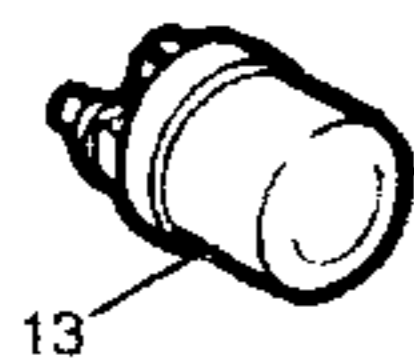
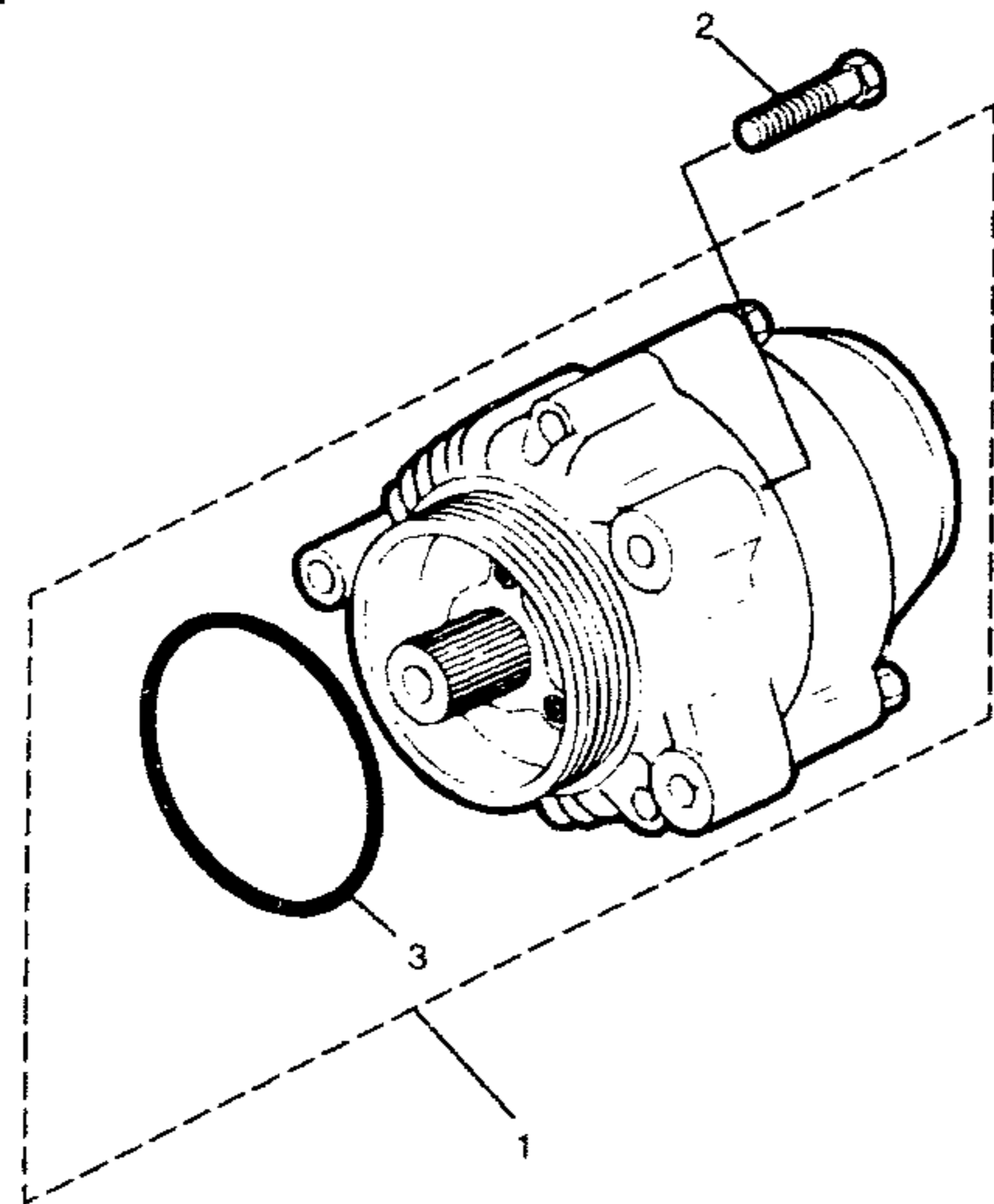
Horn & Horn Cover

Horn & Horn Cover

Ref	Part Number	Description	Qty	VIN Range, Market, Comments etc.
1	T2500124	HORN	1	
2	T2500128	COVER, HORN, CHROME	1	
3	3350012-T0301	LOCKNUT, FLANGED, M6	1	HORN TO COVER
4	3020130-T0301	GROMMET	1	
5	3020100-T0301	GROMME	1	
6	T3010119	FLANGED SLEEVE	1	
7	T3202020	BOLT, DOMED, M6 x 20	1	HORN ASSY TO ENGINE



Alternator & Starter

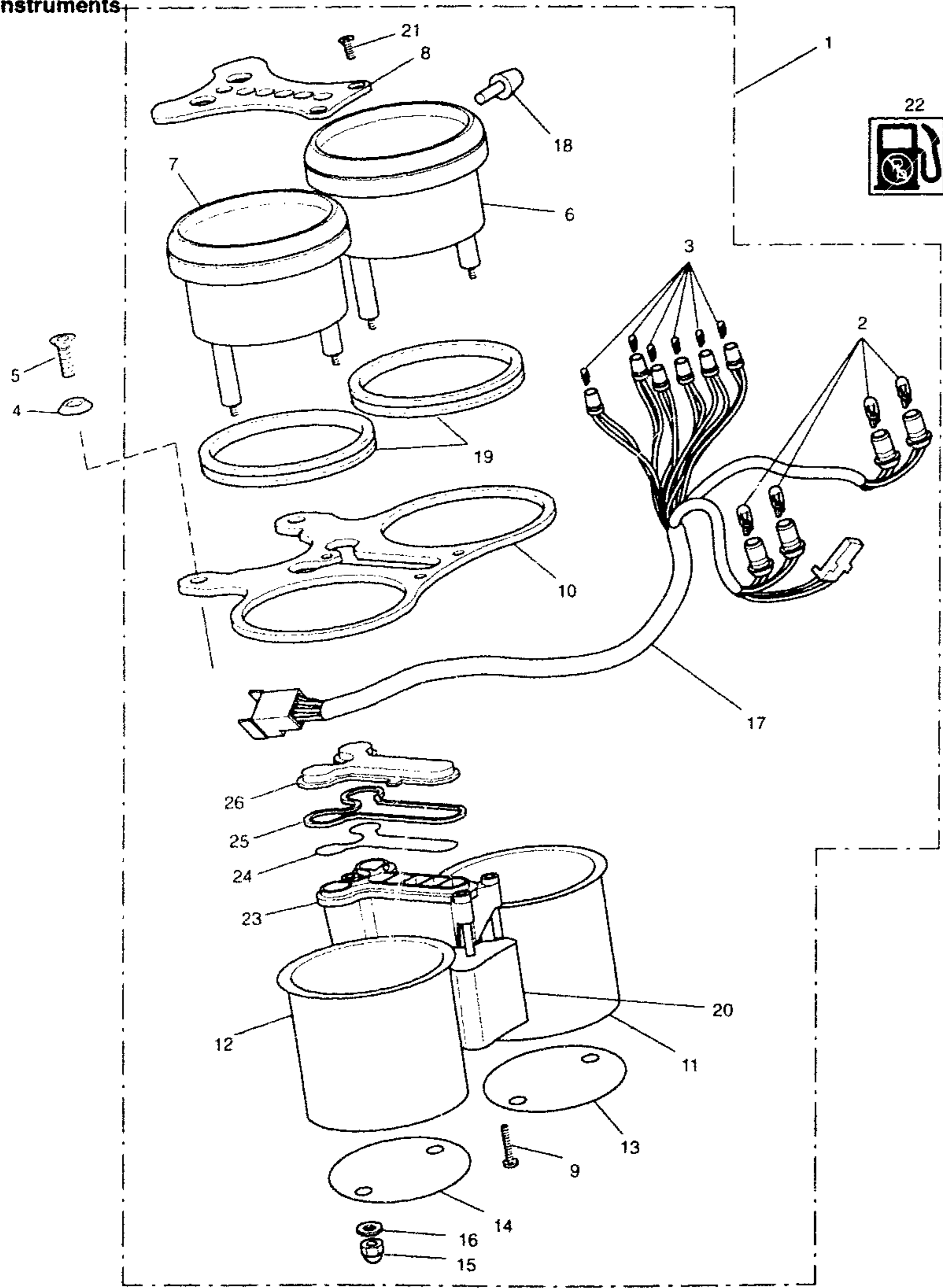


Alternator & Starter

Ref	Part Number	Description	Qty	VIN Range, Market, Comments etc.
1	1300000-T0301	ALTERNATOR	1	WITHOUT FINISHER DISC
2	T3330072	CAPSCREW, M8 x 43	3	
3	3600100-T0301	'O' RING ALTERNATOR	1	
4	1310000-T0301	STARTER MOTOR, COMPLETE	1	
5	T3950062	CAPSCREW, M6 x 12	1	
6	3550009-T0301	WASHER	1	
7	1510011-T0301	WIRE & BOOT ASSY, STARTER MOTOR	1	
8	1220130-T0301	IDLER GEAR, STARTER, 15 TEETH ²	1	
9	3350008-T0301	NUT, M6	3	
10	1220141-T0301	SPINDLE, IDLER GEAR	1	
11	3600115-T0301	'O' RING, STARTER	1	
12	3200117-T0301	BOLT M6 x 25	2	
13	1310008-T0301	SWITCH, STARTER SOLENOID	1	
14	3550018-T0301	WASHER, SF-RING, M6	3	



Instruments



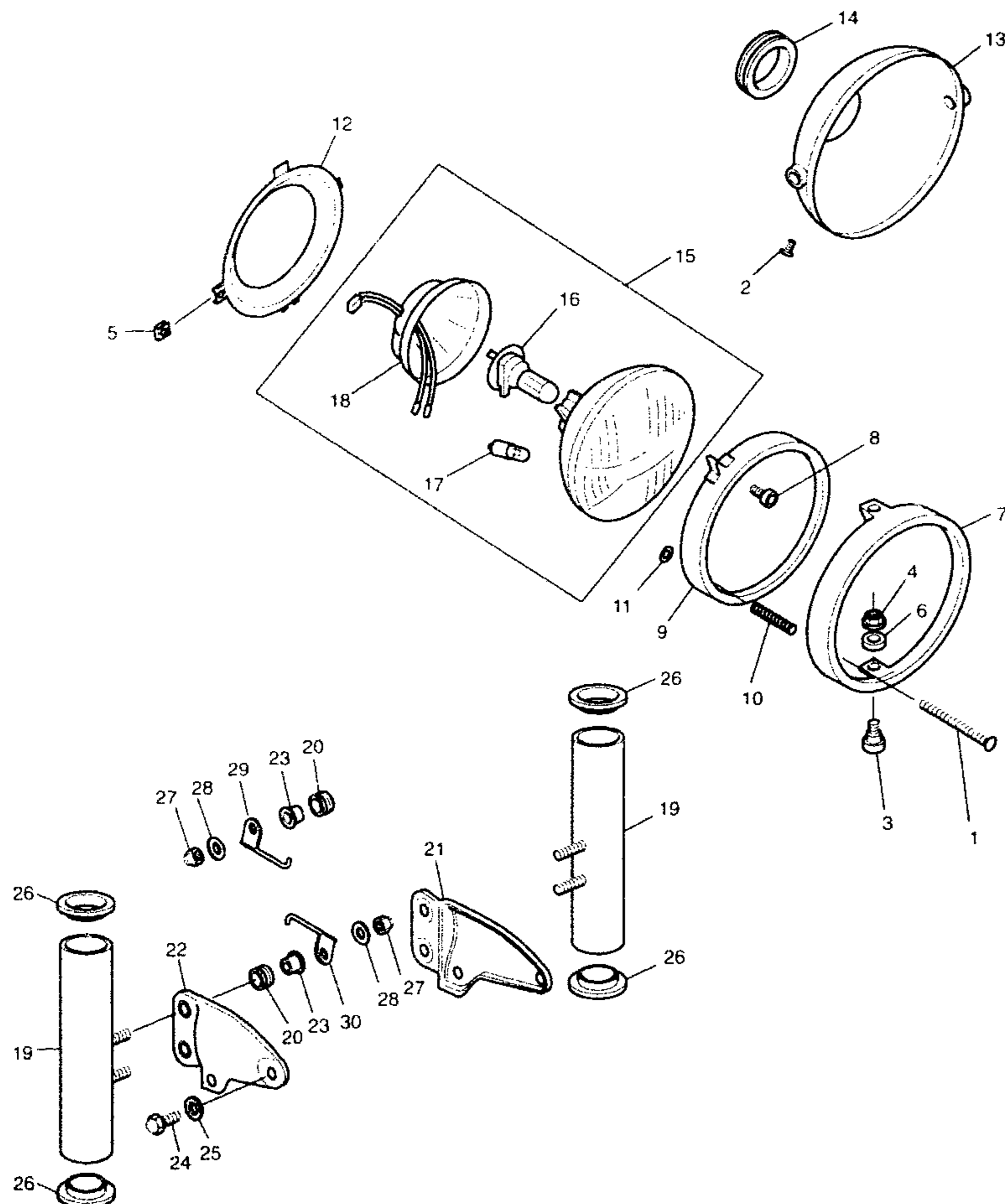
Instruments

Ref	Part Number	Description	Qty	VIN Range, Market, Comments etc.
1	T2501131	INSTRUMENT ASSY. MPH	1	MILES PER HOUR
1	T2501133	INSTRUMENT ASSY. KPH	1	KILOMETERS PER HOUR
2	T2502089	BULB, INSTRUMENTS, 1.7 W, LARGE	4	
3	T2502090	BULB, INSTRUMENTS, 1.7 W, SMALL	6	
4	3550265-T0301	WASHER, C'SUNK	2	
5	3330535-T0301	SCREW, C'SUNK M6x16	2	
6	T2502087	SPEEDO GAUGE, MPH	1	MILES PER HOUR ▶ 68877
6	T2502106	SPEEDO GAUGE, MPH	1	MILES PER HOUR 68878 ▶
6	T2502088	SPEEDO GAUGE, KPH	1	KILOMETERS PER HOUR ▶ 68792
6	T2502107	SPEEDO GAUGE, KPH	1	KILOMETERS PER HOUR 68878 ▶
7	T2502013	TACHOMETER	1	
8	T2502094	FACE PLATE, WARNING LIGHTS	1	
9	T2502063	SCREW, WARNING LAMP COVER	2	
10	T2502091	MOUNTING PLATE, BLACK	1	▶ 68877 (MPH) ▶ 68792 (KPH)
10	T2502101	MOUNTING PLATE, BLACK	1	68878 ▶ (MPH) 68793 ▶ (KPH)
11	T2502092	SPEEDO CONTAINER	1	
12	T2502093	TACHOMETER CONTAINER	1	
13	T2502025	SPEEDO END PLATE	1	
14	T2502030	TACHOMETER END PLATE	1	
15	T2502033	NUT, END PLATE	4	
16	T2502035	WASHER, END PLATE	4	
17	T2502046	SUB-HARNESS	1	
18	T2502051	TRIP KNOB	1	
19	T2502100	FOAM GASKET, INST TO BRKT	2	
20	T2502065	COVER, WARNING LAMPS	1	
21	T2502073	SCREW, FACE PLATE	3	
22	T3930090	LABEL, UNLEADED FUEL	1	US CAL
23	T2502084	HOUSING, WARNING LIGHTS	1	
24	T2502081	LENS, WARNING LIGHTS	1	
25	T2502082	FOAM GASKET, WARNING LIGHTS	1	
26	T2502085	COVER, WARNING LIGHTS	1	▶ 68877 (MPH) ▶ 68792 (KPH)
26	T2502102	COVER, WARNING LIGHTS	1	68878 ▶ (MPH) 68793 ▶ (KPH)



Headlight & Mountings

Headlight & Mountings

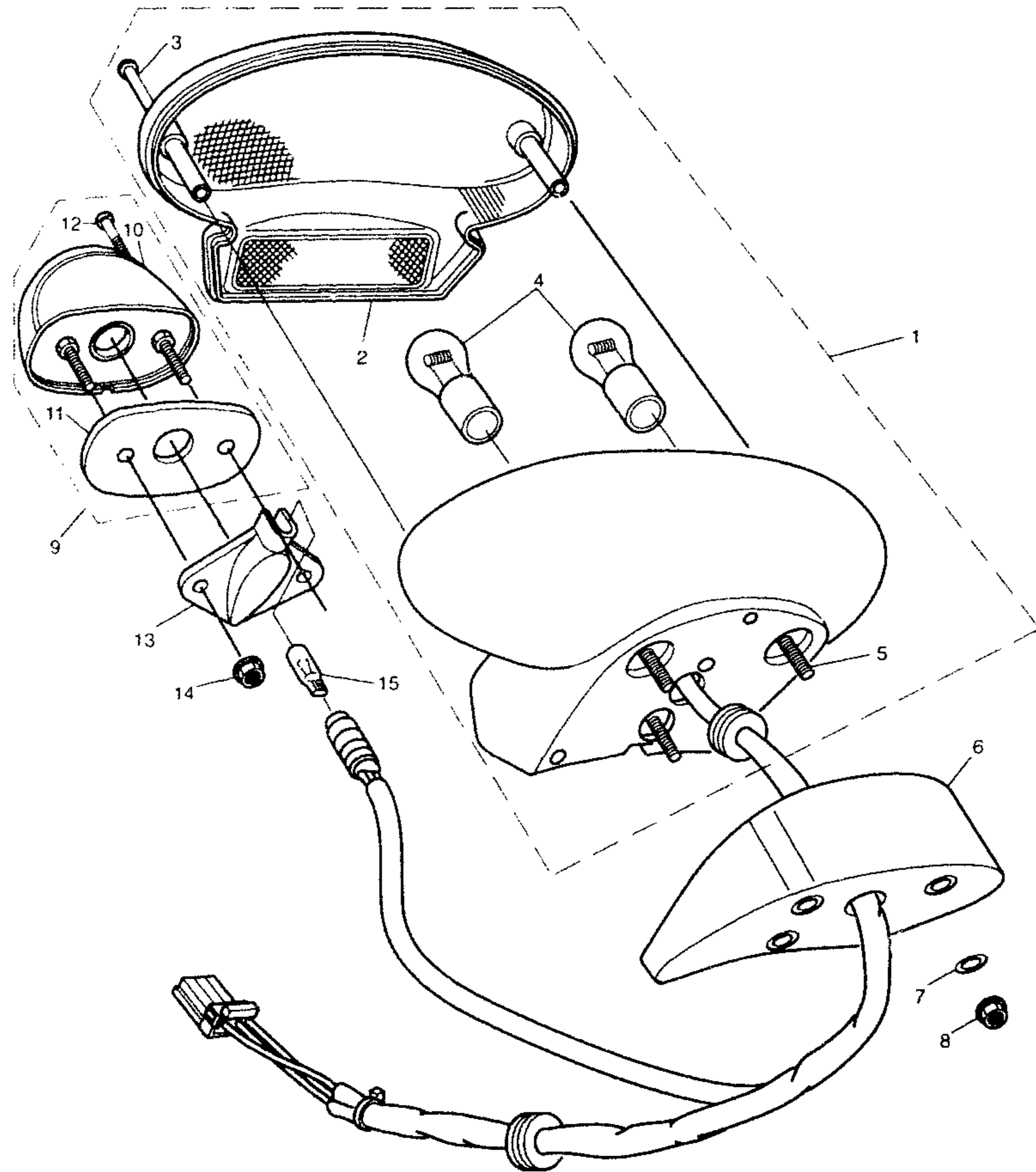


Ref	Part Number	Description	Qty	VIN Range, Market, Comments etc.
1	2700080-T0301	SCREW, C'SUNK PHIL, M4 x 45	1	
2	2700081-T0301	SCREW, C'SUNK PHIL, M5 x 14	2	
3	2700082-T0301	BOLT, PAN HD PHIL SHD, M5 x 12	2	
4	T2700079	NUT & WASHER, M5	2	
5	2700084-T0301	NUT, PLASTIC, M4	1	
6	2700085-T0301	WASHER, M5	2	
7	2700004-T0301	RIM H/LAMP	1	
8	2700086-T0301	SCREW, PAN HD PHIL, M3 x 12	2	
9	2700006-T0301	RIM H/LAMP RETAINER	1	
10	2700087-T0301	SPRING H/LAMP	1	
11	2700088-T0301	WASHER, M4	1	
12	2700012-T0301	MOUNTING RING, H/LAMP	1	
13	T2700191	HEADLAMP BOWL, PAINTED	1	
14	3020350-T0301	GROMMET	1	
15	2700130-T0301	HEADLAMP ASSY LH DIP	1	UK, NZ, AU, JP, ZA, CY, HK, MY, SG
15	2700135-T0301	HEADLAMP ASSY RH DIP	1	ES, DE, IT, PT, CH, GR, AR, BR, SE, CA, US
16	2700001-T0301	BULB HALOGEN, H4 60/55	1	
17	2700210-T0301	BULB 4W	1	
18	2700060-T0301	SUB HARNESS, SIDELIGHT	1	
19	T2700320	HEADLIGHT MOUNTING TUBE	2	
20	3020010-T0301	GROMMET, MOUNTING BRACKET	4	
21	T2700354	BRACKET, HEADLIGHT MOUNTING, LH	1	
22	T2700364	BRACKET, HEADLIGHT MOUNTING, RH	1	
23	T3010119	FLANGED SLEEVE	4	
24	T3330620	DOMED BOLT	2	
25	3550260-T0301	WASHER, M8	2	
26	T2700340	GROMMET, MOUNTING TUBE	4	
27	T3350044	DOMENUT, M6, LOCKING	4	
28	3550009-T0301	LOCKWASHER	3	
29	T3700087	CLIP, CABLE RETAINING, LH	1	
30	T3700088	CLIP, CABLE RETAINING, RH	1	



Rear Lamps

Rear Lamps

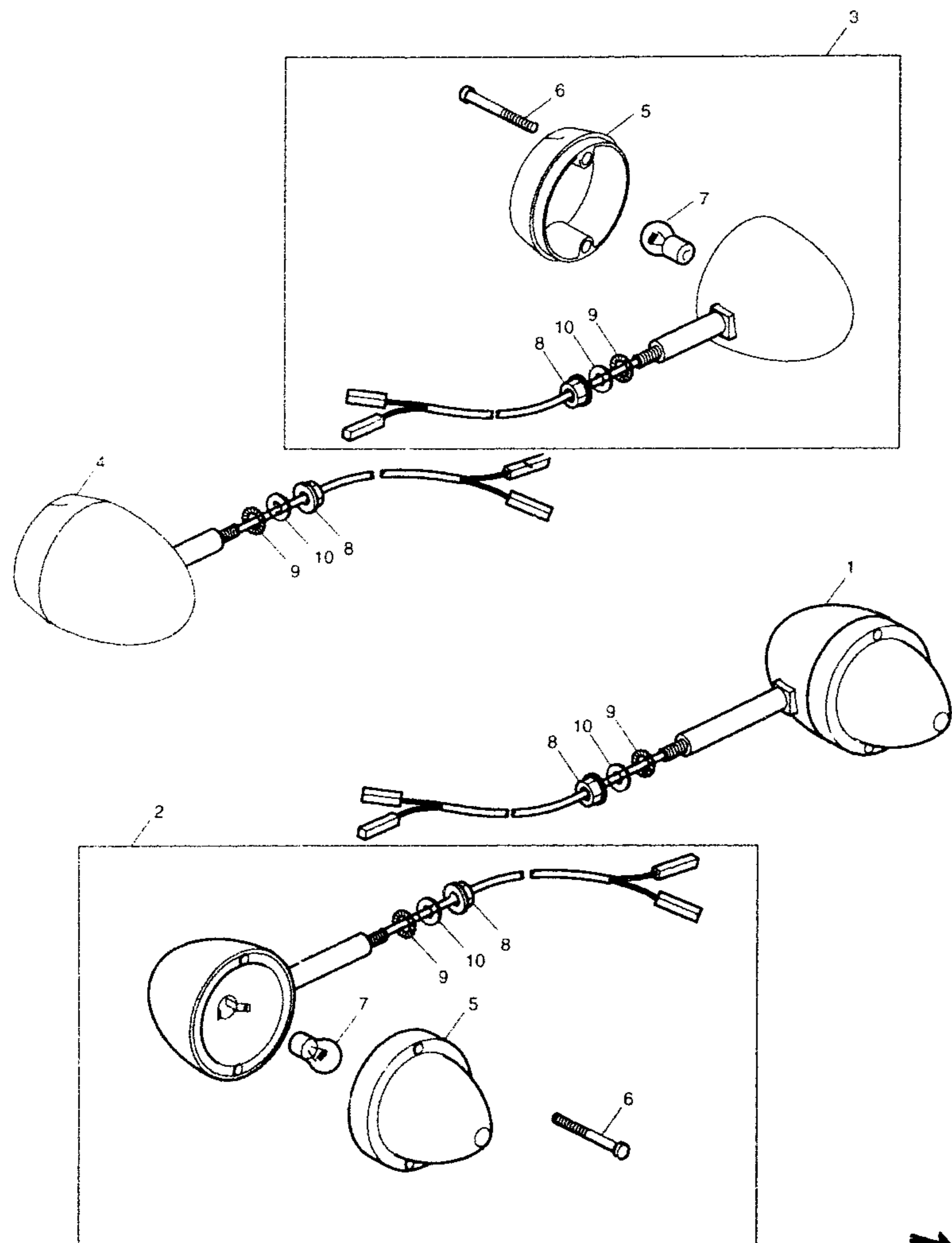


Ref	Part Number	Description	Qty	VIN Range. Market. Comments etc.
1	T2700169	TAIL LAMP ASSY	1	
2	T2700111	LENS, TAIL LAMP	1	
3	T2700112	SCREW, TAIL LAMP LENS	2	
4	2700054-T0301	BULB, 12V, 12/5W	2	
5	T2700199	BOLT, M6 x 40	3	
6	T2700168	SPACER, TAIL LAMP	1	
7	T3550205	WASHER, M6	3	
8	3350012-T0301	LOCKNUT, M6, BLACK	3	
9	T2700540	LICENCE PLATE LAMP	1	
10	T2700102	LENS, LICENCE PLATE LAMP	1	
11	T2700124	GASKET, LICENCE PLATE LAMP	1	
12	T2700128	SCREW, LICENCE PLATE LAMP	2	
13	T2700123	COVER, NUMBER PLATE LIGHT	1	
14	3350010-T0301	LOCKNUT, M5	2	
15	T2700122	BULB, 12V, 5W	1	



Indicators

Indicators



Ref	Part Number	Description	Qty	VIN Range, Market, Comments etc.
1	T2700625	INDICATOR ASSY, LHF	1	
2	T2700620	INDICATOR ASSY, RHF	1	
3	T2700635	INDICATOR ASSY, LHR	1	
4	T2700630	INDICATOR ASSY, RHR	1	
5	T2700640	LENS, INDICATOR	4	
6	T2700641	SCREW, INDICATOR LENS	8	2 PER LAMP
7	2700032-T0301	BULB, INDICATOR, 12V, 10W	4	1 PER LAMP
8	T3350070	LOCKNUT, FLANGED	4	
9	T3550138	LOCK WASHER	4	
10	T3550008	WASHER, M10	4	

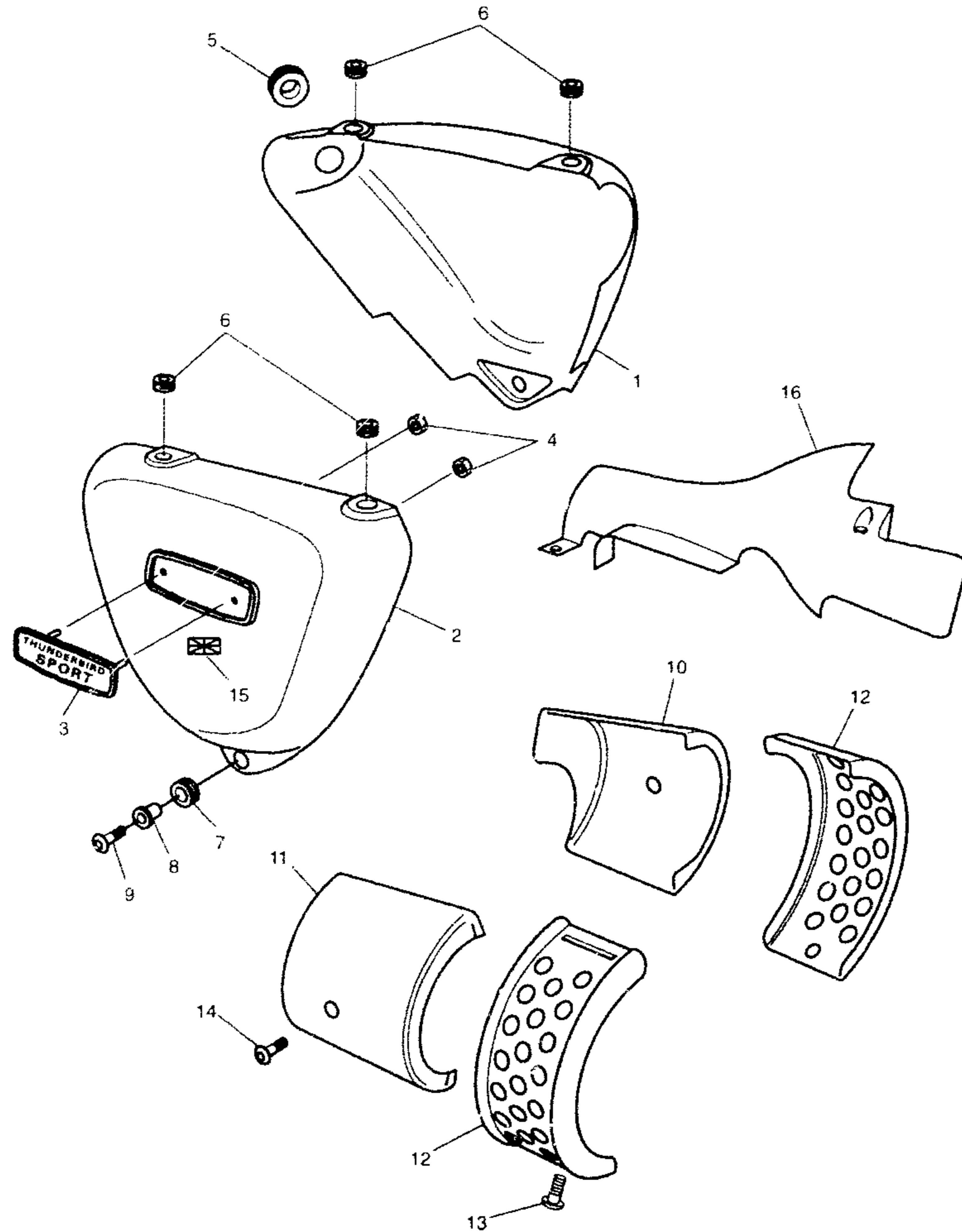


SECTION 12

COMPONENT GROUP	FRAME No:
Bodywork	Frame 12-2
Seat & Mirrors	Frame 12-3

**SEE
NEXT
FRAME**

Bodywork



Bodywork

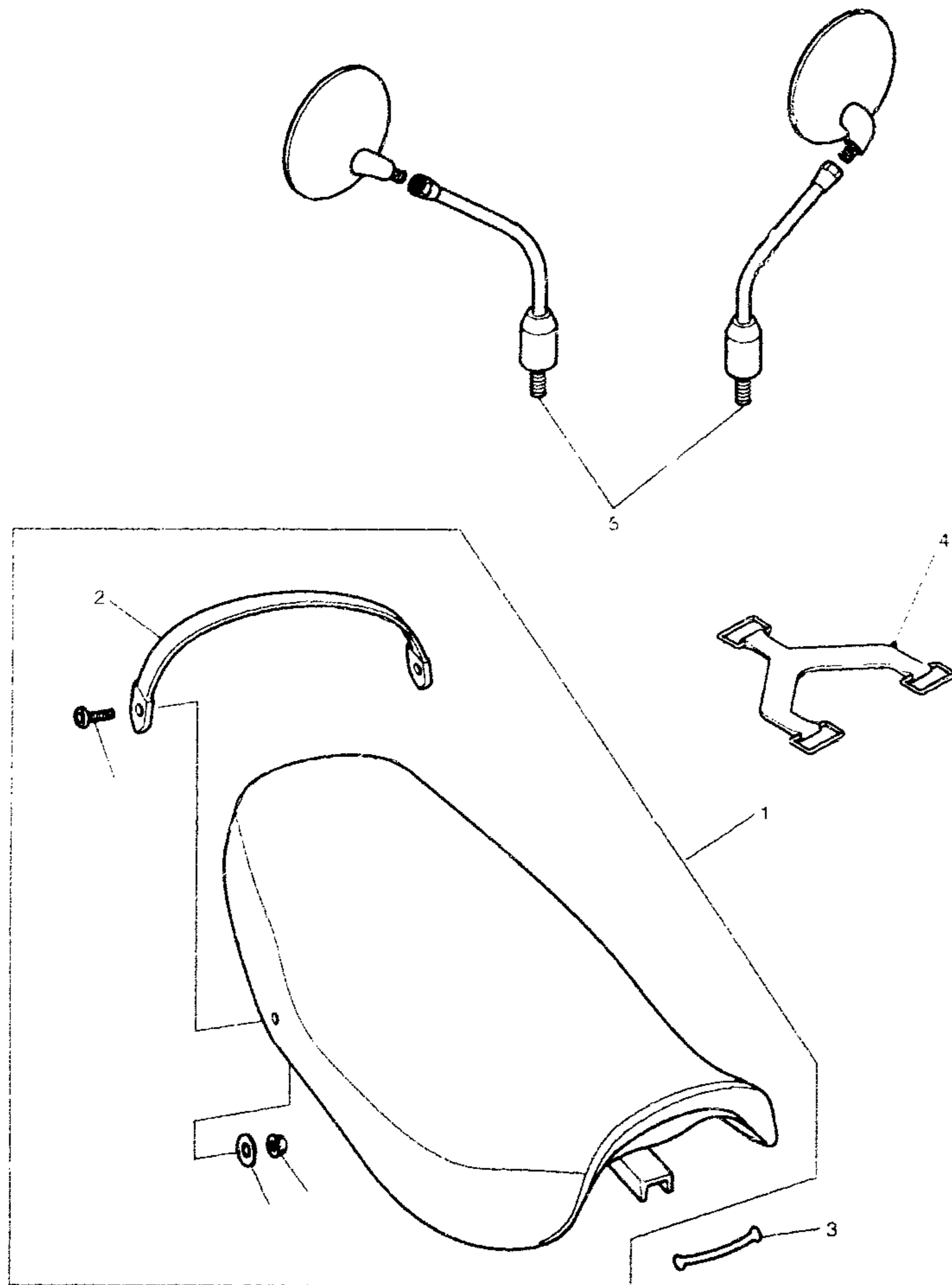
Ref	Part Number	Description	Qty	VIN Range, Market, Comments etc.
1	T2303420-FA	SIDE PANEL, LH	1	RACING YELLOW
1	T2303420-CM	SIDE PANEL, LH	1	TORNADO RED
2	T2303422-FA	SIDE PANEL, RH	1	RACING YELLOW
2	T2303422-CM	SIDE PANEL, RH	1	TORNADO RED
3	T3900088	BADGE, SIDE PANEL	2	
4	3350010-T0301	LOCKNUT, FLANGED, M5	4	
5	T3660135	SEAL, SEAT LOCK	1	
6	T3020120	GROMMET	4	
7	T3020080	GROMMET	2	
8	T3010105	FLANGED SLEEVE	2	
9	T3330555	SCREW, BUTTON HEAD, M6x20	2	
10	T2201257	COVER, AIRBOX, REAR, LH	1	
11	T2201256	COVER, AIRBOX, REAR, RH	1	
12	T2201255	COVER, AIRBOX, FRONT, CHROMED	2	
13	T3330568	SCREW, SKT HD, M5 x 8, BLK	2	
14	3330507-T0301	SCREW, TORX PH, M6 x 16	2	
15	T3900074	BADGE, UNION JACK	2	
16	T2200044	INFILL PANEL	1	



Seat & Mirrors

Seat & Mirrors

Ref	Part Number	Description	Qty	VIN Range. Market. Comments etc.
1	T2300333	SEAT, TWIN	1	
2	T2300364	SEAT STRAP	1	
3	2500013-T0301	BATTERY STRAP	1	
4	T2300694	TOOLKIT STRAP	1	
5	T2300760	MIRROR, ROUND	2	

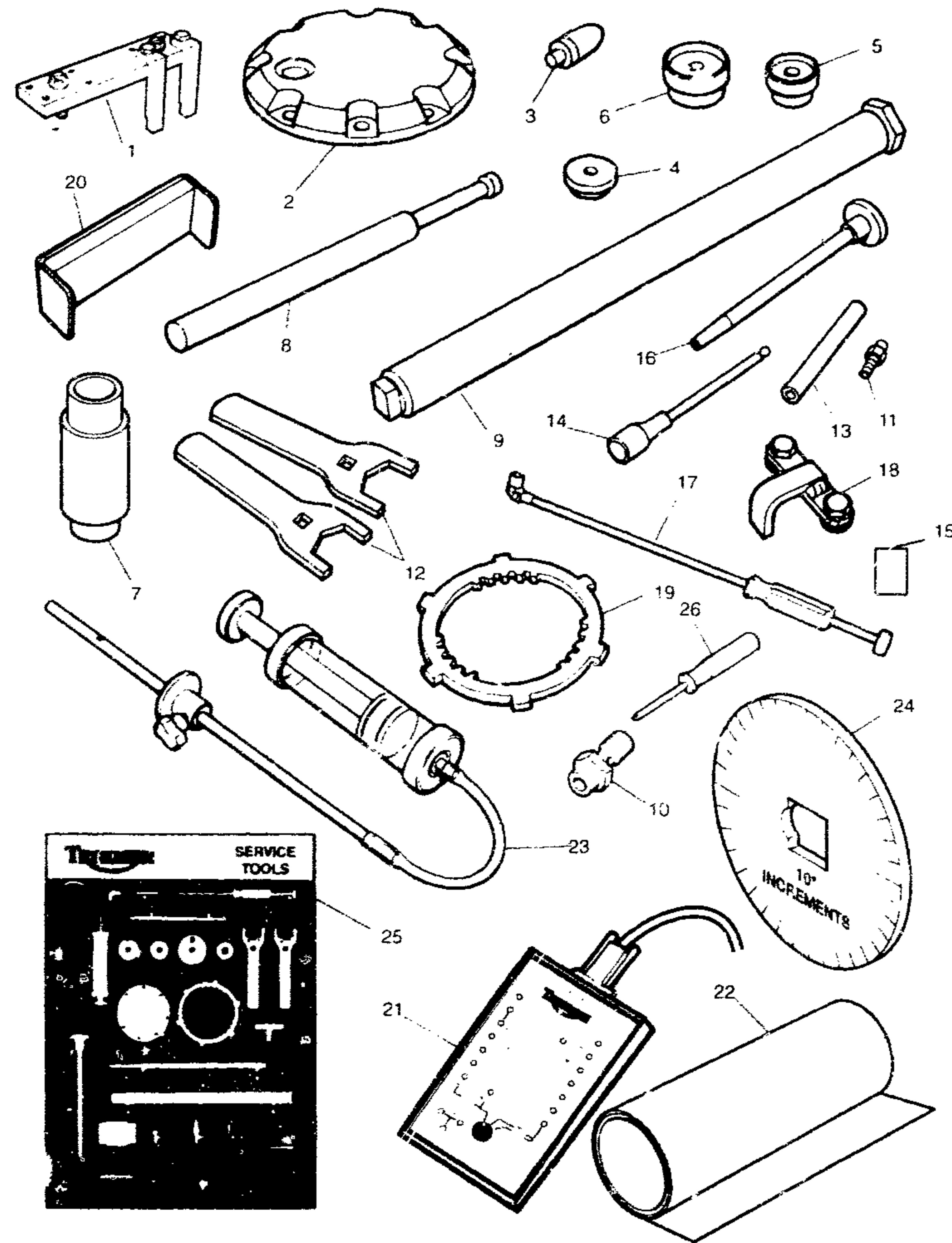


SECTION 13

COMPONENT GROUP	PAGE No:
Service Tools	13-2
Owner's Handbooks	13-3
Service Literature	13-4
Touch-Up Paint	13-5

Service Tools

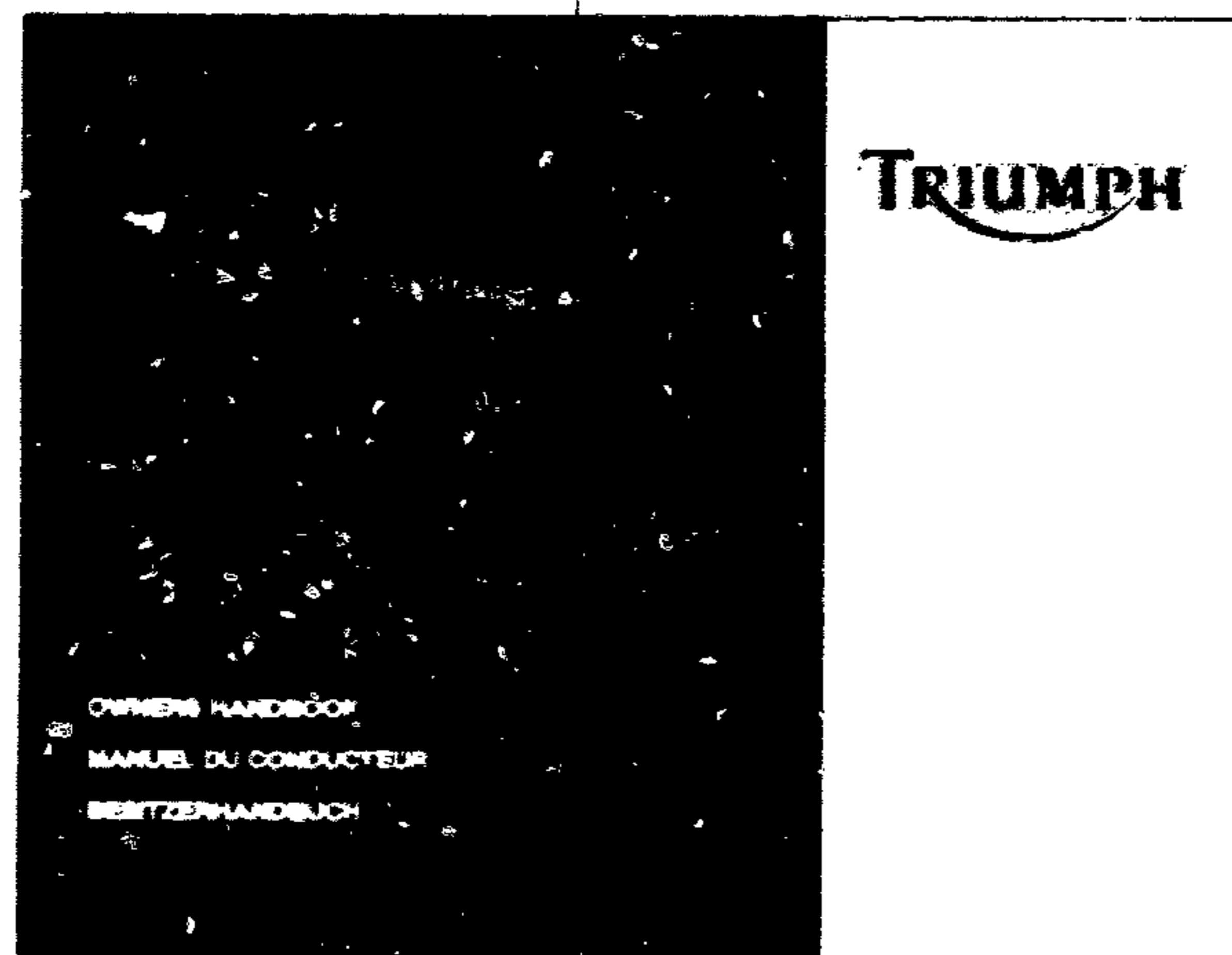
Service Tools



Ref	Part Number	Description	Qty	VIN Range. Market. Comments etc.
1	T3880012	VALVE SHIM REMOVER	1	
2	3880050-T0301	TIMING COVER	1	
3	3880060-T0301	SPINDLE ALIGNER	1	
4	3880065-T0301	HEAD BEARING ADAPTOR	1	
5	3880070-T0301	WHEEL BEARING FITMENT	1	
6	3880075-T0301	WHEEL BEARING FITMENT	1	
7	3880080-T0301	FORK SEAL AND BEARING FITMENT	1	
8	3880085-T0301	FORK ASSEMBLER / DISASSEMBLER	1	
9	3880090-T0301	FORK ASSEMBLER / DISASSEMBLER	1	
10	3880095-T0301	ADAPTOR, OIL PRESSURE GAUGE	1	
11	3880120-T0301	ADAPTOR, CARB FLOAT CHAMBER	1	
12	3880140-T0301	SPANNER, HEAD STOCK BRG	2	
13	3880125-T0301	ADAPTER, FLOAT GAUGE	1	
14	3880130-T0301	ALLEN SOCKET, 4mm BALL END	1	
15	3880150-T0301	PLASTIGAUGE	A/R	NOT ILLUSTRATED
16	3880155-T0301	FORK BUTTON REPLACER	1	
17	3880015-T0301	SCREWDRIVER, CARB ADJUSTMENT	1	
18	3880040-T0301	ALTERNATOR SHAFT LOCKING TOOL	1	
19	3880025-T0301	CLUTCH ANTI-ROTATION JIG	1	
20	T3880185	STOP PLATE, 6 PISTON CALIPER	1	
21	T3880170	IGNITION DIAGNOSTIC KIT	1	
22	T3852245	WALL CHART, OIL CIRCUIT	1	
23	T3880160	FORK FILLER/EVACUATOR	1	
24	T3880105	ANGULAR TORQUE GAUGE	1	
25	T3880139	ASSY, TOOL BOARD	1	
26	T3880145	SCREWDRIVER, TANK BADGE	1	

Owner's Handbooks

Owner's Handbooks

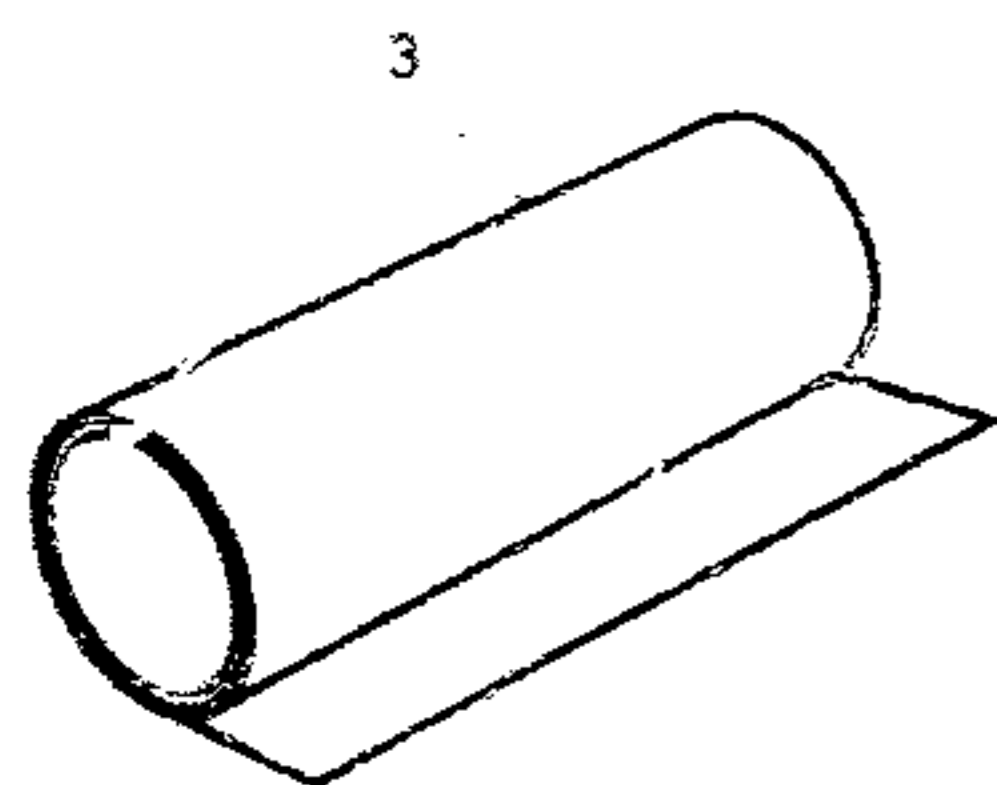
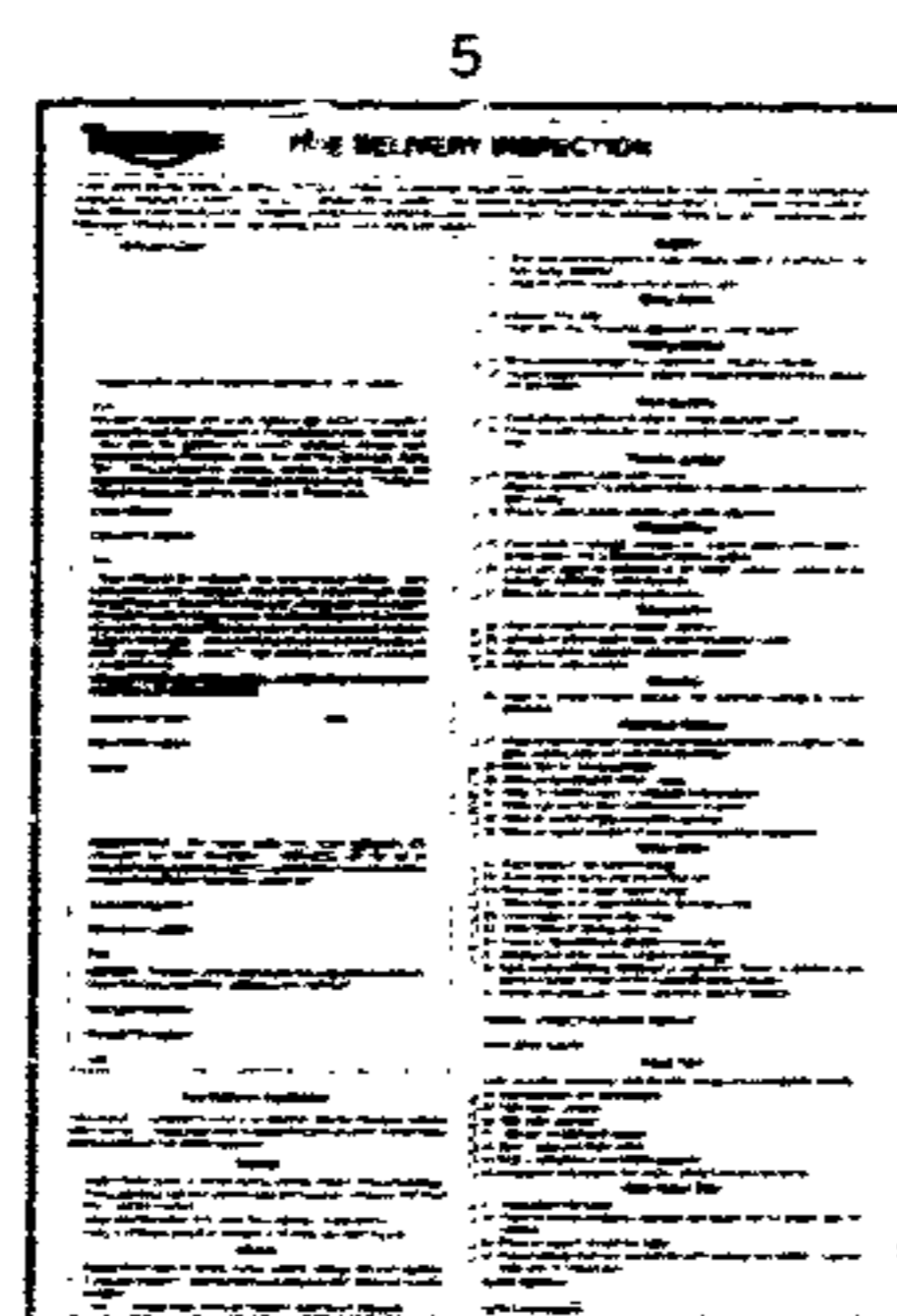
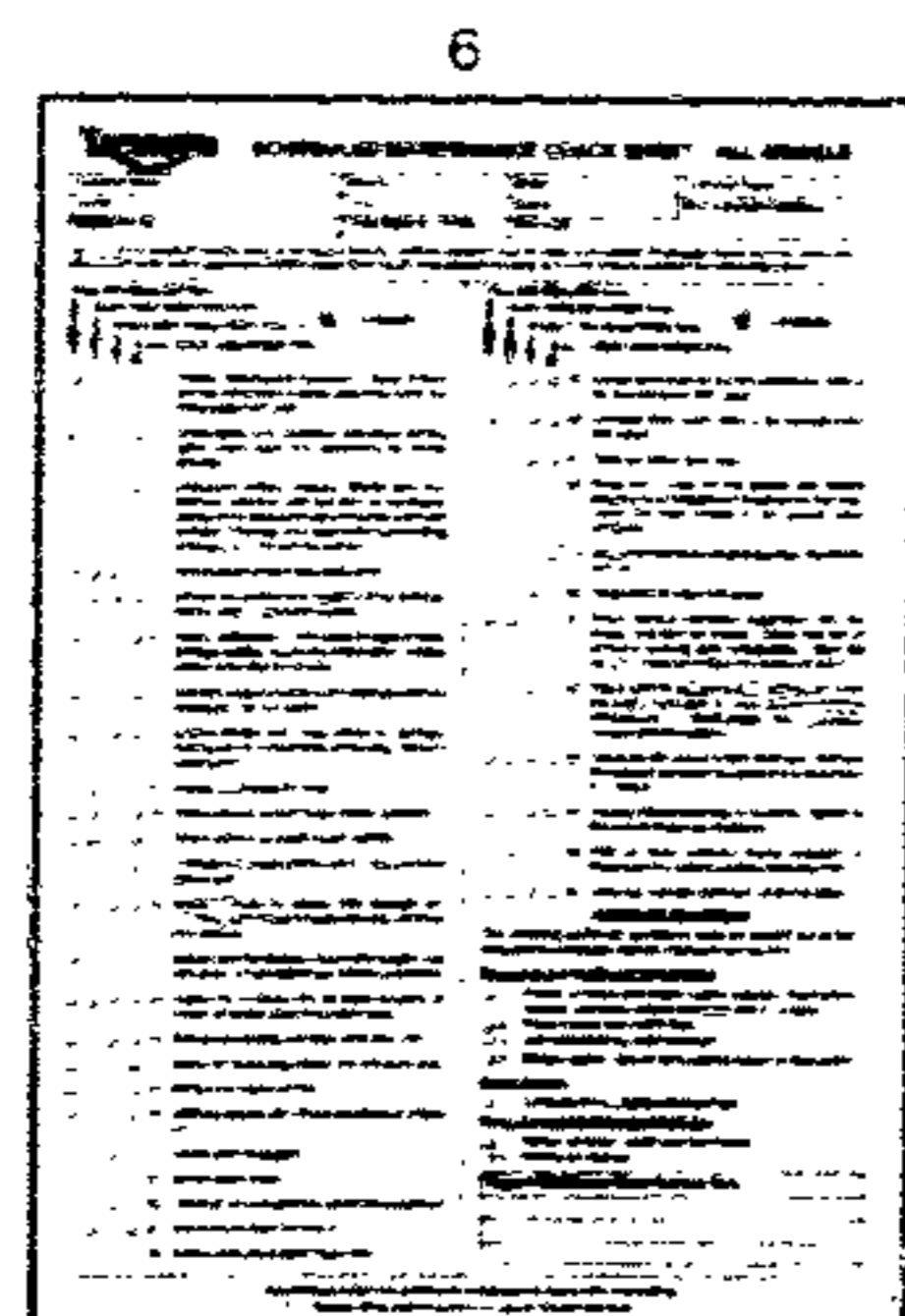
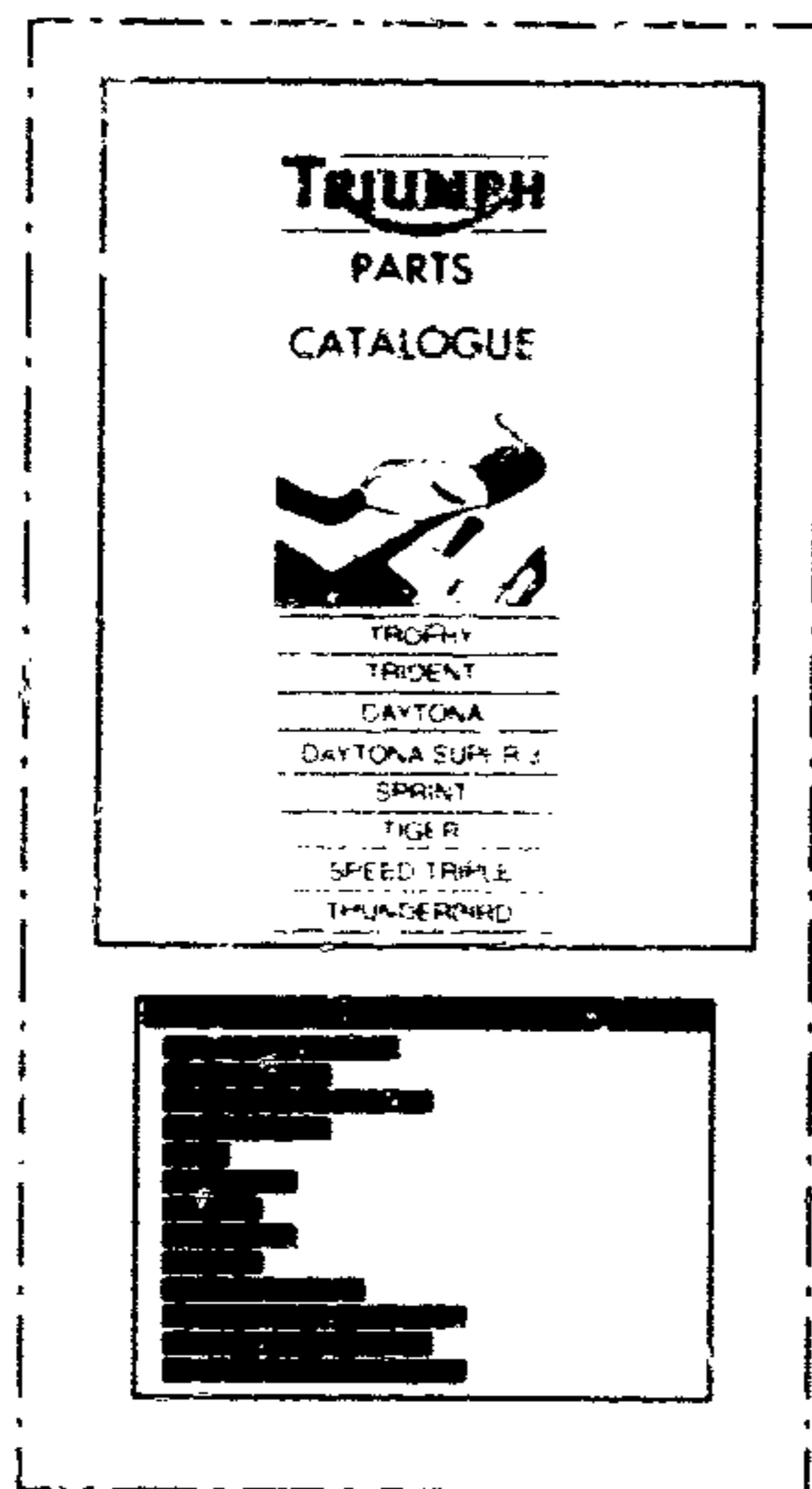
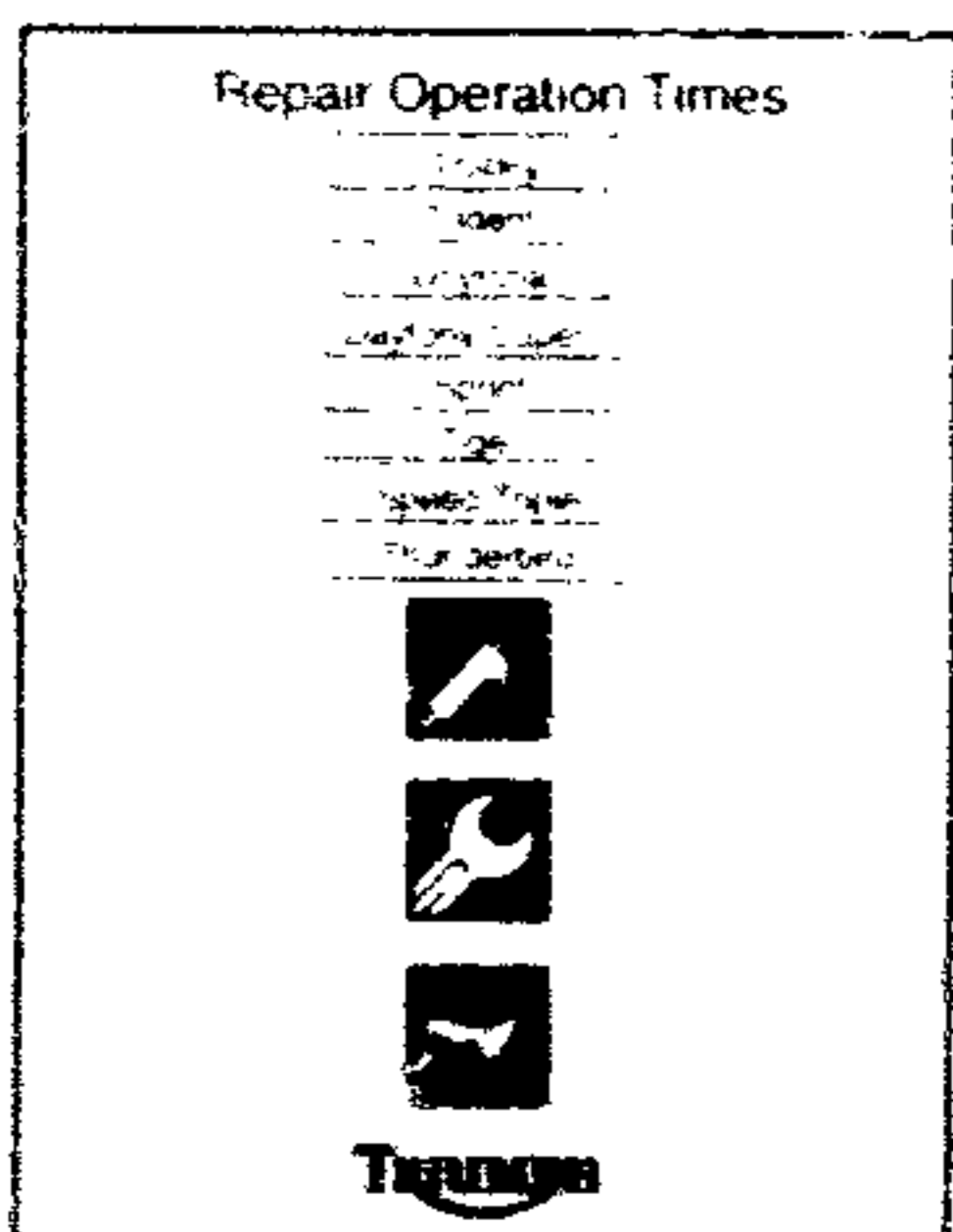
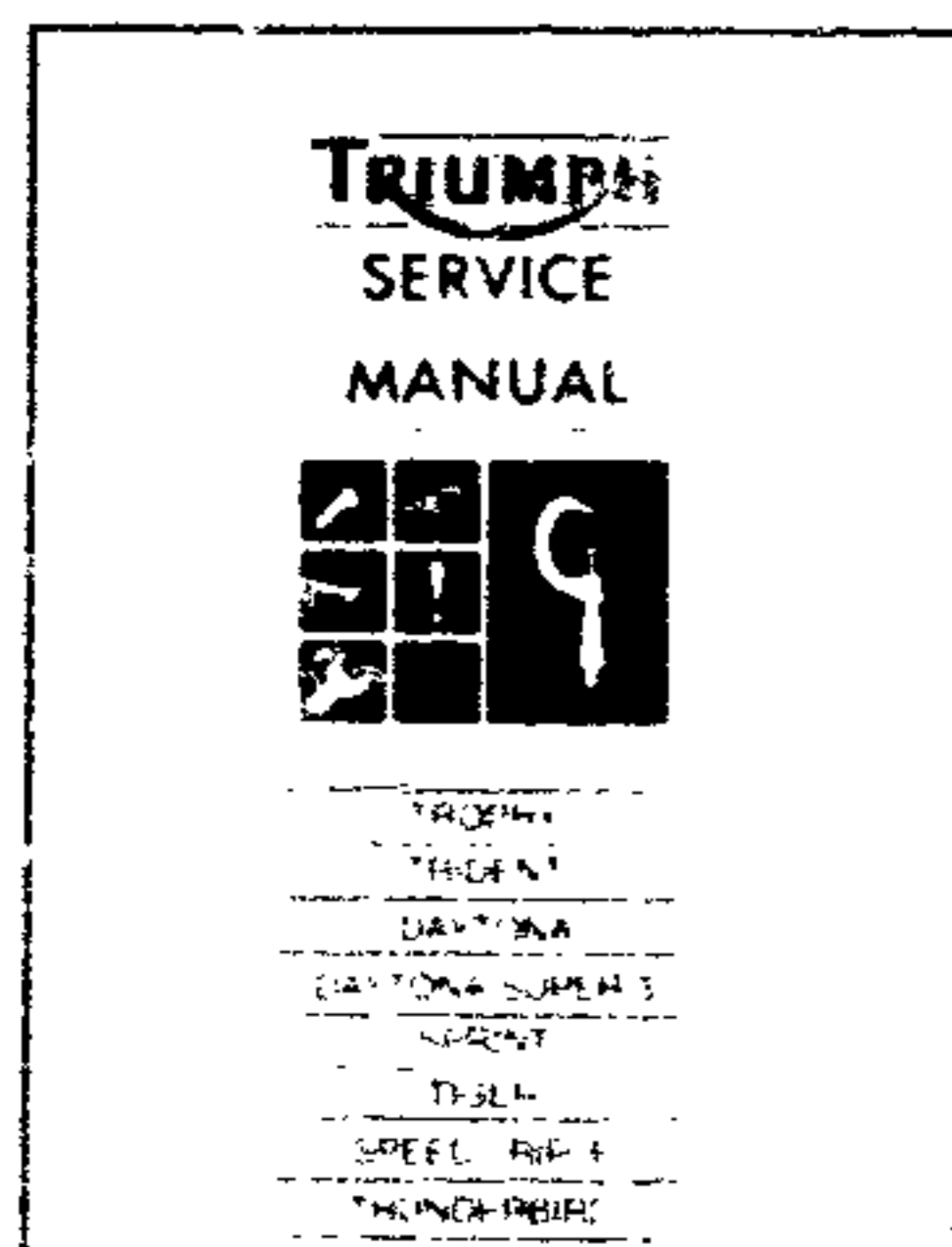


Ref	Part Number	Description	Qty	VIN Range, Market, Comments etc.
1	T3854150	HANDBOOK ASSEMBLY, UK	1	UK, NZ, AU, ZA, GR, CY, HK, MY
1	T3854155	HANDBOOK ASSEMBLY, US ENGLISH	1	US, SG
1	T3854160	HANDBOOK ASSEMBLY, FRENCH	1	FR
1	T3854165	HANDBOOK ASSEMBLY, GERMAN	1	CH, DE
1	T3854175	HANDBOOK ASSEMBLY, DUTCH	1	NL
1	T3854170	HANDBOOK ASSEMBLY, SPANISH	1	AR, ES
1	T3854180	HANDBOOK ASSEMBLY, ITALIAN	1	IT
1	T3854185	HANDBOOK ASSEMBLY, PORTUGUESE	1	BR, PT
1	T3854190	HANDBOOK ASSEMBLY, JAPANESE	1	JP
1	T3854195	HANDBOOK ASSEMBLY, CANADIAN	1	CA, ENGLISH
1	T3854196	HANDBOOK ASSEMBLY, CANADIAN	1	CA, FRENCH
1	T3854197	HANDBOOK ASSEMBLY, SWEDISH	1	SE

Service Literature

Service Literature

Ref	Part Number	Description	Qty	VIN Range, Market, Comments etc.
1	3850300-T0301	SERVICE MANUAL	A/R	ENGLISH
1	3850310-T0301	SERVICE MANUAL	A/R	GERMAN
1	3850218-T0301	SERVICE MANUAL	A/R	FRENCH
2	T3852120	PARTS CATALOGUE	A/R	MICROFICHE, NOT USA
2	T3352130	PARTS CATALOGUE	A/R	MICROFICHE, USA ONLY
3	T3852245	CHART, OIL CIRCUIT	A/R	FULL COLOUR
4	T3850805	REPAIR TIME FICHE	A/R	ENGLISH
4	T3850815	REPAIR TIME FICHE	A/R	GERMAN
4	T3850825	REPAIR TIME FICHE	A/R	FRENCH
5	3850500-T0301	PDI PAD, ENGLISH	A/R	3 PART SET, UK USE
5	3850501-T0301	PDI PAD, ENGLISH	A/R	4 PART SET, O SEAS USE
5	3850510-T0301	PDI PAD, GERMAN	A/R	
5	3850512-T0301	PDI PAD, FRENCH	A/R	
5	3850514-T0301	PDI PAD, DUTCH	A/R	
5	3850516-T0301	PDI PAD, ITALIAN	A/R	
5	3850518-T0301	PDI PAD, JAPANESE	A/R	
5	3850520-T0301	PDI PAD, SPANISH	A/R	
5	T3850522	PDI PAD, US ENGLISH	A/R	
5	3850480-T0301	PDI PAD, PORTUGUESE	A/R	
6	T3350550	SERVICE CHECK SHEET, ENGLISH	A/R	
6	T3850555	SERVICE CHECK SHEET, FRENCH	A/R	
6	T3850560	SERVICE CHECK SHEET, GERMAN	A/R	

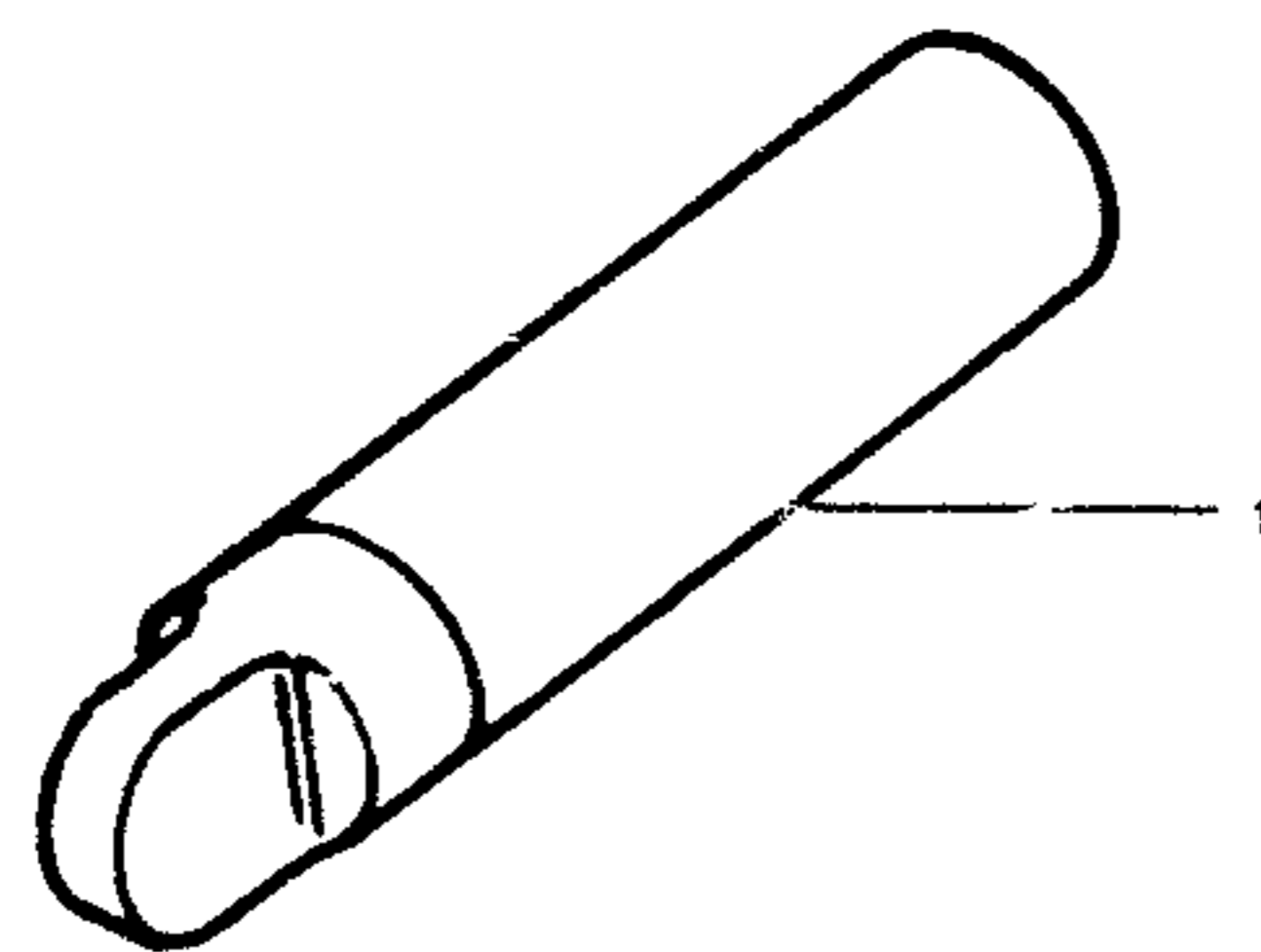


Touch-up Paint

Touch-up Paint

Ref	Part Number	Description	Qty	VIN Range, Market, Comments etc.
1	3120190-T0301	TOUCH-UP PAINT	1	CLEAR LACQUER
1	T3120300-FA	KIT, TOUCH-UP PAINT	1	RACING YELLOW
1	T3120300-PG	KIT, TOUCH-UP PAINT	1	JET BLACK
1	T3120300-CM	KIT, TOUCH-UP PAINT	1	TORNADO RED

NOTE: KIT CONTAINS COLOUR PLUS CLEAR LACQUER



Master Index

Reference following the part number indicates the page number(s) on which the part number is listed.

1100039-T0301, Frame 1-5, Frame 11-3	1140410-T0301, Frame 1-3	1180280-T0301, Frame 2-3	1200500-T0301, Frame 1-6	2020154-T0301, Frame 8-2
1100041-T0301, Frame 1-5	1140430-T0301, Frame 1-3	1180290-T0301, Frame 2-3	1210005-T0301, Frame 3-7	2020156-T0301, Frame 8-2
1110015-T0301, Frame 1-5	1150016-T0301, Frame 1-2	1180401-T0301, Frame 2-3	1210031-T0301, Frame 3-7	2020158-T0301, Frame 6-5, Frame 8-2
1110051-T0301, Frame 1-5	1160360-T0301, Frame 3-2	1180402-T0301, Frame 2-3	1210131-T0301, Frame 3-7	2020166-T0301, Frame 6-5, Frame 8-2
1110052-T0301, Frame 1-5	1160371-T0301, Frame 1-5	1180403-T0301, Frame 2-3	1210140-T0301, Frame 3-7	2020430-T0301, Frame 8-4
1110053-T0301, Frame 1-5	1160372-T0301, Frame 1-5	1180440-T0301, Frame 2-3	1210476-T0301, Frame 1-2	2020440-T0301, Frame 8-4
1110060-T0301, Frame 1-5	1160373-T0301, Frame 1-5	1180450-T0301, Frame 2-3	1220130-T0301, Frame 11-6	2020472-T0301, Frame 8-4
1110150-T0301, Frame 1-5	1160374-T0301, Frame 1-5	1180460-T0301, Frame 2-3	1220141-T0301, Frame 11-6	2020476-T0301, Frame 8-4
1120000-T0301, Frame 1-5	1160390-T0301, Frame 1-5	1180470-T0301, Frame 2-3	1220291-T0301, Frame 2-6	2020488-T0301, Frame 8-4
1120002-T0301, Frame 1-5	1160395-T0301, Frame 1-5	1180480-T0301, Frame 2-3	1220330-T0301, Frame 2-6	2020803-T0301, Frame 8-5
1120015-T0301, Frame 1-5	1170020-T0301, Frame 2-2	1180490-T0301, Frame 2-3	1230011-T0301, Frame 3-7	2023120-T0301, Frame 8-4
1120030-T0301, Frame 1-5	1170025-T0301, Frame 2-2	1180500-T0301, Frame 2-3	1230015-T0301, Frame 3-6	2023140-T0301, Frame 8-4
1120120-T0301, Frame 1-5	1170030-T0301, Frame 2-2	1180520-T0301, Frame 2-3	1230060-T0301, Frame 3-6	2040038-T0301, Frame 6-5
1130050-T0301, Frame 1-2	1170040-T0301, Frame 2-2	1180563-T0301, Frame 2-3	1260012-T0301, Frame 3-4	2040040-T0301, Frame 6-5
1130060-T0301, Frame 1-2	1170050-T0301, Frame 2-2	1180566-T0301, Frame 2-3	1260023-T0301, Frame 3-4	2040043-T0301, Frame 6-5
1130115-T0301, Frame 1-2	1170065-T0301, Frame 2-2	1180567-T0301, Frame 2-3	1260025-T0301, Frame 3-4	2040060-T0301, Frame 6-2
1130220-T0301, Frame 1-3	1170086-T0301, Frame 2-2	1190021-T0301, Frame 2-5	1260033-T0301, Frame 3-4	2040061-T0301, Frame 6-2
1130225-T0301, Frame 1-3	1170087-T0301, Frame 2-2	1190022-T0301, Frame 2-5	1260080-T0301, Frame 3-5	2040071-T0301, Frame 6-2
1130230-T0301, Frame 1-3	1170088-T0301, Frame 2-2	1190050-T0301, Frame 2-4	1290012-T0301, Frame 11-3	2040072-T0301, Frame 6-2
1130235-T0301, Frame 1-3	1170090-T0301, Frame 2-2	1190060-T0301, Frame 2-4	1290020-T0301, Frame 11-3	2040074-T0301, Frame 6-2
1130240-T0301, Frame 1-3	1170091-T0301, Frame 2-2	1190070-T0301, Frame 2-4	1290024-T0301, Frame 11-3	2040075-T0301, Frame 6-2
1130245-T0301, Frame 1-3	1170092-T0301, Frame 2-2	1190080-T0301, Frame 2-4	1300000-T0301, Frame 11-6	2040077-T0301, Frame 6-2
1130250-T0301, Frame 1-3	1170201-T0301, Frame 2-2	1190100-T0301, Frame 2-4	1310000-T0301, Frame 11-6	2040078-T0301, Frame 6-2
1130255-T0301, Frame 1-3	1170205-T0301, Frame 2-2	1190110-T0301, Frame 2-4	1310008-T0301, Frame 11-6	2040079-T0301, Frame 6-2
1130260-T0301, Frame 1-3	1170270-T0301, Frame 2-2	1190140-T0301, Frame 2-5	2000008-T0301, Frame 9-2	2040080-T0301, Frame 6-2
1130265-T0301, Frame 1-3	1170310-T0301, Frame 2-2	1190160-T0301, Frame 2-5	2001111-T0301, Frame 9-2	2040081-T0301, Frame 6-2
1130270-T0301, Frame 1-3	1170315-T0301, Frame 2-2	1190170-T0301, Frame 2-5	2010043-T0301, Frame 9-3	2040082-T0301, Frame 6-2
1130275-T0301, Frame 1-3	1170320-T0301, Frame 2-2	1190190-T0301, Frame 2-5	2012040-T0301, Frame 9-3	2040210-T0301, Frame 6-2
1130280-T0301, Frame 1-4	1170325-T0301, Frame 2-2	1190200-T0301, Frame 2-4	2012050-T0301, Frame 9-3	2040351-T0301, Frame 6-5
1130285-T0301, Frame 1-4	1170330-T0301, Frame 2-2	1190230-T0301, Frame 2-4	2012063-T0301, Frame 9-3	2043082-T0301, Frame 6-3
1130290-T0301, Frame 1-4	1170335-T0301, Frame 2-2	1190260-T0301, Frame 2-5	2012073-T0301, Frame 9-3	2043500-T0301, Frame 6-4
1140020-T0301, Frame 1-3	1180110-T0301, Frame 2-3	1190300-T0301, Frame 2-4	2012090-T0301, Frame 9-3	2056002-T0301, Frame 7-2
1140030-T0301, Frame 1-5	1180130-T0301, Frame 2-3	1190310-T0301, Frame 2-4	2012210-T0301, Frame 9-3	2056003-T0301, Frame 7-2
1140040-T0301, Frame 1-3	1180150-T0301, Frame 2-3	1190335-T0301, Frame 2-5	2020012-T0301, Frame 8-2	2056960-T0301, Frame 7-2
1140110-T0301, Frame 1-3	1180160-T0301, Frame 2-3	1190340-T0301, Frame 2-5	2020014-T0301, Frame 8-3, Frame 8-5	2056970-T0301, Frame 7-2
1140163-T0301, Frame 1-3	1180171-T0301, Frame 2-3	1190355-T0301, Frame 2-4	2020031-T0301, Frame 8-4	2056993-T0301, Frame 7-2
1140185-T0301, Frame 1-3	1180175-T0301, Frame 2-3	1200128-T0301, Frame 1-6	2020050-T0301, Frame 8-3, Frame 8-5	2059140-T0301, Frame 7-3
1140190-T0301, Frame 1-3	1180180-T0301, Frame 2-3	1200335-T0301, Frame 1-6	2020112-T0301, Frame 8-2	2059300-T0301, Frame 7-3
1140211-T0301, Frame 1-3	1180270-T0301, Frame 2-3	1200400-T0301, Frame 1-5		2059310-T0301, Frame 7-3

2059330-T0301, Frame 7-3	2700081-T0301, Frame 11-8	3200116-T0301, Frame 10-6	3330280-T0301, Frame 3-7	3500013-T0301, Frame 9-3
2059445-T0301, Frame 7-3	2700082-T0301, Frame 11-8	3200117-T0301, Frame 11-6	3330507-T0301, Frame 5-2, Frame 12-2	3500014-T0301, Frame 1-6
2079213-T0301, Frame 10-4	2700084-T0301, Frame 11-8	3200118-T0301, Frame 8-4	3330519-T0301, Frame 10-8	3500015-T0301, Frame 10-5
2080019-T0301, Frame 10-8	2700085-T0301, Frame 11-8	3200128-T0301, Frame 10-6	3330523-T0301, Frame 3-5	3500016-T0301, Frame 1-6
2080032-T0301, Frame 10-5	2700086-T0301, Frame 11-8	3210035-T0301, Frame 8-4	3330535-T0301, Frame 6-3, Frame 11-7	3550004-T0301, Frame 3-7
2080034-T0301, Frame 10-5	2700087-T0301, Frame 11-8	3250006-T0301, Frame 6-5, Frame 8-2, Frame 8-4	3330600-T0301, Frame 10-5	3550009-T0301, Frame 7-2, Frame 11-6, Frame 11-8
2080035-T0301, Frame 10-5	2700088-T0301, Frame 11-8	3300060-T0301, Frame 10-6	3330604-T0301, Frame 3-2	3550010-T0301, Frame 7-2
2080036-T0301, Frame 10-5	2700130-T0301, Frame 11-8	3300090-T0301, Frame 10-2	3350002-T0301, Frame 10-2	3550016-T0301, Frame 2-5, Frame 3-7
2080037-T0301, Frame 10-5	2700135-T0301, Frame 11-8	3330004-T0301, Frame 1-2, Frame 7-2	3350004-T0301, Frame 10-6	3550018-T0301, Frame 11-6
2080045-T0301, Frame 2-5	2790210-T0301, Frame 11-8	3330005-T0301, Frame 11-3	3350006-T0301, Frame 7-3, Frame 7-4, Frame 9-3, Frame 10-2, Frame 10-4	3550019-T0301, Frame 2-5
2080153-T0301, Frame 10-8	3000001-T0301, Frame 1-2, Frame 3-2, Frame 3-5, Frame 3-7	3330006-T0301, Frame 10-7, Frame 11-4	3350008-T0301, Frame 2-5, Frame 4-5, Frame 11-6	3550020-T0301, Frame 2-4, Frame 5-3
2100002-T0301, Frame 5-3	3000008-T0301, Frame 2-4	3330013-T0301, Frame 11-2	3350010-T0301, Frame 11-9, Frame 12-2	3550021-T0301, Frame 3-2
2100024-T0301, Frame 5-2	3000009-T0301, Frame 2-4	3330014-T0301, Frame 1-3	3350012-T0301, Frame 11-5, Frame 11-9	3550022-T0301, Frame 2-6
2100108-T0301, Frame 5-2	3000013-T0301, Frame 8-4	3330016-T0301, Frame 2-4	3350014-T0301, Frame 10-8	3550029-T0301, Frame 1-3
2100122-T0301, Frame 5-3	3000020-T0301, Frame 7-2	3330017-T0301, Frame 6-4	3350015-T0301, Frame 2-5	3550030-T0301, Frame 5-2
2101202-T0301, Frame 5-2	3000050-T0301, Frame 8-5	3330018-T0301, Frame 6-3	3350040-T0301, Frame 4-7	3550031-T0301, Frame 2-6
2102143-T0301, Frame 5-2	3000070-T0301, Frame 1-6	3330019-T0301, Frame 6-3	3350170-T0301, Frame 7-3, Frame 10-4	3550032-T0301, Frame 2-4, Frame 2-5, Frame 5-3, Frame 10-7
2102150-T0301, Frame 5-3	3000080-T0301, Frame 6-3	3330021-T0301, Frame 3-3	3350180-T0301, Frame 4-7	3550033-T0301, Frame 3-7
2200019-T0301, Frame 4-7	3010112-T0301, Frame 10-2	3330025-T0301, Frame 1-2, Frame 3-6	3450006-T0301, Frame 3-2	3550042-T0301, Frame 3-2, Frame 5-3
2200180-T0301, Frame 4-7	3010140-T0301, Frame 4-2	3330030-T0301, Frame 5-3, Frame 6-4, Frame 8-2	3450007-T0301, Frame 7-2, Frame 7-3	3550045-T0301, Frame 1-2, Frame 3-5
2200680-T0301, Frame 4-7	3020010-T0301, Frame 11-8	3330034-T0301, Frame 5-2, Frame 8-2, Frame 10-6	3450008-T0301, Frame 7-2, Frame 7-3	3550047-T0301, Frame 1-2
2300106-T0301, Frame 10-9	3020100-T0301, Frame 10-2, Frame 11-5	3330035-T0301, Frame 1-5, Frame 2-4, Frame 3-7	3450009-T0301, Frame 7-2	3550048-T0301, Frame 3-6
2300107-T0301, Frame 10-9	3020130-T0301, Frame 11-5	3330036-T0301, Frame 5-3, Frame 11-2, Frame 11-4	3450021-T0301, Frame 3-6	3550075-T0301, Frame 4-7
2300115-T0301, Frame 10-9	3020150-T0301, Frame 10-6	3330037-T0301, Frame 3-3, Frame 3-6	3450035-T0301, Frame 5-3	3550135-T0301, Frame 10-6
2300310-T0301, Frame 10-6	3020300-T0301, Frame 5-2	3330039-T0301, Frame 3-5, Frame 3-6, Frame 4-5	3450045-T0301, Frame 9-2	3550150-T0301, Frame 4-2
2400036-T0301, Frame 4-2	3020350-T0301, Frame 11-8	3330040-T0301, Frame 3-3	3450051-T0301, Frame 8-5	3550178-T0301, Frame 10-7
2400086-T0301, Frame 4-2	3050029-T0301, Frame 10-8	3330042-T0301, Frame 3-3	3450060-T0301, Frame 6-2, Frame 10-2	3550180-T0301, Frame 5-2
2500008-T0301, Frame 11-4	3050038-T0301, Frame 10-2	3330044-T0301, Frame 3-3	3450065-T0301, Frame 6-2	3550192-T0301, Frame 1-6
2500013-T0301, Frame 12-3	3050039-T0301, Frame 10-2	3330045-T0301, Frame 3-3, Frame 5-3	3450075-T0301, Frame 5-3	3550200-T0301, Frame 1-6
2500025-T0301, Frame 11-4	3100001-T0301, Frame 1-2	3330053-T0301, Frame 11-2	3450145-T0301, Frame 4-5	3550220-T0301, Frame 7-3, Frame 7-4, Frame 10-4
2500805-T0301, Frame 11-4	3100002-T0301, Frame 2-5	3330060-T0301, Frame 10-7	3450190-T0301, Frame 7-2, Frame 10-2	3550230-T0301, Frame 3-2
2500807-T0301, Frame 11-4	3120190-T0301, Frame 13-5	3330061-T0301, Frame 10-6	3450195-T0301, Frame 10-3	3550260-T0301, Frame 11-8
2500810-T0301, Frame 11-4	3150005-T0301, Frame 4-7	3330210-T0301, Frame 7-4	3500002-T0301, Frame 2-3, Frame 2-6	3550265-T0301, Frame 11-7
2700001-T0301, Frame 11-8	3200015-T0301, Frame 2-5	3330222-T0301, Frame 10-4	3500003-T0301, Frame 2-3	3600003-T0301, Frame 3-7
2700004-T0301, Frame 11-8	3200026-T0301, Frame 10-6	3330232-T0301, Frame 7-3, Frame 10-4	3500004-T0301, Frame 2-3	3600004-T0301, Frame 1-2
2700006-T0301, Frame 11-8	3200028-T0301, Frame 1-3	3330251-T0301, Frame 7-3, Frame 10-2, Frame 10-4	3500006-T0301, Frame 2-4	3600006-T0301, Frame 2-3
2700012-T0301, Frame 11-8	3200030-T0301, Frame 8-5		3500008-T0301, Frame 2-5, Frame 3-7	3600007-T0301, Frame 2-4, Frame 3-2
2700032-T0301, Frame 11-10	3200045-T0301, Frame 4-2		3500012-T0301, Frame 9-2	3600008-T0301, Frame 3-5
2700054-T0301, Frame 11-9	3200051-T0301, Frame 4-2, Frame 5-3			
2700060-T0301, Frame 11-8	3200112-T0301, Frame 4-2, Frame 10-3			
2700080-T0301, Frame 11-8				

3600012-T0301, Frame 2-2	3800025-T0301, Frame 7-3	T1130125, Frame 1-2	T1220280, Frame 2-6	T1241033, Frame 4-4
3600013-T0301, Frame 3-7	3800031-T0301, Frame 10-2	T1130160, Frame 1-2	T1220306, Frame 2-6	T1241034, Frame 4-4
3600014-T0301, Frame 3-5	3800035-T0301, Frame 2-2	T1130165, Frame 1-2	T1220325, Frame 2-6	T1241035, Frame 4-4
3600019-T0301, Frame 9-2	3800041-T0301, Frame 3-5	T1130170, Frame 1-2	T1220960, Frame 2-6	T1241036, Frame 4-4
3600020-T0301, Frame 9-2	3800050-T0301, Frame 7-3	T1130222, Frame 1-3	T1221030, Frame 2-6	T1260163, Frame 3-5
3600021-T0301, Frame 9-3	3800060-T0301, Frame 7-3	T1130227, Frame 1-3	T1230066, Frame 3-6	T1260380, Frame 3-5
3600022-T0301, Frame 9-3	3850218-T0301, Frame 13-4	T1130232, Frame 1-3	T1230074, Frame 3-6	T1260390, Frame 3-5
3600023-T0301, Frame 9-3	3850300-T0301, Frame 13-4	T1130237, Frame 1-3	T1230083, Frame 3-6	T1260701, Frame 3-5
3600025-T0301, Frame 3-6, Frame 3-7	3850310-T0301, Frame 13-4	T1130257, Frame 1-3	T1230116, Frame 3-6	T1260717, Frame 3-5
3600036-T0301, Frame 5-2	3850480-T0301, Frame 13-4	T1130262, Frame 1-3	T1240086, Frame 1-2	T1260726, Frame 3-5
3600040-T0301, Frame 7-3	3850500-T0301, Frame 13-4	T1130267, Frame 1-3	T1240680, Frame 4-3	T1260738, Frame 3-5
3600080-T0301, Frame 7-3	3850501-T0301, Frame 13-4	T1130272, Frame 1-3	T1240945, Frame 6-4	T1260779, Frame 3-5
3600100-T0301, Frame 11-6	3850510-T0301, Frame 13-4	T1130277, Frame 1-3	T1240955, Frame 4-4	T1260801, Frame 3-5
3600115-T0301, Frame 11-6	3850512-T0301, Frame 13-4	T1130282, Frame 1-4	T1241000, Frame 4-3	T1260831, Frame 3-5
3600160-T0301, Frame 5-3	3850514-T0301, Frame 13-4	T1130287, Frame 1-4	T1241001, Frame 4-3	T1260835, Frame 3-5
3620240-T0301, Frame 4-5	3850516-T0301, Frame 13-4	T1130297, Frame 1-4	T1241002, Frame 4-3	T1260840, Frame 3-5
3620400-T0301, Frame 11-4	3850518-T0301, Frame 13-4	T1140004, Frame 1-3	T1241003, Frame 4-3	T1260855, Frame 3-5
3700003-T0301, Frame 1-2	3850520-T0301, Frame 13-4	T1150309, Frame 1-2	T1241004, Frame 4-3	T1260857, Frame 3-4
3700015-T0301, Frame 6-3	3880015-T0301, Frame 13-2	T1150555, Frame 1-2	T1241005, Frame 4-3	T1260860, Frame 3-4
3700016-T0301, Frame 4-6, Frame 11-4	3880025-T0301, Frame 13-2	T1160355, Frame 1-2	T1241006, Frame 4-3	T1260861, Frame 3-4
3700020-T0301, Frame 8-2, Frame 8-5	3880040-T0301, Frame 13-2	T1160518, Frame 3-2	T1241007, Frame 4-3	T1290015, Frame 11-3
3700023-T0301, Frame 8-5	3880050-T0301, Frame 13-2	T1160620, Frame 3-2	T1241008, Frame 4-3	T1290022, Frame 11-3
3700025-T0301, Frame 6-3	3880060-T0301, Frame 13-2	T1170003, Frame 2-2	T1241009, Frame 4-3	T1290046, Frame 11-3
3700030-T0301, Frame 4-5	3880065-T0301, Frame 13-2	T1170036, Frame 2-2	T1241010, Frame 4-3	T1290063, Frame 11-3
3700040-T0301, Frame 5-3	3880070-T0301, Frame 13-2	T1170371, Frame 2-2	T1241011, Frame 4-3	T1290110, Frame 1-5, Frame 11-3
3800002-T0301, Frame 2-3	3880075-T0301, Frame 13-2	T1170605, Frame 2-2	T1241012, Frame 4-3	T2000021, Frame 9-2
3800004-T0301, Frame 2-3	3880080-T0301, Frame 13-2	T1190024, Frame 2-4	T1241013, Frame 4-3	T2000060, Frame 9-4
3800005-T0301, Frame 2-3	3880085-T0301, Frame 13-2	T1190085, Frame 2-4	T1241014, Frame 4-3	T2000061, Frame 9-4
3800006-T0301, Frame 2-3	3880090-T0301, Frame 13-2	T1190245, Frame 2-4	T1241015, Frame 4-3	T2000062, Frame 9-4
3800007-T0301, Frame 2-4	3880095-T0301, Frame 13-2	T1190325, Frame 2-4	T1241016, Frame 4-3	T2000063, Frame 9-4
3800011-T0301, Frame 2-6	3880120-T0301, Frame 13-2	T1210060, Frame 3-6	T1241017, Frame 4-4	T2000200, Frame 9-2
3800012-T0301, Frame 2-2	3880125-T0301, Frame 13-2	T1210467, Frame 1-2	T1241018, Frame 4-4	T2001155, Frame 9-2
3800014-T0301, Frame 7-2	3880130-T0301, Frame 13-2	T1210468, Frame 1-2	T1241019, Frame 4-4	T2001337, Frame 9-4
3800015-T0301, Frame 9-2	3880140-T0301, Frame 13-2	T1210484, Frame 3-2	T1241020, Frame 4-4	T2001347, Frame 9-4
3800016-T0301, Frame 9-3	3880150-T0301, Frame 13-2	T1210495, Frame 3-6	T1241022, Frame 4-4	T2001370, Frame 9-4
3800017-T0301, Frame 9-3	3880155-T0301, Frame 13-2	T1210535, Frame 3-7	T1241023, Frame 4-4	T2004165, Frame 9-2
3800018-T0301, Frame 9-3	3900072-T0301, Frame 10-2	T1210790, Frame 3-7	T1241024, Frame 4-4	T2004297, Frame 9-2
3800019-T0301, Frame 2-6, Frame 3-2	3990060-T0301, Frame 1-2	T1210805, Frame 3-7	T1241025, Frame 4-4	T2004355, Frame 9-2, Frame 9-3
3800020-T0301, Frame 2-6	3990070-T0301, Frame 3-7	T1211456, Frame 3-2	T1241028, Frame 4-4	T2004380, Frame 9-2
3800021-T0301, Frame 1-6	T1100100, Frame 1-5	T1220246, Frame 2-6	T1241030, Frame 4-4	T2004381, Frame 9-2
3800023-T0301, Frame 1-6	T1130065, Frame 1-3	T1220267, Frame 2-6	T1241031, Frame 4-4	T2010021, Frame 9-4

T2010107, Frame 9-3	T2040047, Frame 6-3	T2070951, Frame 10-2	T2100310, Frame 5-2	T2201527, Frame 4-7
T2010116, Frame 9-4	T2040128, Frame 6-3	T2070954, Frame 10-2	T2100320, Frame 5-2	T2201529, Frame 4-7
T2010127, Frame 9-4	T2040129, Frame 6-3	T2071021, Frame 10-2	T2100332, Frame 5-2	T2201561, Frame 4-7
T2010128, Frame 9-4	T2040131, Frame 6-3	T2071031, Frame 10-2	T2100335, Frame 5-2	T2201562, Frame 4-7
T2010200, Frame 9-3	T2040137, Frame 6-3	T2071050, Frame 10-2	T2100343, Frame 5-2	T2201568, Frame 4-7
T2011255, Frame 9-3	T2040143, Frame 6-3	T2071051, Frame 10-2	T2100350, Frame 5-2	T2300111, Frame 10-3
T2012111, Frame 9-3	T2040144, Frame 6-3	T2078965, Frame 10-2	T2100450, Frame 5-3	T2300113, Frame 10-9
T2012117, Frame 9-3	T2040204, Frame 6-5	T2079004, Frame 10-2	T2101314, Frame 5-2	T2300250, Frame 10-6
T2014025, Frame 9-3	T2040240, Frame 6-2	T2079006, Frame 10-2	T2101315, Frame 5-2	T2300269, Frame 10-6
T2014096, Frame 9-3	T2040550, Frame 6-3	T2079007, Frame 10-2	T2102131, Frame 5-3	T2300288, Frame 10-9
T2014097, Frame 9-3	T2040551, Frame 6-3	T2079008, Frame 10-2	T2102132, Frame 5-2	T2300311, Frame 10-9
T2014098, Frame 9-3	T2040860, Frame 6-2	T2079050, Frame 10-2	T2102134, Frame 5-2	T2300314, Frame 10-9
T2014099, Frame 9-3	T2040875, Frame 6-4	T2079055, Frame 10-2	T2102146, Frame 5-2	T2300330, Frame 10-6
T2020006, Frame 8-2	T2042020, Frame 6-2	T2079060, Frame 10-2	T2102241, Frame 5-2	T2300333, Frame 12-3
T2020007, Frame 6-5	T2042853, Frame 6-2	T2079065, Frame 10-2	T2102282, Frame 5-3	T2300338, Frame 10-7
T2020008, Frame 6-5	T2042857, Frame 6-2	T2079314, Frame 3-6	T2102283, Frame 5-3	T2300359, Frame 10-6
T2020017, Frame 8-4	T2042858, Frame 6-2	T2079515, Frame 10-4	T2102284, Frame 5-3	T2300364, Frame 12-3
T2020018, Frame 8-4	T2043475, Frame 6-3	T2080049, Frame 2-5	T2102285, Frame 5-2	T2300422, Frame 10-7
T2020077, Frame 8-3, Frame 8-5	T2043489, Frame 6-4	T2080050, Frame 2-5	T2200001, Frame 4-5	T2300630, Frame 10-6
T2020084, Frame 8-3, Frame 8-5	T2043517, Frame 6-4	T2080199, Frame 10-6	T2200044, Frame 12-2	T2300641-CM, Frame 10-6
T2020086, Frame 8-3, Frame 8-5	T2043538, Frame 6-5	T2080233, Frame 10-5	T2200052, Frame 4-7	T2300641-FA, Frame 10-6
T2020107, Frame 8-5	T2045080, Frame 6-2	T2080234, Frame 10-5	T2200185, Frame 4-7	T2300643-CM, Frame 10-6
T2020121, Frame 8-2	T2045081, Frame 6-2	T2080248, Frame 10-5	T2200204, Frame 4-7	T2300643-FA, Frame 10-6
T2020122, Frame 6-5, Frame 8-2	T2045082, Frame 6-2	T2080249, Frame 10-5	T2200214, Frame 4-5	T2300694, Frame 12-3
T2020380, Frame 8-4	T2045084, Frame 6-2	T2080279, Frame 10-8	T2200221, Frame 4-7	T2300720, Frame 10-6
T2020415, Frame 8-4	T2045085, Frame 6-2	T2080281, Frame 2-5	T2200295, Frame 4-7	T2300760, Frame 12-3
T2020426, Frame 8-4	T2045086, Frame 6-2	T2080282, Frame 2-5	T2200312, Frame 4-5	T2301033, Frame 4-2
T2020505, Frame 8-3, Frame 8-5	T2050650, Frame 7-4	T2080319, Frame 10-8	T2201200, Frame 4-5	T2301034, Frame 4-2
T2020530, Frame 8-3	T2056020, Frame 7-2	T2080323, Frame 10-3	T2201204, Frame 4-5	T2301419, Frame 10-9
T2020540, Frame 8-3, Frame 8-5	T2056712, Frame 7-2	T2080371, Frame 2-5	T2201207, Frame 4-5, Frame 10-2	T2303420-CM, Frame 12-2
T2020619, Frame 8-2	T2056724, Frame 9-3	T2080760, Frame 10-5	T2201208, Frame 4-5, Frame 10-2	T2303420-FA, Frame 12-2
T2020649, Frame 8-2	T2056760, Frame 7-2	T2080761, Frame 10-5	T2201220, Frame 4-5	T2303422-CM, Frame 12-2
T2020822, Frame 8-5	T2058014, Frame 10-6	T2080765, Frame 2-5	T2201221, Frame 4-5	T2303422-FA, Frame 12-2
T2023112, Frame 8-2	T2058018, Frame 10-6	T2100049, Frame 5-2	T2201222, Frame 4-5	T2400045, Frame 4-2, Frame 4-6
T2023115, Frame 8-4	T2059321, Frame 7-3	T2100061, Frame 5-3	T2201224, Frame 4-5	T2400046, Frame 4-6
T2023135, Frame 8-4	T2059470, Frame 7-3	T2100080, Frame 5-3	T2201225, Frame 4-5	T2400047, Frame 4-6
T2023230, Frame 8-3, Frame 8-5	T2070711, Frame 10-2	T2100102, Frame 5-2	T2201226, Frame 4-5	T2400049, Frame 4-6
T2023310, Frame 8-3	T2070712, Frame 4-2	T2100161, Frame 5-2	T2201255, Frame 12-2	T2400059, Frame 10-2
T2023355, Frame 8-5	T2070826, Frame 10-5	T2100171, Frame 5-2	T2201256, Frame 12-2	T2400082, Frame 4-6
T2025408, Frame 8-3, Frame 8-5	T2070833, Frame 10-5	T2100271, Frame 5-3	T2201257, Frame 12-2	T2400096, Frame 4-2
T2025409, Frame 8-3	T2070854, Frame 10-6	T2100272, Frame 5-3	T2201505, Frame 4-7	T2400150, Frame 4-2

T2400151, Frame 4-2	T2502092, Frame 11-7	T3010119, Frame 10-6, Frame 11-5, Frame 11-8	T3330079, Frame 4-7	T3550309, Frame 10-
T2400155, Frame 4-6	T2502093, Frame 11-7	T3010242, Frame 4-7	T3330081, Frame 4-7	T3600028, Frame 3-5
T2400160, Frame 4-6	T2502094, Frame 11-7	T3010262, Frame 5-2	T3330086, Frame 10-6	T3600200, Frame 5-3
T2401404-CM, Frame 4-2	T2502100, Frame 11-7	T3020012, Frame 10-7	T3330088, Frame 11-3	T3600210, Frame 5-3
T2401404-FA, Frame 4-2	T2502101, Frame 11-7	T3020080, Frame 12-2	T3330261, Frame 7-3	T3600230, Frame 5-3
T2500031, Frame 11-2	T2502102, Frame 11-7	T3020120, Frame 12-2	T3330419, Frame 4-5	T3620060, Frame 4-3
T2500050, Frame 11-4	T2502106, Frame 11-7	T3020380, Frame 10-6	T3330529, Frame 4-2	T3620253, Frame 4-6
T2500053, Frame 11-4	T2502107, Frame 11-7	T3050048, Frame 10-8	T3330540, Frame 5-2	T3620266, Frame 4-6
T2500086, Frame 11-4	T2700079, Frame 11-8	T3050058, Frame 1-2	T3330541, Frame 10-6	T3620268, Frame 4-6
T2500105, Frame 11-2	T2700102, Frame 11-9	T3050059, Frame 4-7, Frame 10-2	T3330550, Frame 5-2	T3620276, Frame 4-6
T2500124, Frame 11-5	T2700111, Frame 11-9	T3050061, Frame 1-5, Frame 11-3	T3330555, Frame 10-6, Frame 12-2	T3620278, Frame 4-2
T2500128, Frame 11-5	T2700112, Frame 11-9	T3050062, Frame 2-6, Frame 11-6	T3330557, Frame 4-7	T3620285, Frame 4-2
T2500164, Frame 11-4	T2700122, Frame 11-9	T3050063, Frame 2-6	T3330568, Frame 12-2	T3620291, Frame 4-6
T2500166, Frame 11-4	T2700123, Frame 11-9	T3050069, Frame 2-4	T3330604, Frame 1-6	T3620292, Frame 4-6
T2500178, Frame 11-4	T2700124, Frame 11-9	T3050071, Frame 6-3	T3330615, Frame 7-2	T3620300, Frame 5-3
T2500179, Frame 11-4	T2700128, Frame 11-9	T3050076, Frame 10-5	T3330630, Frame 4-7	T3620317, Frame 5-3
T2500440, Frame 11-2	T2700168, Frame 11-9	T3050085, Frame 8-3, Frame 8-5	T3330635, Frame 10-6	T3620325, Frame 5-3
T2500450, Frame 11-2	T2700169, Frame 11-9	T3050092, Frame 10-3	T3330636, Frame 10-6	T3620330, Frame 5-3
T2500830, Frame 11-4	T2700191, Frame 11-8	T3050130, Frame 6-2	T3332604, Frame 2-4	T3660132, Frame 4-2
T2500840, Frame 11-4	T2700199, Frame 11-9	T3050132, Frame 6-2	T3350001, Frame 5-2	T3660135, Frame 12-2
T2501131, Frame 11-7	T2700244, Frame 10-6	T3120300-CM, Frame 13-5	T3350027, Frame 7-2	T3660150, Frame 5-3
T2501133, Frame 11-7	T2700283, Frame 10-6	T3120300-FA, Frame 13-5	T3350039, Frame 7-2	T3700001, Frame 4-5
T2502013, Frame 11-7	T2700284, Frame 10-6	T3120300-PG, Frame 13-5	T3350041, Frame 10-7	T3700015, Frame 11-4
T2502025, Frame 11-7	T2700320, Frame 11-8	T3150007, Frame 5-3	T3350042, Frame 7-2	T3700018, Frame 4-5
T2502030, Frame 11-7	T2700340, Frame 11-8	T3150125, Frame 2-6	T3350044, Frame 11-8	T3700035, Frame 4-5
T2502033, Frame 11-7	T2700354, Frame 11-8	T3150129, Frame 2-6	T3350070, Frame 11-10	T3700077, Frame 5-3
T2502035, Frame 11-7	T2700364, Frame 11-8	T3200072, Frame 6-3	T3350112, Frame 2-6	T3700079, Frame 7-4
T2502046, Frame 11-7	T2700532, Frame 10-6	T3200080, Frame 5-2	T3350150, Frame 9-3	T3700087, Frame 11-8
T2502051, Frame 11-7	T2700540, Frame 11-9	T3202012, Frame 3-2, Frame 5-2	T3450145, Frame 4-6	T3700088, Frame 11-8
T2502063, Frame 11-7	T2700620, Frame 11-10	T3202016, Frame 5-2	T3450200, Frame 3-4	T3750006, Frame 2-5, Frame 8-4
T2502065, Frame 11-7	T2700625, Frame 11-10	T3202020, Frame 1-3, Frame 3-5, Frame 11-5	T3450260, Frame 4-5	T3800055, Frame 10-2
T2502073, Frame 11-7	T2700630, Frame 11-10	T3202025, Frame 3-5	T3550008, Frame 6-5, Frame 8-2, Frame 8-4, Frame 11-10	T3800085, Frame 2-3
T2502081, Frame 11-7	T2700635, Frame 11-10	T3202030, Frame 2-2, Frame 3-5	T3550082, Frame 11-3	T3850522, Frame 13-4
T2502082, Frame 11-7	T2700640, Frame 11-10	T3202040, Frame 3-5	T3550085, Frame 3-2	T3850550, Frame 13-4
T2502084, Frame 11-7	T2700641, Frame 11-10	T3202050, Frame 3-5	T3550136, Frame 11-2	T3850555, Frame 13-4
T2502085, Frame 11-7	T3000003, Frame 3-2	T3202065, Frame 5-2	T3550138, Frame 11-10	T3850560, Frame 13-4
T2502087, Frame 11-7	T3000017, Frame 8-4	T3202080, Frame 2-2	T3550175, Frame 3-6	T3850805, Frame 13-4
T2502088, Frame 11-7	T3010012, Frame 10-7	T3250009, Frame 8-2	T3550193, Frame 11-3	T3850815, Frame 13-4
T2502089, Frame 11-7	T3010105, Frame 12-2	T3330071, Frame 1-3, Frame 3-2, Frame 11-3	T3550195, Frame 10-5	T3850825, Frame 13-4
T2502090, Frame 11-7	T3010117, Frame 7-2	T3330072, Frame 11-6	T3550205, Frame 11-9	T3852120, Frame 13-4
T2502091, Frame 11-7				T3852130, Frame 13-4

T3852245, Frame 13-2, Frame 13-4

T4000625, Frame 1-5

T3854150, Frame 13-3

T3854155, Frame 13-3

T3854160, Frame 13-3

T3854165, Frame 13-3

T3854170, Frame 13-3

T3854175, Frame 13-3

T3854180, Frame 13-3

T3854185, Frame 13-3

T3854190, Frame 13-3

T3854195, Frame 13-3

T3854196, Frame 13-3

T3854197, Frame 13-3

T3880012, Frame 13-2

T3880105, Frame 13-2

T3880139, Frame 13-2

T3880145, Frame 13-2

T3880160, Frame 13-2

T3880170, Frame 13-2

T3880185, Frame 13-2

T3900001, Frame 10-3

T3900007, Frame 4-2

T3900021, Frame 11-4

T3900024, Frame 10-3

T3900026, Frame 10-3

T3900031, Frame 7-2

T3900033, Frame 4-2

T3900074, Frame 12-2

T3900086, Frame 4-2

T3900087, Frame 4-2

T3900088, Frame 12-2

T3900131, Frame 7-2

T3900136, Frame 10-3

T3900171, Frame 4-2

T3900320, Frame 7-2

T3900430, Frame 10-3

T3930085, Frame 10-3

T3930090, Frame 11-7

T3950015, Frame 11-4

T3990004, Frame 10-7

T3990052, Frame 1-2